

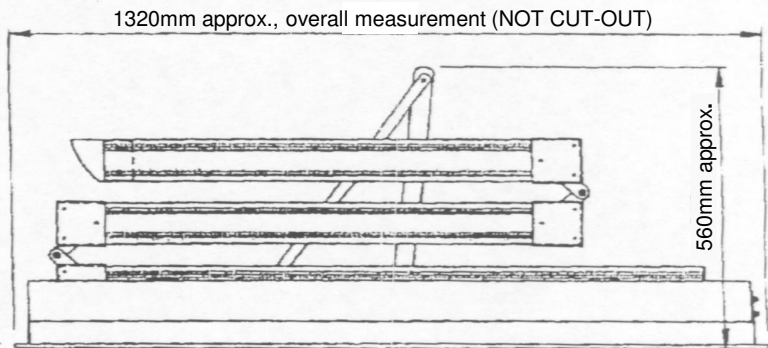
MODEL	C - H		A	B	CUT OUT SIZE
	MIN	MAX			
2153	2150	2300	TBA	TBA	1290 x 645
2345	2300	2450	TBA	TBA	1290 x 645
2460	2450	2600	TBA	TBA	1290 x 645
2680	2600	2800	TBA	TBA	1290 x 645
2830	2800	3000	TBA	TBA	1290 x 645

Clear inside dimensions:

1165mm x 455mm approx.

Ladder Width: 400mm approx.

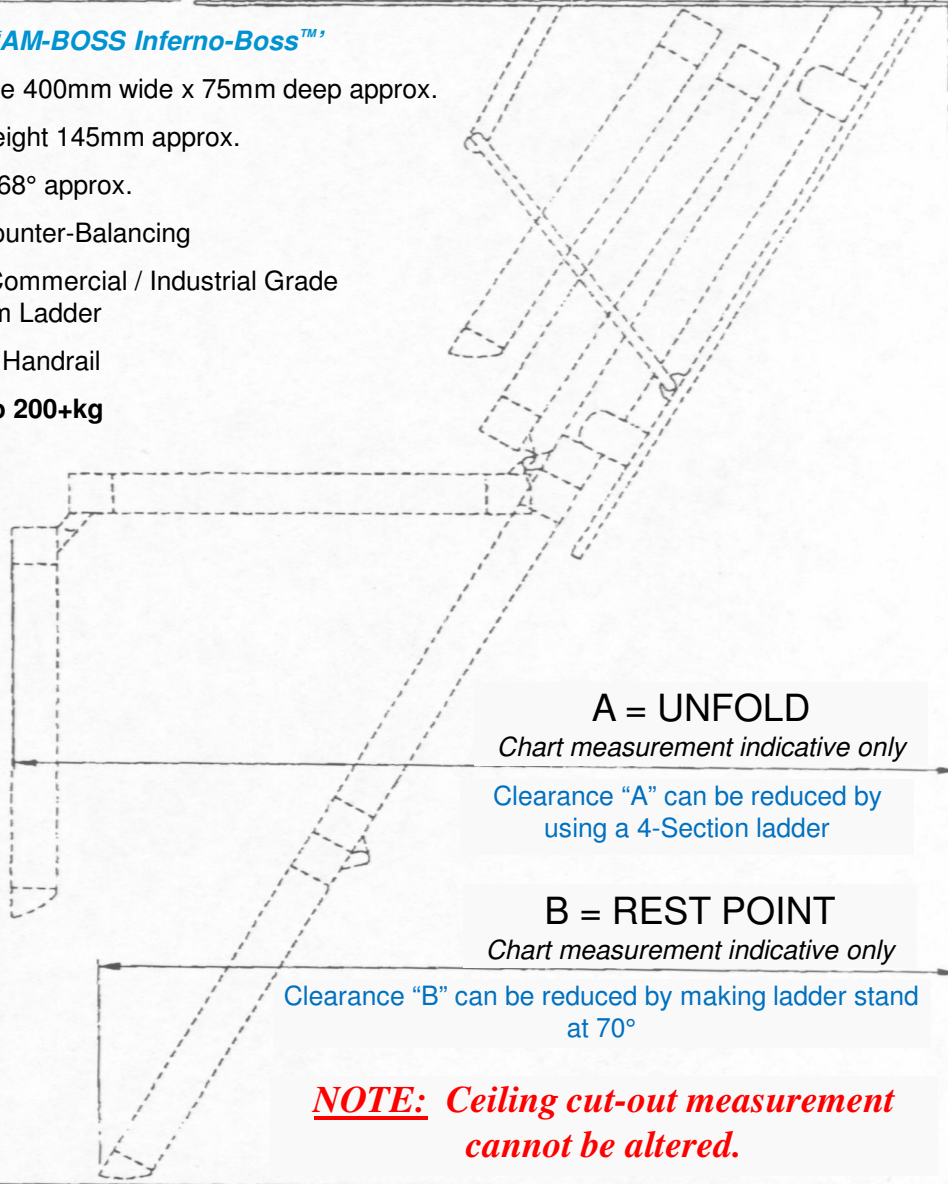
Fire Rated: AS1530.4-2005 -/90/90



'AM-BOSS Inferno-Boss™'

- ✓ Tread Size 400mm wide x 75mm deep approx.
- ✓ Frame Height 145mm approx.
- ✓ Gradient 68° approx.
- ✓ Spring Counter-Balancing
- ✓ Welded Commercial / Industrial Grade Aluminium Ladder
- ✓ Standard Handrail
- ✓ **Tested to 200+kg**

C-H



A = UNFOLD
Chart measurement indicative only

Clearance "A" can be reduced by using a 4-Section ladder

B = REST POINT
Chart measurement indicative only

Clearance "B" can be reduced by making ladder stand at 70°

NOTE: Ceiling cut-out measurement cannot be altered.

AM-BOSS ACCESS LADDERS PTY. LTD



MANUFACTURERS OF CEILING LADDERS FOR DOMESTIC COMMERCIAL AND INDUSTRIAL APPLICATIONS

TELEPHONE:

(03) 9366 0899

FAX:

(03) 9367 9673

ACCESS LADDER SPECIFICATIONS

TYPE : ACCESS BOSS

2460 - 2680 - 2830 -
3020 - 3240 - 3460 -
3680 - 3840 -

AMBOSS LAD / SPEC.DWG

REV 1