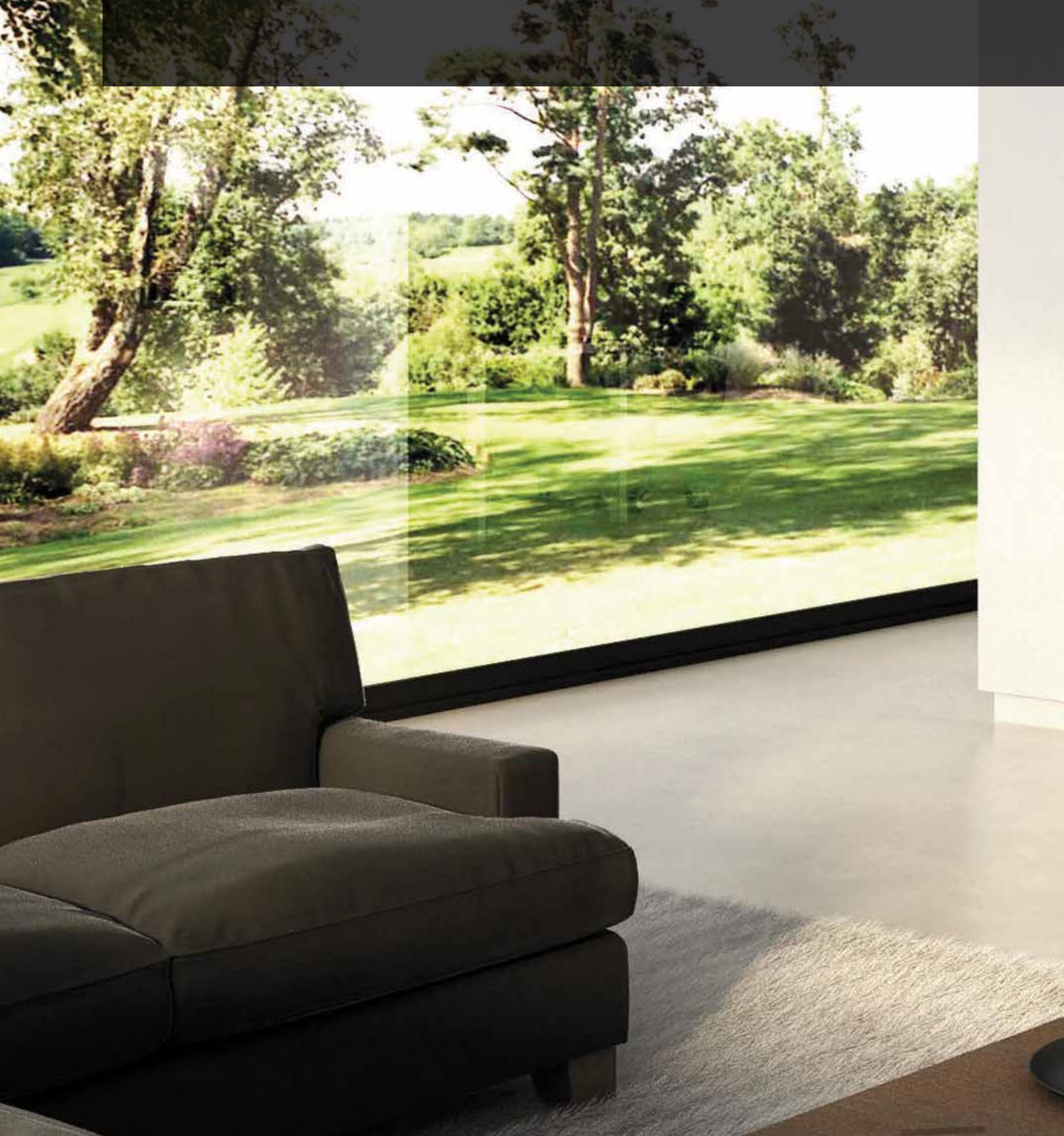




# SCULPT™

FIREPLACE  
COLLECTION





a new dimension in fireplace design



Intent on providing Australians with a dynamic collection of designer fires, Sculpt Fireplace Collection has gathered not only Europe's best fireplace designs, but also fireplaces that have been manufactured with high quality materials and the best raw steel, that are built to last. We introduce to you our prestigious French fireplace manufactures, Axis and Seguin. Both integrate innovation, technology, environmental impact, operational expertise and quality, whilst holding design at the forefront. Proudly hand crafted in France, these fireplaces add a whole new dimension to your home by creating the maximum of comfort while capturing the perfect place for social gatherings and special moments.

From the choice of cast-iron and steel, to the meticulous hand assembly of the firebox, Seguin Duteriez artisans perpetuate the "Duty of Quality" with a simple objective: "Make the fireplace the heart of your home"

# Advantages of Axis & Seguin



DAFS - (Double Airflow System)

Our Axis and Seguin fireplaces are equipped with patented DAFS technology which aims to inject oxygen at a determined level inside of the combustion chamber. The supply of new oxygen will burn gases and smoke not yet burnt, preventing them from being released into the flue system. The outcome is a longer fire term, cleaner glass, and total combustion of fire wood. (excludes Seguin Multivision models)



Use as a Slow Combustion or Open Fireplace

All Axis and Seguin wood fireplaces can be used as either a slow combustion heater for practical purposes, with a longer fire term or open fireplace for that ambient open fire experience.



Based in the Rhone-Alpes region, Axis specialises in manufacturing designer wood fireplaces that are high quality, energy efficient, elegant and contemporary. Axis inbuilt fireplaces are made of high quality steel and are fitted with refractory fire bricks that come with a ten year guarantee. Discover our collection of Axis which combine efficiency, design and style. Axis can truly reinvent your home. Glass dimensions range from 900mm - 1700 metres in length.



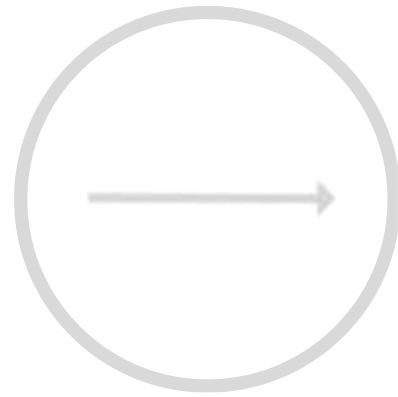
Refractory Fire Bricks

All Axis fireboxes are made up of interlocking bricks that are manually assembled and have been baked at 1350°. The patented refractory bricks ensure the accumulation, transmission and continuous release of heat over a superior period of time even after the fire has dissipated. During a fire the bricks will be heated to an approximate temperature of 600°C. When the fire dies the bricks will take around 6-10 hours to cool down, which allows Axis units to have an even larger heating capacity than most fireplaces. It is because of this that Axis fireplaces are one of the only suppliers in Australia to have a 10 year firebrick warranty, proving the longevity of these flawlessly manufactured fireplaces.



Handmade in France

Our exclusive Axis & Seguin fireplaces are hand made and crafted by artisan engineers in France, with Axis being ranked as the number one specialist for steel fireboxes in Europe. The traditional hand made methods provide the highest quality finish, use the most advanced technology & purest materials.



Outdoor Air Intakes

Optional extra outside air connection is recommended for 6 + star rated or tightly sealed homes, where no oxygen is drawn from inside your home. This provides better efficiency and more effective combustion, thus not affecting the air quality in your home. Not available on Seguin Multivision 8000 models.



Seguin products are the result of more than 40 years experience in the production of cast iron fireplaces. Choose Seguin for the quality, for the technical assets, for the comfort, for the patented DAFS technology, for the guarantee, for the design and for the possibilities. From single sided to the World's first four sided unit.



100% Pure Cast Iron

To reach outstanding performance - all Seguin inserts are manufactured with 100% pure cast iron only - by using the highest quality raw materials no warping of the firebox will ever occur and retention of heat is maximised due to the large fins on the outside of the firebox. It is because of this type of artisan engineering that allows Seguin to comfortably guarantee their fireboxes for ten years.

# AXIS H1200



The artisan engineered Axis H1200 is a French panoramic steel firebox with breathtaking sentiments and an unbelievable heating performance. With it's manually assembled interlocking refractory firebricks and DAFS (Double Air Flow System) technology, the Axis H1200 inbuilt wood fireplace has been mastered to perfection. The large glass viewing area also gives this French made wood heater a luxurious contemporary feel that is much sought-after.



Can be used as an open fire  
or slow combustion heater



DAFS  
(Double Air Flow System)



Phenomenal fire brick  
heat retention



Includes fire grate  
and ash pan

heats up to 25 - 30 squares\*



# AXIS H1600



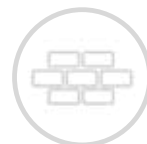
The handmade excellence of the Axis H1600 wood fireplace is much desired to those who seek the elegance of a panoramic wood heater combined with an unbelievable heating performance. This French made wood heater with manually assembled interlocking firebricks will retain and radiate heat into the room even when the fire has recently dissipated. With its long glass viewing area, you'll be able to watch a dazzling performance of the dancing flames.



Can be used as an open fire or slow combustion heater



DAFS  
(Double Air Flow System)



Phenomenal fire brick  
heat retention



Includes fire grate  
and ash pan

heats up to 30 - 35 squares\*

# AXIS H1600XXL Australia's Largest Wood Heater



The large panoramic H1600XXL takes the title for being Australia's largest inbuilt wood fireplace, with an unbelievable 1.7m glass viewing area. With flexibility to be used as an open fireplace or slow combustion wood heater, this designer statement is sure to be a focal point in any grand space. Featuring an exceptional, hand-made French panoramic steel firebox with manually assembled interlocking heavy duty fire bricks that retain the heat well after the fire has dissipated.



Can be used as an open fire or slow combustion heater



DAFS (Double Air Flow System)



Phenomenal fire brick heat retention



Includes fire grate and ash pan

heats up to 40+ squares\*



# AXIS H1200DS



The artisan engineered Axis H1200DS double sided inbuilt wood fireplace is the perfect divider between two living spaces. View a spirited display of ambient flames that will dance continuously from this double sided masterpiece all winter long. A personal gallery awaits from any point in the room with the Axis H1200DS double sided inbuilt wood fireplace. The large glass viewing area also gives this French hand made wood heater a luxurious contemporary feel that is much sought-after.



Can be used as an open fire or slow combustion heater



Double sided glass viewing area



Phenomenal fire brick heat retention



Includes fire grate and ash pan

heats up to 20 squares\*

# AXIS H1600DS



Let the Axis H1600DS double sided wood heater make an elegant statement in any open plan space. This slow combustion wood heater discreetly emphasises the art of perfect design and mastered engineering. With its long glass viewing area, you'll be able to watch the dancing flames all winter long. A panoramic wood heater combined with an excellent performance and double sided viewing area.



Can be used as an open fire or slow combustion heater



Double sided glass viewing area



Phenomenal fire brick heat retention



Includes fire grate and ash pan

heats up to 25 squares\*

Australia's Largest Double Sided Wood Heater **AXIS H1600XXL DS**



Being the largest double sided fireplace available in Australia, the Axis H1600XXL DS, has an unbelievable see-through 1.7m glass viewing area. With flexibility to be used as an open fireplace or slow combustion wood heater, this is true opulence with a contemporary edge all in a timeless design. The Axis H1600XXL DS features an exceptional panoramic steel firebox with manually assembled interlocking heavy duty fire bricks that retain the heat well after the fire has dissipated.



Can be used as an open fire or slow combustion heater



Double sided glass viewing area



Phenomenal fire brick heat retention



Includes fire grate and ash pan

heats up to 30 squares\* - Australia's Largest Double Sided Wood Heater



# AXIS H1200VLG



The Axis H1200 VLG two sided wood fireplace, with left hand side glass viewing area, is a display of geometric versatility and artisan engineered construction and will exude mesmerizing comfort and unsurpassed design excellence from any angle. With it's playful design the Axis H1200VLG will bring polished urban to any space. The large glass viewing area also gives a luxurious contemporary feel that is much sought-after.



Can be used as an open fire  
slow combustion heater



DAFS  
(Double Air Flow System)



Phenomenal fire brick  
heat retention



Includes fire grate  
and ash pan

heats up to 20 squares\*

# AXIS H1200VLD



The Axis H1200 VLD is the right hand side glass viewing area option that is a display of geometric versatility and artisan engineered construction and will exude mesmerizing comfort and unsurpassed design excellence from any angle. With it's playful design the Axis H1200VLD will bring polished urban to any space. The large glass viewing area also gives a luxurious contemporary feel that is much sought-after.



Can be used as an open fire or slow combustion heater



DAFS (Double Air Flow System)



Phenomenal fire brick heat retention



Includes fire grate and ash pan

heats up to 20 squares\*

# AXIS H12003V



Spectacular from any angle the Axis H1200 3V three sided wood fireplace will create an unsurpassed ambience with its unique characteristics of being either an open fireplace or slow combustion heater with its unconventional glass viewing area. It's high quality three sided panoramic steel firebox and elegant glass door makes the aesthetics of the luxurious Axis H1200 3V three sided wood fireplace a real show stopper in any designer space.



Can be used as an open fire or slow combustion heater



DAFS (Double Air Flow System)



Phenomenal fire brick heat retention



Includes fire grate and ash pan

heats up to 20 squares\*





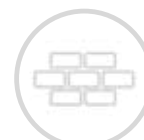
Making a distinct impression. The Axis EPI950 is smart beauty that will appeal to any interior living space, making for a grand entry. Humbly sophisticated, the high quality three sided glass viewing area achieves to both heat a home and create an astute impression upon entry and of course coming with the high end, luxury designer style and the latest efficiencies from Europe expertly offered by the Axis range.



Can be used as an open fire or slow combustion heater



DAFS  
(Double Air Flow System)



Phenomenal fire brick heat retention



Includes fire grate and ash pan

# SEGUIN EUROPA 7 SERIES



Europa 7 Evolution



Europa 7 Evolution Black Line



Europa 7 Evolution Lift



Contemporary meets classic with the Seguin Europa 7 series. These beautifully crafted pure cast iron wood fires are sure to add breath taking ambiance in any stylish home whether installed as a built-in or freestanding fireplace. Hand made in France, the undeniable quality of the Seguin Europa 7 series will also aim to please aesthetically and burn effectively. The Europa 7 series comes with options of swing door mechanism, swing & lift door mechanism or swing & lift door mechanism with black line printed glass.



100% pure cast iron firebox



Install freestanding or inbuilt



DAFS Double Air Flow System



Includes fire grate and ash pan

heats up to 15- 25 squares\*

# SEGUIN EUROPA 7 VL SERIES



Europa 7 Evolution VL Left Black



Europa 7 Evolution VL Right Black



Europa 7 Evolution VL Left Black Line Lift



Contemporary meets classic with the Seguin Europa 7 VL series, comes with black line glass, swing and lift door mechanism and corner glass side viewing area options. These beautifully crafted pure cast iron wood fires are sure to add breath taking ambiance in any stylish home whether installed as a built-in or freestanding fireplace. The undeniable quality of the Seguin Europa 7 VL series will also aim to please aesthetically regardless of its location and is made to burn effectively.



100% pure cast iron firebox



Install freestanding or inbuilt



DAFS Double Air Flow System



Includes fire grate and ash pan

heats up to 15 - 20 squares\*



# SEGUIN MULTIVISION 8000 SERIES



Multivision 8000 Double Sided



Multivision 8000 Three Sided



Multivision 8000 Four Sided

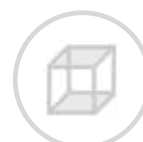
The Seguin Multivision 8000 pure cast iron series comes with options like two, three and Australia's only four sided wood heater. These beautifully crafted, pure cast iron wood fires are sure to add breath taking ambiance in any stylish home whether installed as a built-in or freestanding fireplace.



100% pure cast iron firebox



Install freestanding or inbuilt



Available in multiple viewing areas



Hand made in the south of France

heats up to 15 - 20 squares\*

# SEGUIN SUPER 9 SERIES



Super 9



Super 9 Black Line



Super 9 Black Lift



Pioneering a cast iron slow combustion wood fire to look like a modern minimalist wood heater that blends into any interior is no lack of achievement – The Seguin Super 9 series is a humble element that achieves this in any living space. Together with its patented DAFS (Double Air Flow System) and pure cast iron firebox, this series is the largest in our cast iron firebox range and accomplishes designer fireplace excellence. Available in swing door mechanism, swing & lift door mechanism, and swing & lift door mechanism with black silk screen printed glass.



100% pure cast iron firebox



Install freestanding or inbuilt



DAFS Double Air Flow System



Includes fire grate and ash pan

heats up to 20 - 30 squares\*

# SEGUIN VISIO 8 PLUS SERIES



Visio 8 Black Line



Visio 8 Black Line Lift

You'll never yearn again for complete harmony in your interior space once attaining one of the Seguin Visio 8 Plus fireplaces. Made in Randan, France, and constructed with pure cast iron, these classic fire boxes come equipped with the Seguin air wash system that keeps the glass clean, you'll be wanting to stay next to your new Seguin Visio 8 all winter long. You can attain this heater in options with swing door mechanism & black line glass or with swing & lift door mechanics and black line glass.



100% pure cast iron firebox with ceramic firebrick lining



Install freestanding or inbuilt



DAFS Double Air Flow System



Includes fire grate and ash pan

heats up to 25 - 35 squares\*



# SEGUIN VISIO 8 PLUS IHS



The much anticipated wait of the worlds first remote control wood heater is now available in Australia, the Seguin Visio 8 Plus IHS cheminee fireplace with autopilot Intelligent Heating System technology. This patented revolutionary device will regulate the combustion inside of your wood heater and adjust the volume of air in the firebox, thus enabling you to set a desired room temperature and optimize the fire term. The remote control will even beep when you need to add more firewood. Now you can light your fire as normal and let the wood heater take care of the rest.



IHS  
Intelligent Heating System



Artisan engineering



Australia's first  
remote controlled  
wood heater

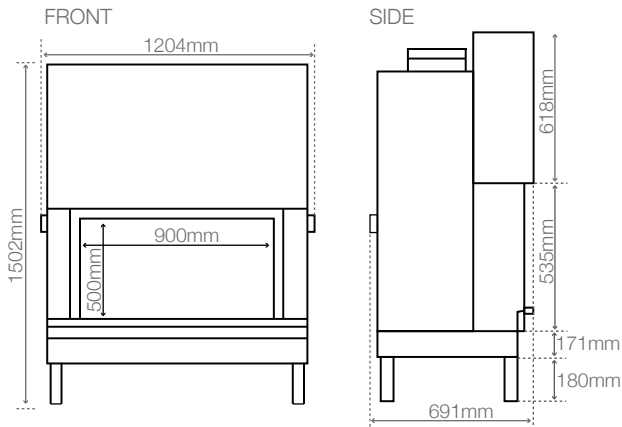


Hand made in the  
Rhone-Alpes  
region of France

heats up to 25 - 35 squares\*

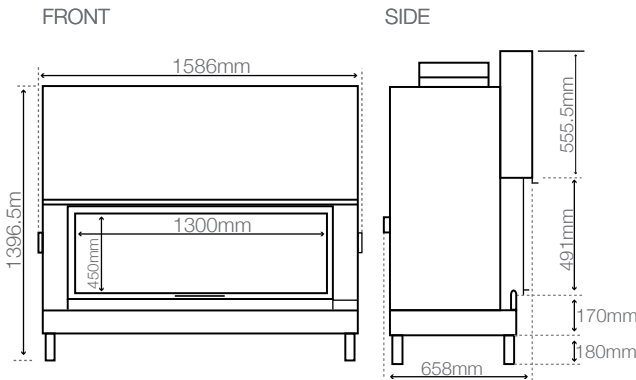
# AXIS specifications

## AXIS H1200



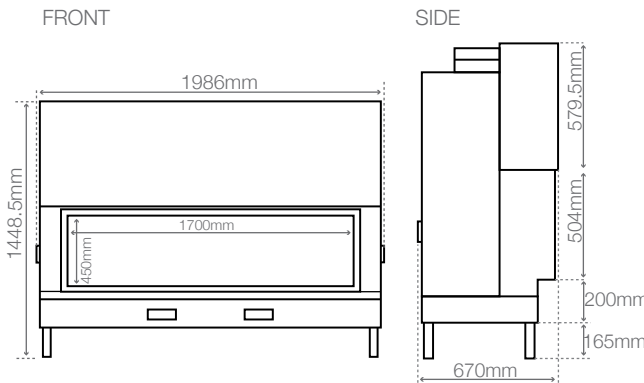
**Material:** Solid steel firebox with 60mm thick fire bricks  
**kW output:** 30kW  
**Heating Capacity:** Up to 250-300m<sup>2</sup>  
**Facade:** Clean frameless design (trim options available)  
**Glass door:** Secure lift up & swing door  
**Minimum flue height:** 5.5m  
**Flue sizes:** 250mm, 300mm, 350mm  
**Includes hot air transfer kit:** Two ducts and two registers  
**Outside air kit:** Recommended for well insulated homes  
**Warranty:** 10 year firebrick warranty\*  
**Weight:** 380kg  
**Hearth dimension:** min 500mm in front of any part of fireplace, 250mm on either side & 75mm thick

## AXIS H1600



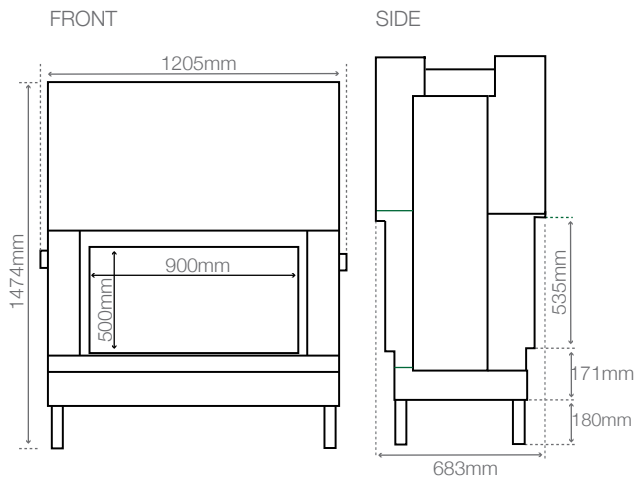
**Material:** Solid steel firebox with 60mm thick fire bricks  
**kW output:** 35kW  
**Heating Capacity:** Up to 300-350m<sup>2</sup>  
**Facade:** Clean frameless design (trim options available)  
**Glass door:** Secure lift up & swing door  
**Minimum flue height:** 6m  
**Flue sizes:** 300mm, 350mm, 400mm  
**Includes hot air transfer kit:** Two ducts and two registers  
**Outside air kit:** Recommended for well insulated homes  
**Warranty:** 10 year firebrick warranty\*  
**Weight:** 460kg  
**Hearth dimension:** min 500mm in front of any part of fireplace, 250mm on either side & 75mm thick

## AXIS H1600XXL



**Material:** Solid steel firebox with 60mm thick fire bricks  
**kW output:** 40kW+  
**Heating Capacity:** Up to 350-400m<sup>2</sup>  
**Facade:** Clean frameless design (trim options available)  
**Glass door:** Secure lift up door or forward levering  
**Minimum flue height:** 6m  
**Flue dimensions:** 300mm, 350mm, 400mm  
**Includes hot air transfer kit:** Two ducts and two registers  
**Outside air kit:** Recommended for well insulated homes  
**Warranty:** 10 year firebrick warranty\*  
**Weight:** 530kg  
**Hearth dimension:** min 500mm in front of any part of fireplace, 250mm on either side & 75mm thick

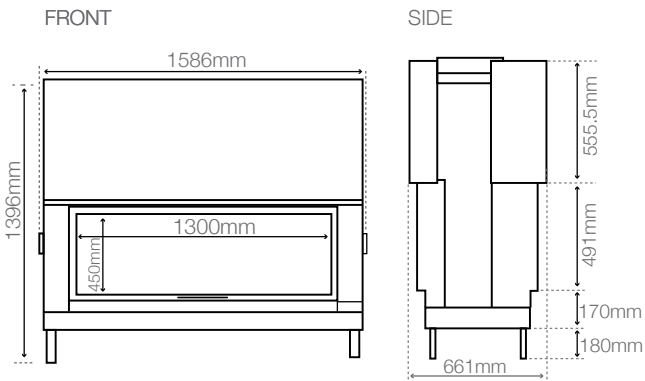
## AXIS H1200DS



**Material:** Solid steel firebox with 60mm thick fire bricks  
**kW output:** 20kW  
**Heating Capacity:** Up to 200m<sup>2</sup>  
**Facade:** Clean frameless design (trim options available)  
**Glass door:** Secure lift up & swing door  
**Minimum flue height:** 5.5m  
**Flue sizes:** 250mm, 300mm, 350mm  
**Includes hot air transfer kit:** Two ducts and two registers  
**Outside air kit:** Recommended for well insulated homes  
**Warranty:** 10 year firebrick warranty\*  
**Weight:** 380kg  
**Hearth dimension:** min 500mm in front of any part of fireplace, 250mm on either side & 75mm thick

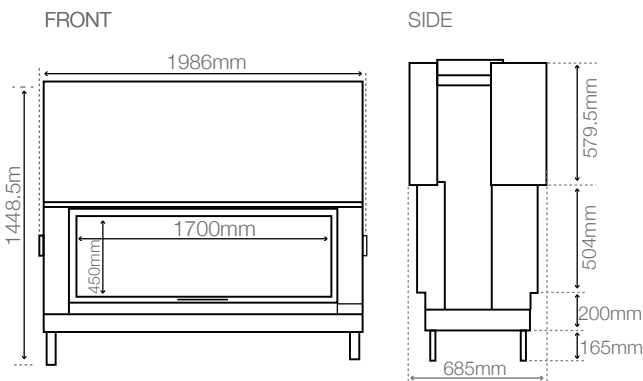
# AXIS specifications

## Axis H1600DS



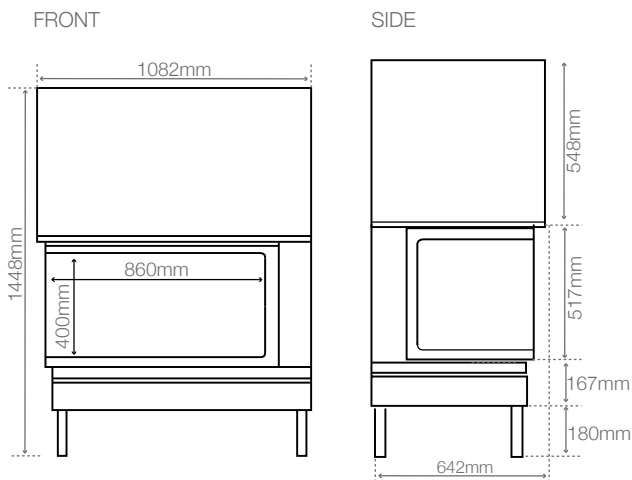
**Material:** Solid steel firebox with 60mm thick fire bricks  
**kW output:** 25kW  
**Heating Capacity:** Up to 250m<sup>2</sup>  
**Facade:** Clean frameless design (trim options available)  
**Glass door:** Secure lift up & swing door  
**Minimum flue height:** 6m  
**Flue sizes:** 300mm, 350mm, 400mm  
**Includes hot air transfer kit:** Two ducts and two registers  
**Outside air kit:** Recommended for well insulated homes  
**Warranty:** 10 year firebrick warranty\*  
**Weight:** 460kg  
**Hearth dimension:** min 500mm in front of any part of fireplace, 250mm on either side & 75mm thick

## Axis H1600XXLDS



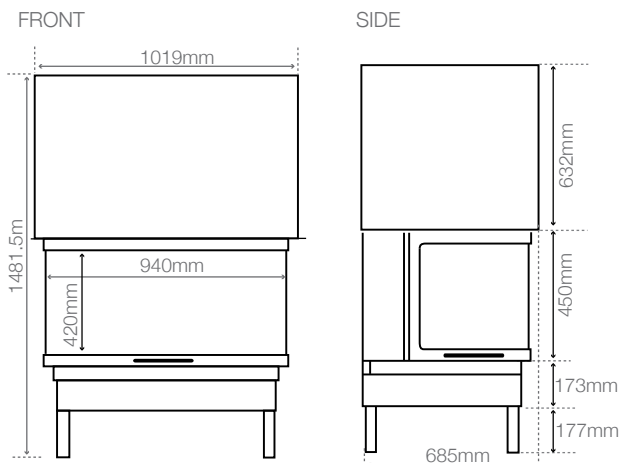
**Material:** Solid steel firebox with 60mm thick fire bricks  
**kW output:** 30kW  
**Heating Capacity:** Up to 300m<sup>2</sup>  
**Facade:** Clean frameless design (trim options available)  
**Glass door:** Secure lift up door, or forward levering  
**Minimum flue height:** 6m  
**Flue sizes:** 300mm, 350mm, 400mm  
**Includes hot air transfer kit:** Two ducts and two registers  
**Outside air kit:** Recommended for well insulated homes  
**Warranty:** 10 year firebrick warranty\*  
**Weight:** 530kg  
**Hearth dimension:** min 500mm in front of any part of fireplace, 250mm on either side & 75mm thick

## Axis H1200VLD/VLG



**Material:** Solid steel firebox with 60mm thick fire bricks  
**kW output:** 20kW  
**Heating Capacity:** Up to 200m<sup>2</sup>  
**Facade:** Clean frameless design (trim options available)  
**Glass door:** Secure lift up & swing door  
**Minimum flue height:** 5.5m  
**Flue sizes:** 250mm, 300mm, 350mm  
**Includes hot air transfer kit:** Two ducts and two registers  
**Outside air kit:** Recommended for well insulated homes  
**Warranty:** 10 year firebrick warranty\*  
**Weight:** 380kg  
**Hearth dimension:** min 500mm in front of any part of fireplace, 250mm on either side & 75mm thick

## Axis H12003V

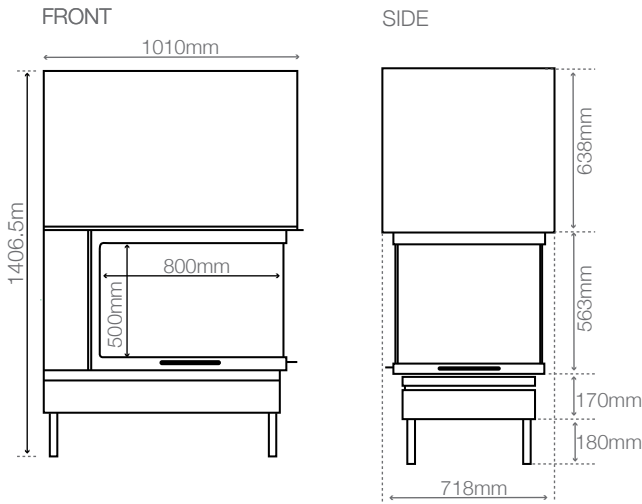


**Material:** Solid steel firebox with 60mm thick fire bricks  
**kW output:** 20kW  
**Heating Capacity:** Up to 200m<sup>2</sup>  
**Facade:** Clean frameless design (no trim)  
**Glass door:** Secure lift up & swing door  
**Minimum flue height:** 5.5m  
**Flue dimensions:** 250mm, 300mm, 350mm  
**Inner flue dimension:** 250mm  
**Includes hot air transfer kit:** Two ducts and two registers  
**Outside air kit:** Recommended for well insulated homes  
**Warranty:** 10 year firebrick warranty\*  
**Weight:** 380kg  
**Hearth dimension:** min 500mm in front of any part of fireplace, 250mm on either side & 75mm thick



# AXIS specifications

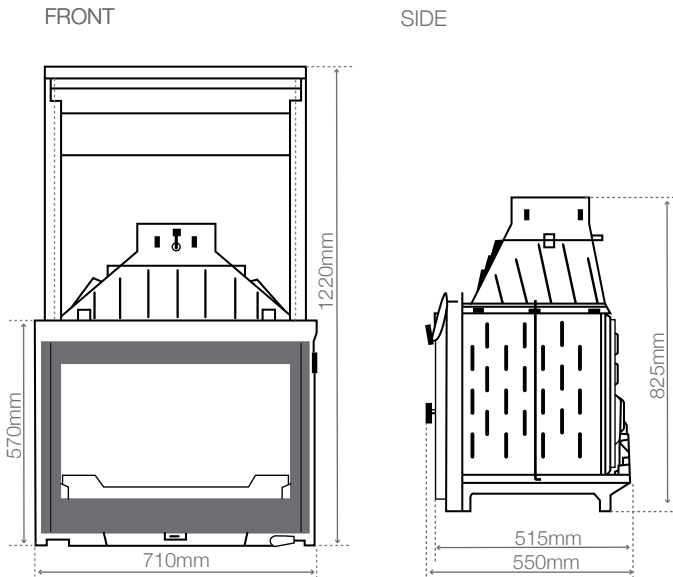
AXIS EPI950



- Material:** Solid steel firebox with 60mm fire bricks
- kW output:** 20kW
- Heating Capacity:** Up to 150-200m<sup>2</sup>
- Facade:** Clean frameless design (trim options available)
- Glass door:** Secure lift up door & swing
- Minimum flue height:** 6m
- Flue sizes:** 280mm, 330mm, 380mm
- Includes hot air transfer kit:** Two ducts and two registers
- Outside air kit:** Recommended for well insulated homes
- Warranty:** 10 year firebrick warranty\*
- Weight:** 330kg
- Hearth dimension:** min 500mm in front of any part of fireplace, 250mm on either side & 75mm thick

# SEGUIN specifications

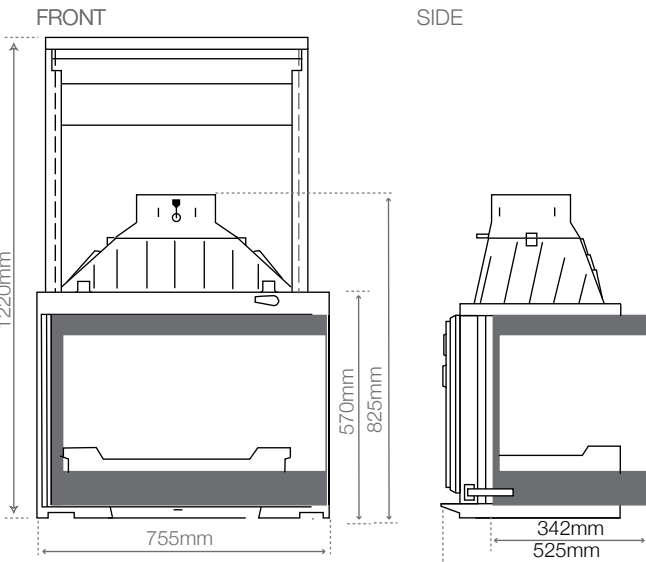
Europa 7 Evolution Series



- Material:** 100% Pure cast, 8-12mm thickness
- kW output:** 17.9kW
- Heating Capacity:** Up to 150-250m<sup>2</sup>
- Facade:** Clean frameless design (trim options available)
- Glass door:** Secure swing or lift door opening system
- Minimum flue height:** 4m
- Flue sizes:** 200mm, 250mm, 300mm
- Includes hot air transfer kit:** A duct and a register
- Outside air kit:** Recommended for well insulated homes
- Warranty:** 10 year firebox warranty\*
- Weight:** 170kg
- Hearth dimension:** min 500mm in front of any part of fireplace, 250mm on either side & 75mm thick\*

\*Dimensions shown include the lift up door option, exclude these dimensions for swing door version. \*Hearth dimensions are for inbuilt models only

Europa 7 Evolution VL Series



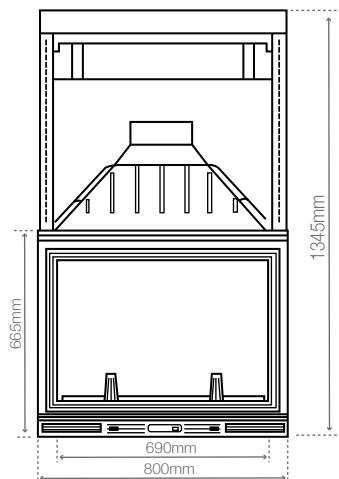
- Material:** 100% Pure cast iron, 8-12mm thickness
- kW output:** 17.9kW
- Heating Capacity:** Up to 150-200m<sup>2</sup>
- Facade:** Clean frameless design (trim options available)
- Glass door:** Secure swing or lift up door system
- Minimum flue height:** 4m
- Flue dimensions:** 200mm, 250mm, 300mm
- Includes hot air transfer kit:** A duct and a register
- Outside air kit:** Recommended for well insulated homes
- Warranty:** 10 year firebox warranty\*
- Weight:** 170kg
- Hearth dimension:** min 500mm in front of any part of fireplace, 250mm on either side & 75mm thick\*

\*Dimensions shown include the lift up door option, exclude these dimensions for swing door version. \*Hearth dimensions are for inbuilt models only

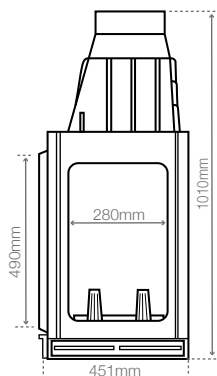
# SEGUIN specifications

## Multivision 8000 Series

FRONT



SIDE

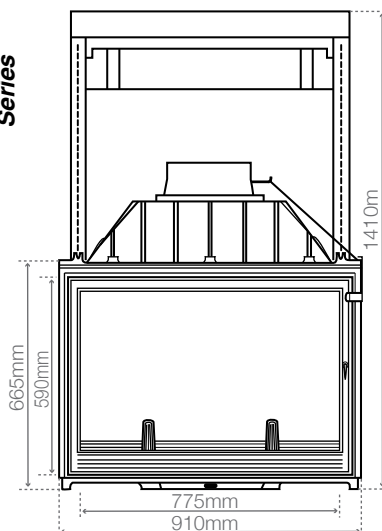


- Material:** 100% Pure cast iron, 8-12 mm thickness
- kW output:** 25.9kW Single sided
- Heating Capacity:** Up to 150-200m<sup>2</sup>
- Facade:** Clean frameless design (no trim)
- Glass door:** Secure swing or lift door
- Minimum flue height:** 5m
- Flue sizes:** 250mm, 300mm, 350mm
- Includes hot air transfer kit:** A duct and a register
- Warranty:** 10 year firebox warranty\*
- Weight:** 230kg
- Hearth dimension:** min 500mm in front of any part of fireplace, 250mm on either side & 75mm thick\*

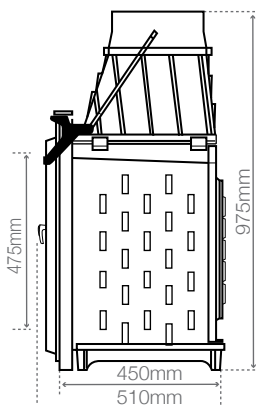
\*Dimensions shown include the lift up door option, exclude these dimensions for swing door version. \*Hearth dimensions are for inbuilt models only

## Seguin Super 9 Series

FRONT



SIDE

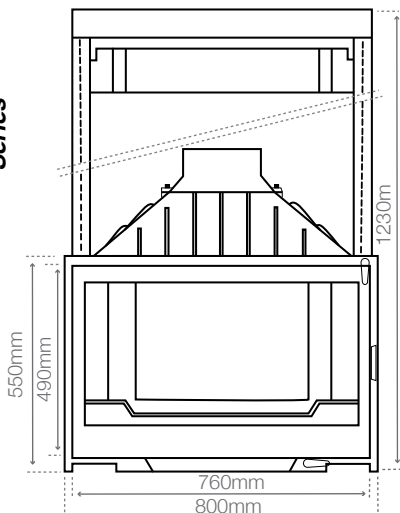


- Material:** 100% Pure cast iron, 8-12mm thickness
- kW output:** 26kW
- Heating Capacity:** Up to 200-300m<sup>2</sup>
- Facade:** Clean frameless design (trim options available)
- Glass door:** Secure swing or lift door options
- Minimum flue height:** 5m
- Flue sizes:** 250mm, 300mm, 350mm
- Includes hot air transfer kit:** A duct and a register
- Outside air kit:** Recommended for well insulated homes
- Warranty:** 10 year firebox warranty
- Weight:** 250kg
- Hearth dimension:** min 500mm in front of any part of fireplace, 250mm on either side & 75mm thick\*

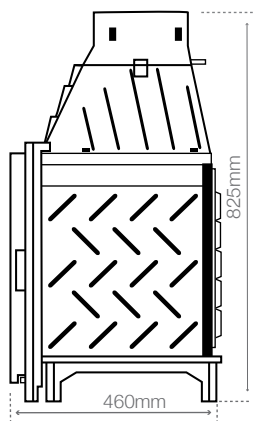
\*Dimensions shown include the lift up door option, exclude these dimensions for swing door version. \*Hearth dimensions are for inbuilt models only

## Seguin VISIO 8 Series

FRONT



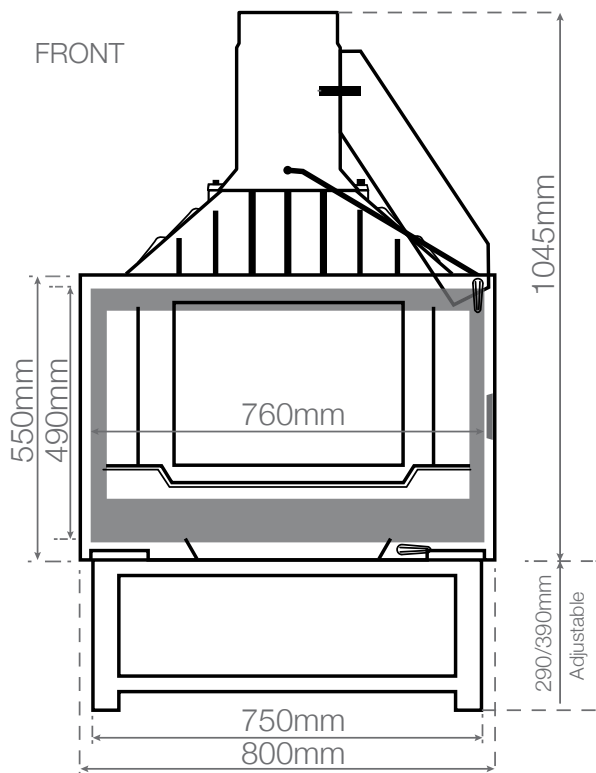
SIDE



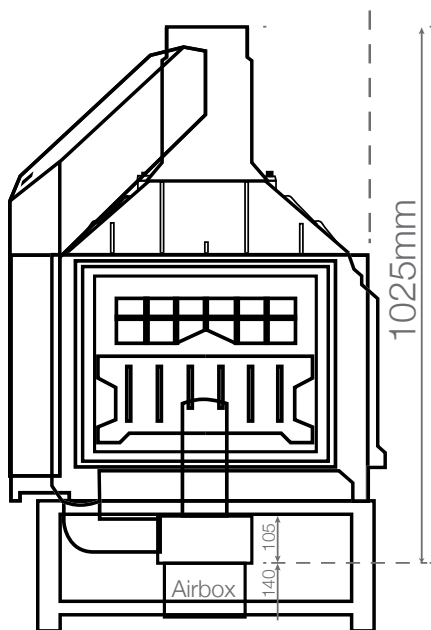
- Material:** 100% Pure cast iron, 8-12mm thickness
- kW output:** 27.8kW
- Heating Capacity:** Up to 240m-340m<sup>2</sup>
- Facade:** Clean frameless design (trim options available)
- Glass door:** Secure swing or lift door options
- Minimum flue height:** 4m
- Flue sizes:** 200mm, 250mm, 300mm
- Includes hot air transfer kit:** A duct and a register
- Outside air kit:** Recommended for well insulated homes
- Warranty:** 10 year firebox warranty
- Weight:** 190kg
- Hearth dimension:** min 500mm in front of any part of fireplace, 250mm on either side & 75mm thick\*

\*Dimensions shown include the lift up door option, exclude these dimensions for swing door version. \*Hearth dimensions are for inbuilt models only

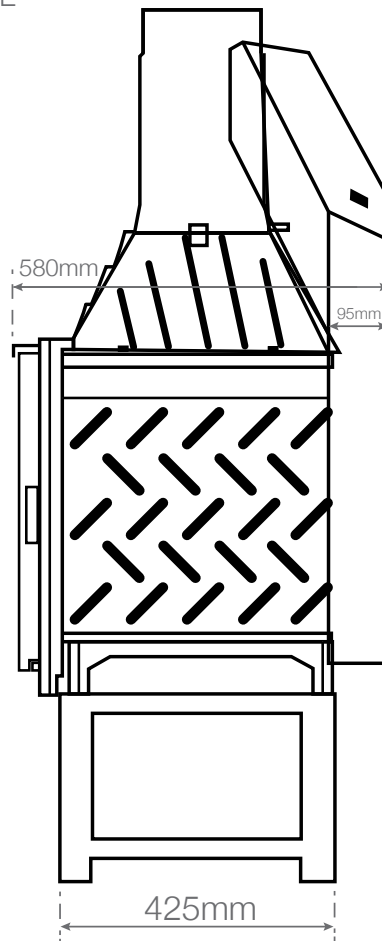
# SEGUIN Visio 8 IHS - The most advanced system on the market



BACK



SIDE



- |                                       |   |
|---------------------------------------|---|
| <b>Material:</b>                      | 100% Pure cast iron, 8-12mm thickness   |
| <b>kW output:</b>                     | 27.8kW  |
| <b>Heating Capacity:</b>              | Up to 240-340m  |
| <b>Facade:</b>                        | Clean frameless design (trim options available)                                   |
| <b>Glass door:</b>                    | Secure swing door system  |
| <b>Minimum flue height:</b>           | 4m  |
| <b>Flue sizes:</b>                    | 200mm, 250mm, 300mm   |
| <b>Includes hot air transfer kit:</b> | A duct and a register   |
| <b>Outside air kit:</b>               | Recommended for well insulated homes  |
| <b>Warranty:</b>                      | 10 year firebox warranty  |
| <b>Weight:</b>                        | 220kg   |
| <b>Hearth dimension:</b>              | min 500mm in front of any part of fireplace,<br>250mm on either side & 75mm thick |

\*All units in this brochure are in accordance with Australian and New Zealand Standard AS/NZS 2918:2001. Heating capacity based on 2.4m ceiling heights and 6 star rated homes. Factors such as building characteristics, quality of insulation, type of firewood used and climatic zones will also effect heating output. All images are a guide only, all wood heaters must be installed as per AS/NZS 2981:2001



## Australia's first remote control wood heater

### How it works:

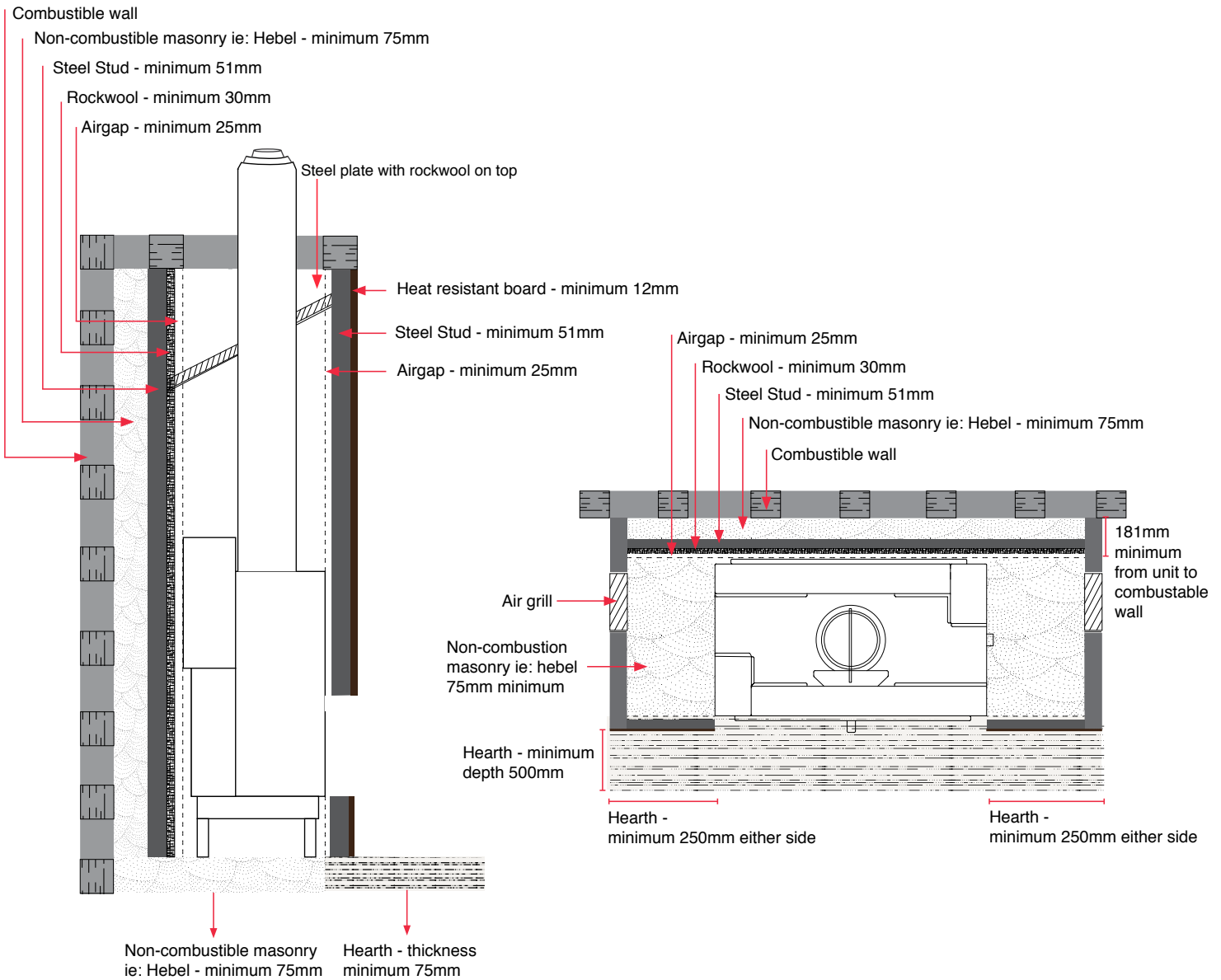
IHS system stands for "Intelligent Heating System", it automatically regulates combustion in your firebox. The purpose of the Autopilot IHS™ is to provide a greener, more economic and comfortable heat flow via remote control. Autopilot IHS™ is a brand new patented technology that adjusts the volume of airflow through the firebox. It does this by regularly measuring the temperature and oxygen content of the gases in the firebox via two air outlets inside the unit, and delivers optimum oxygen supply. The remote control is used to set the required temperature, with easy to understand displays. Your new Autopilot IHS™ automatically controlled firebox guarantees a clean and economic wood combustion.



# Autopilot IHS™

# SEGUIN & AXIS Inbuilt specifications

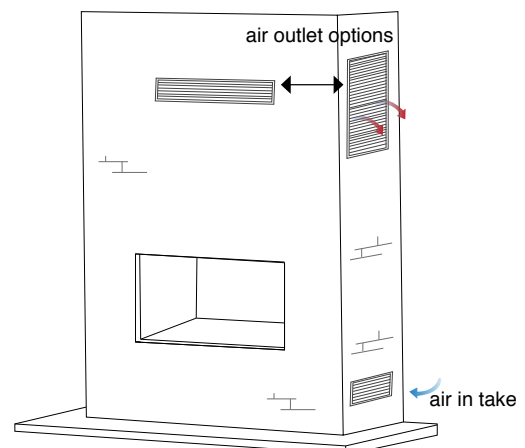
## SIDE



\*Diagram for single sided fireplaces

## NOTES:

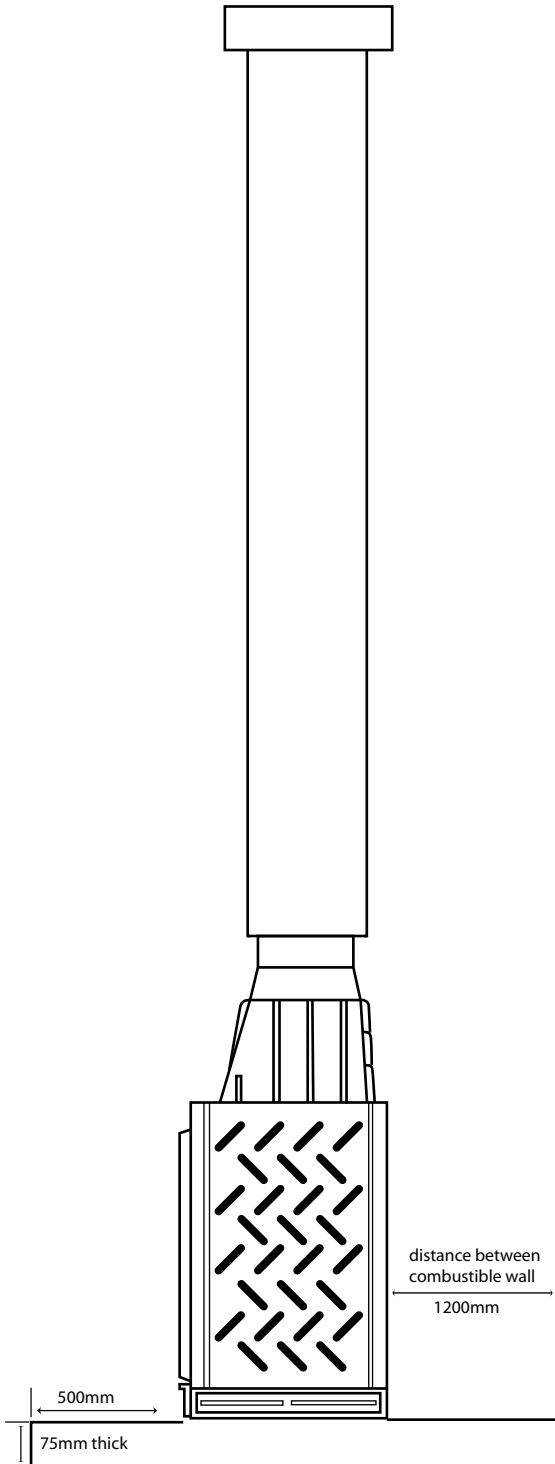
1. Minimum of two air intake grills to be positioned either side of the bottom of masonry enclosure. Size of grills to be a minimum of 300mm (W) x 100mm (H), the more air the better the heat transfer.
2. Air grill options: Minimum two air outlet grills - 300mm (W) x 100mm (H) OR minimum one air outlet grill - 600mm (W) x 200mm (H) at the front or side of masonry
3. Brickwork or frame around the unit must occur after the unit is in situ.
4. Steel frame ONLY to be used for masonry enclosure, no combustibles.
5. All dimensions in millimeters.
6. All dimensions are based on the minimum size.
7. Do not scale from these diagrams.



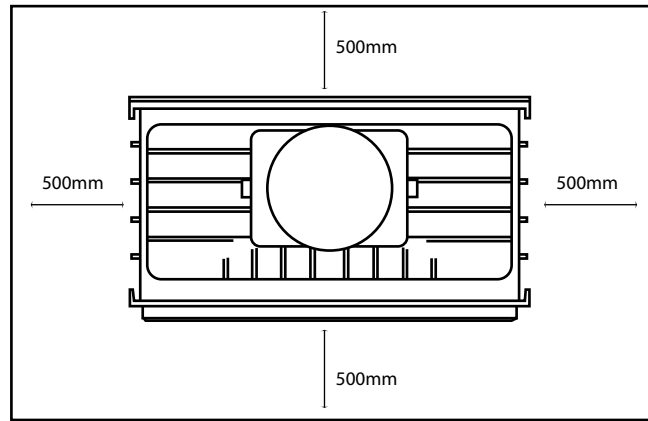
\*Sculpt reserves the right to change these specifications without prior notice. This information does not replace the installation manual which provides more detailed information. Must be installed into a full masonry enclosure as per AS/NZS 2918:2001

# SEGUIN Freestanding specifications

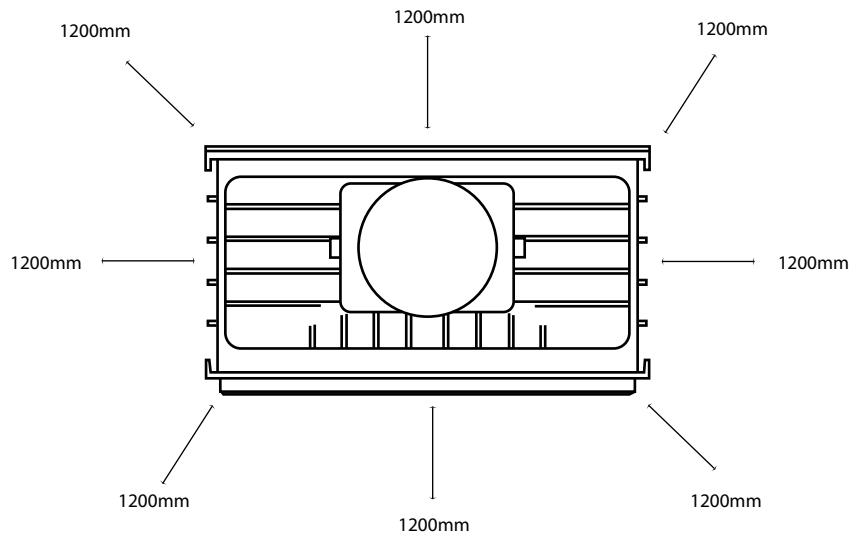
SIDE VIEW:



FLOOR PLAN OF MINIMUM HEARTH DIMENSIONS:



FLOOR PLAN OF MINIMUM CLEARANCES TO COMBUSTIBLE MATERIALS:









**“Combining quality craftsmanship  
with exquisite design at the forefront”**

Seguin Duteriez



SCULPT<sup>TM</sup>  
FIREPLACE  
COLLECTION

[sculptfireplaces.com.au](http://sculptfireplaces.com.au)  
1300 851 304  
PO BOX 1232, Mornington, 3931

