

HÄFELE

HÄFELE MX DRAWER SYSTEMS

ENGINEERED BY HÄFELE



LET LIFE COME TO YOU

HÄFELE MX DRAWER SYSTEMS.

In a modern world, where it can feel as though we are short on both time and space, we look to our living spaces to deliver solutions that allow us to make the most of these luxuries.

Life is easier when what we want is in front of us. And, having to delve into kitchen and bedroom cupboards to get to things can be laborious, especially with a lack of light.

The latest storage concept introduces movement in an increasingly popular application throughout cleverly designed homes and workspaces – this simple solution replaces cupboards with drawer systems.

The new Häfele MX drawer system is designed to facilitate the concept of delivering life to you in smooth, elegant movements. The Häfele MX asks you to open your mind to new possibilities; to a new, easier lifestyle that quite simply, makes things better.

Be free and embrace the modern world and all it has to offer: Häfele MX drawer systems. Let life come to you.



Vertical inner sides for optimum capacity.



Drawer fronts can be adjusted from above, and concealed by a trim cap.



Drawer fronts can be removed without tools





THE KITCHEN HÄFELE MX.

Premium German engineering provides sleek movement with soft close action, making this drawer system the first choice for kitchens.

- ✓ Choose your ideal combination of kitchen drawer types, from:
 - > Standard
 - > Pot
 - > Pot with decorative sides
- ✓ Replace kitchen cupboards with the Häfele MX to easily pull out storage jars, pots and pans
- ✓ Enhance the standard drawer with a cutlery insert for smart storage solutions

THE PERFECT KITCHEN SOLUTION.



THE BEDROOM HÄFELE MX.

Forget searching in the dark at the bottom of your wardrobe when the Häfele MX is installed and let life come to you.

- ✓ Available in shorter depths to fit dressing tables and bedroom units
- ✓ Choose between 30 kg, 50 kg or 70 kg capacity drawers to house jeans, jumpers or even heavy shoes
- ✓ A choice of four colours of drawer sides means you can provide innovation and style to the bedroom

THE PERFECT BEDROOM SOLUTION.



THE BATHROOM HÄFELE MX.

The Häfele MX drawer side offers a vertical inner for optimum use of space, to house everything from hair brushes to toothbrushes.

- ✓ Assembled back brackets for timber to fit in with any modern bathroom design
- ✓ Soft close as standard to avoid waking the house up during your early morning routine
- ✓ On average, about 10% more storage space than most competitors

THE PERFECT BATHROOM SOLUTION.





THE COMMERCIAL HÄFELE MX.

The commercial requirement for solid, premium fitted storage solutions are realised in the 60mm Häfele MX with smooth synchronised runners

- ✓ Tool-less drawer front assembly and removal make installation quick and easy, perfect for those on a tight project deadline
- ✓ Easy to order sets

THE PERFECT COMMERCIAL SOLUTION.



INDIVIDUAL BY DESIGN.

With Häfele MX comes complete artistic control with the ability to design and create a unique drawer system that suits your customer. Choose from white, silver, anthracite and bronze drawer side finishes, assembled back brackets for timber panels and take advantage of the modular system with extension panels to build your required drawer height.

- > Unique range of colours
- > Assembled back brackets for timber panels
- > Customise with your own side panels, using the panel holder
- > Stylish range of accessories
- > Customised branding imprinted on cover caps available



Top drawer: Standard system in Silver

Top drawer: Standard system in White

Top drawer: Standard system in Bronze

Middle drawer: Pot system in Silver with glass decorative sides

Middle drawer: Pot system in White with round rails

Middle drawer: Pot system in bronze with glass decorative sides

Lower drawer: Pot system in Silver with round rails

Lower drawer: Pot system in White with glass decorative sides

Lower drawer: Pot system in bronze with solid decorative sides

Oak back and base used

White back and base used

Oak back and base used



Top drawer: Standard internal system in silver

Lower drawer: Pot system in silver with rectangular rails

90° Inner resulting in 10% more usable space*

Push-on front fixing bracket

Soft close as standard

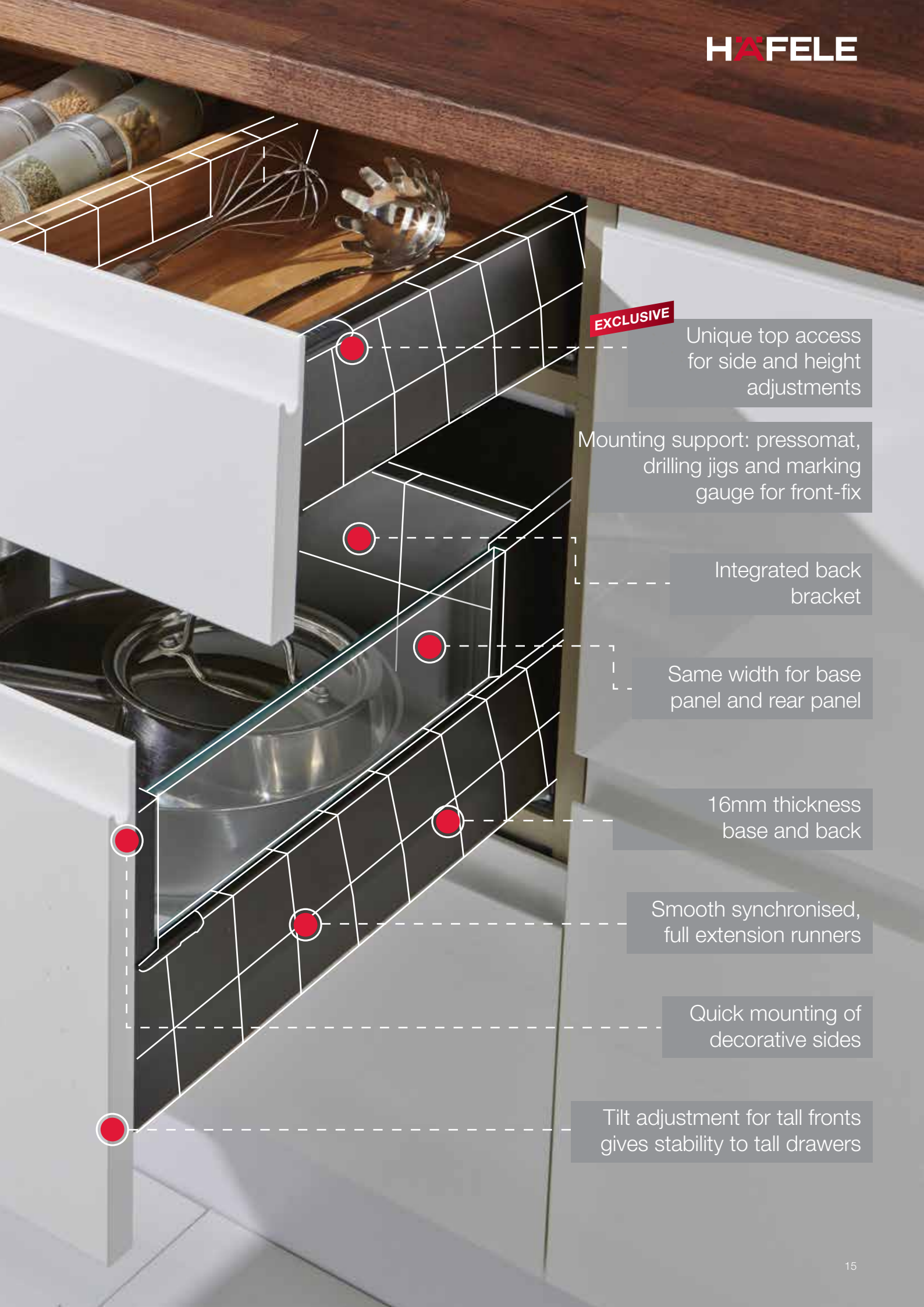
German engineering and production

Tool-less drawer front assembly and removal

HÄFELE MX. THE FUNCTIONAL CHOICE.

Optimum functionality comes as standard with the Häfele MX drawer system. High-end features such as soft close, smooth, synchronised runners and tool-less drawer front assembly and removal all make the Häfele MX the functional choice.

*Compared to competitors systems



EXCLUSIVE

Unique top access for side and height adjustments

Mounting support: pressomat, drilling jigs and marking gauge for front-fix

Integrated back bracket

Same width for base panel and rear panel

16mm thickness base and back

Smooth synchronised, full extension runners

Quick mounting of decorative sides

Tilt adjustment for tall fronts gives stability to tall drawers

HÄFELE MX. THE CHOICE FOR ALL.

The Häfele MX drawer system has been designed with every stage of design, installation and end user in mind. Engineered to the highest standards, the Häfele MX is the first choice for designers, installers, manufacturers and customers alike.

THE DESIGNERS' CHOICE

- > Unique range of colours
- > Stylish range of accessories
- > Fully customisable side panels



THE INSTALLERS' CHOICE

- > Top adjustment - easy access in any situation
- > Tool-less drawer front removal
- > Jigs are available for easier drilling

THE MANUFACTURERS' CHOICE

- > German engineered
- > Integrated back brackets
- > Can use the same board for the back and base
- > Easy manufacturing with drilling jigs



THE CUSTOMERS' CHOICE

- > Full extension runners, easy access to content
- > Soft close action - an even smoother motion with synchronised runners
- > Vertical sides for more internal space
- > Make your space unique and individual with stylish colours and accessories

BUILD YOUR DRAWER

The Häfele MX drawer system has been designed with easiness in mind. Simply select your basic system and then complete with the add-on sets to create the drawer you want.

1 SELECT YOUR BASIC SYSTEM:

- > One pair of drawer sides with integrated rear brackets
- > One pair of soft-close synchronised runners
- > One pair of cover caps (with Häfele logo)
- > One pair of knock in front fix brackets

A 16MM BASE & BACK THICKNESS

B CHOOSE YOUR DRAWER WEIGHT
30kg , 50kg or 70kg

C CHOOSE YOUR DRAWER COLOUR

WHITE



BRONZE



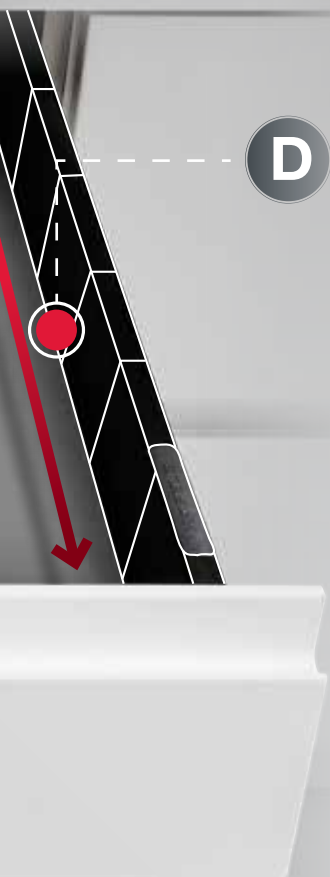
SILVER



ANTHRACITE



2 COMPLETE YOUR SYSTEM



D

CHOOSE YOUR DRAWER DEPTH

- 270mm
- 300mm
- 350mm
- 400mm
- 450mm
- 500mm
- 550mm



POT DRAWER WITH ROUND RAIL

PAGE 22



POT DRAWER WITH RECTANGULAR RAIL

PAGE 23



POT DRAWER WITH SOLID SIDES

PAGE 24



POT DRAWER WITH DECORATIVE SIDES

PAGE 25



STANDARD INTERNAL DRAWER

PAGE 26



POT INTERNAL DRAWER

PAGE 26



INTERNAL POT DRAWER WITH SOLID SIDES

PAGE 26 - 28



60mm** DRAWER

PAGE 30

* Additional add-ons required, see relevant product pages for more information.

** Separate basic system required, see relevant product page for more information.



Dimensions in mm Dimensional data not binding. Images are for illustrative use only. We reserve the right to alter specifications without notice

HÄFELE MX STANDARD DRAWER

KNOCK IN



Colour options



White

Silver

Anthracite

Bronze

WHITE

Depth (mm)	Load bearing capacity		
	30 kg	50 kg	70 kg
270	551.54.700	551.54.720	–
300	551.54.701	551.54.721	–
350	551.54.702	551.54.722	–
400	551.54.703	551.54.723	–
450	551.54.704	551.54.724	–
500	551.54.705	551.54.725	–
550	551.54.706	551.54.726	551.54.746

SILVER

Depth (mm)	Load bearing capacity		
	30 kg	50 kg	70 kg
270	551.54.900	551.54.920	–
300	551.54.901	551.54.921	–
350	551.54.902	551.54.922	–
400	551.54.903	551.54.923	–
450	551.54.904	551.54.924	–
500	551.54.905	551.54.925	–
550	551.54.906	551.54.926	551.54.946

ANTHRACITE

Depth (mm)	Load bearing capacity		
	30 kg	50 kg	70 kg
270	551.54.300	551.54.320	–
300	551.54.301	551.54.321	–
350	551.54.302	551.54.322	–
400	551.54.303	551.54.323	–
450	551.54.304	551.54.324	–
500	551.54.305	551.54.325	–
550	551.54.306	551.54.326	551.54.346

BRONZE

Depth (mm)	Load bearing capacity		
	30 kg	50 kg	70 kg
270	551.54.100	551.54.120	–
300	551.54.101	551.54.121	–
350	551.54.102	551.54.122	–
400	551.54.103	551.54.123	–
450	551.54.104	551.54.124	–
500	551.54.105	551.54.125	–
550	551.54.106	551.54.126	551.54.146

Dimensions in mm. Dimensional data not binding. Images are for illustrative use only. We reserve the right to alter specifications without notice.



Note:

Bronze is not a stock colour - Available upon request.



Supplied with:

- > One pair of 92mm high drawer sides
- > One pair of soft-close synchronised runners
- > One pair of cover caps (with Häfele logo)
- > One pair of front fixing brackets, knock-in fixing

HÄFELE MX POT DRAWER

WITH ROUND RAILS



Colour options



White

Silver

Anthracite

WHITE

Depth (mm)	Load bearing capacity		
	30 kg	50 kg	70 kg
270	551.57.700	551.57.720	–
300	551.57.701	551.57.721	–
350	551.57.702	551.57.722	–
400	551.57.703	551.57.723	–
450	551.57.704	551.57.724	–
500	551.57.705	551.57.725	–
550	551.57.706	551.57.726	551.57.746

SILVER

Depth (mm)	Load bearing capacity		
	30 kg	50 kg	70 kg
270	551.57.900	551.57.920	–
300	551.57.901	551.57.921	–
350	551.57.902	551.57.922	–
400	551.57.903	551.57.923	–
450	551.57.904	551.57.924	–
500	551.57.905	551.57.925	–
550	551.57.906	551.57.926	551.57.946

ANTHRACITE

Depth (mm)	Load bearing capacity		
	30 kg	50 kg	70 kg
270	551.57.300	551.57.320	–
300	551.57.301	551.57.321	–
350	551.57.302	551.57.322	–
400	551.57.303	551.57.323	–
450	551.57.304	551.57.324	–
500	551.57.305	551.57.325	–
550	551.57.306	551.57.326	551.57.346



Supplied with:

- > One pair of 92mm high drawer sides
- > One pair of soft-close synchronised runners
- > One pair of cover caps (with Häfele logo)
- > One pair of front fixing brackets, knock-in fixing
- > One pair of gallery rails (rails, front bracket, rear panel fitting)

HÄFELE MX POT DRAWER

WITH RECTANGULAR RAILS



Colour options



White

Silver

Anthracite

Bronze

WHITE

Depth (mm)	Load bearing capacity		
	30 kg	50 kg	70 kg
270	551.67.700	551.67.720	–
300	551.67.701	551.67.721	–
350	551.67.702	551.67.722	–
400	551.67.703	551.67.723	–
450	551.67.704	551.67.724	–
500	551.67.705	551.67.725	–
550	551.67.706	551.67.726	551.67.746

SILVER

Depth (mm)	Load bearing capacity		
	30 kg	50 kg	70 kg
270	551.67.900	551.67.920	–
300	551.67.901	551.67.921	–
350	551.67.902	551.67.922	–
400	551.67.903	551.67.923	–
450	551.67.904	551.67.924	–
500	551.67.905	551.67.925	–
550	551.67.906	551.67.926	551.67.946

ANTHRACITE

Depth (mm)	Load bearing capacity		
	30 kg	50 kg	70 kg
270	551.67.300	551.67.320	–
300	551.67.301	551.67.321	–
350	551.67.302	551.67.322	–
400	551.67.303	551.67.323	–
450	551.67.304	551.67.324	–
500	551.67.305	551.67.325	–
550	551.67.306	551.67.326	551.67.346

BRONZE

Depth (mm)	Load bearing capacity		
	30 kg	50 kg	70 kg
270	551.67.100	551.67.120	–
300	551.67.101	551.67.121	–
350	551.67.102	551.67.122	–
400	551.67.103	551.67.123	–
450	551.67.104	551.67.124	–
500	551.67.105	551.67.125	–
550	551.67.106	551.67.126	551.67.146

Dimensions in mm Dimensional data not binding. Images are for illustrative use only. We reserve the right to alter specifications without notice



Note:

Bronze is not a stock colour - Available upon request.

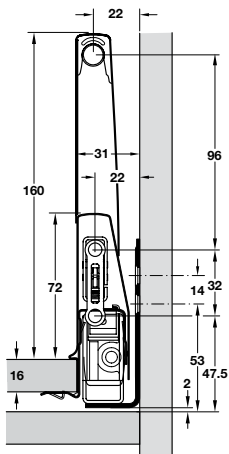
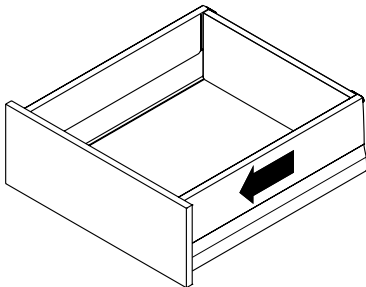
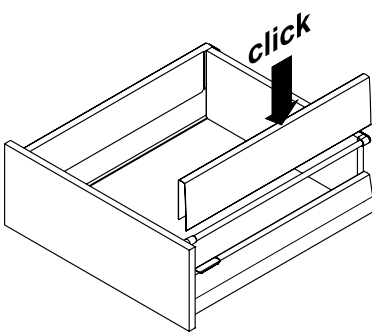


Supplied with:

- > One pair of 92mm high drawer sides with rear panel fittings
- > One pair of soft-close synchronised runners
- > One pair of cover caps (with Häfele logo)
- > One pair of front fixing brackets, knock-in fixing
- > One pair of gallery rails (rails, front bracket, rear panel fitting)

HÄFELE MX BOX SET

HEIGHT EXTENSION SIDE PANELS



WHITE

Depth (mm)	Load bearing capacity		
	30 kg	50 kg	70 kg
270	551.55.700	551.55.720	–
300	551.55.701	551.55.721	–
350	551.55.702	551.55.722	–
400	551.55.703	551.55.723	–
450	551.55.704	551.55.724	–
500	551.55.705	551.55.725	–
550	551.55.706	551.55.726	551.55.746

SILVER

Depth (mm)	Load bearing capacity		
	30 kg	50 kg	70 kg
270	551.55.900	551.55.920	–
300	551.55.901	551.55.921	–
350	551.55.902	551.55.922	–
400	551.55.903	551.55.923	–
450	551.55.904	551.55.924	–
500	551.55.905	551.55.925	–
550	551.55.906	551.55.926	551.55.946

ANTHRACITE

Depth (mm)	Load bearing capacity		
	30 kg	50 kg	70 kg
270	551.55.300	551.55.320	–
300	551.55.301	551.55.321	–
350	551.55.302	551.55.322	–
400	551.55.303	551.55.323	–
450	551.55.304	551.55.324	–
500	551.55.305	551.55.325	–
550	551.55.306	551.55.326	551.55.346

BRONZE

Depth (mm)	Load bearing capacity		
	30 kg	50 kg	70 kg
270	551.55.100	551.55.120	–
300	551.55.101	551.55.121	–
350	551.55.102	551.55.122	–
400	551.55.103	551.55.123	–
450	551.55.104	551.55.124	–
500	551.55.105	551.55.125	–
550	551.55.106	551.55.126	551.55.146



Note:

Bronze is not a stock colour - Available upon request.

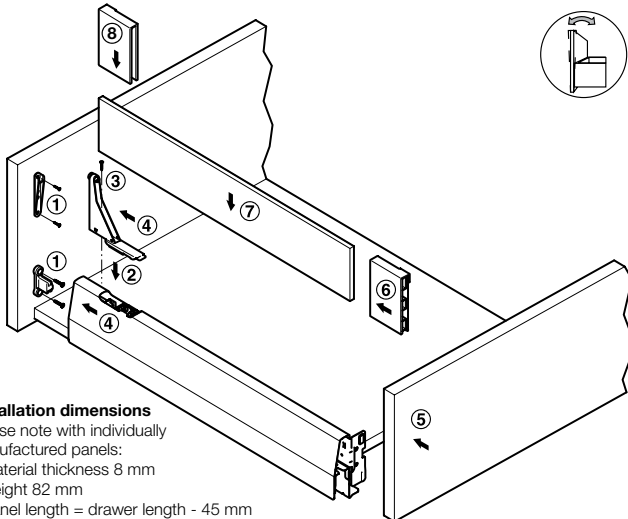


Supplied with:

- > One pair of 92mm high drawer sides
- > One pair of soft-close synchronised runners
- > One pair of cover caps (with Häfele logo)
- > One pair of front fixing brackets, knock-in fixing
- > One pair of gallery rails (rails, front bracket, rear panel fitting)
- > One pair of Häfele MX Box side panels

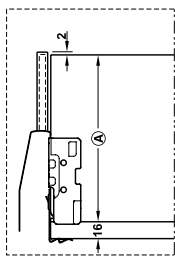
HÄFELE MX GLASS SET

PANEL HOLDER FOR DECORATIVE EXTENSION SIDE PANELS

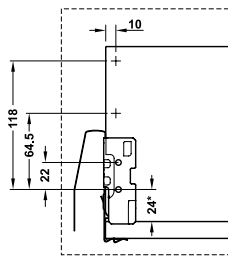


Installation dimensions

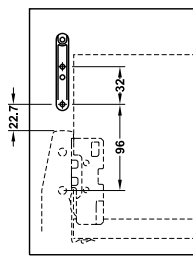
- Please note with individually manufactured panels:
- Material thickness 8 mm
 - Height 82 mm
 - Panel length = drawer length - 45 mm



Rear panel height H



Drilling pattern for rear panel fitting



Drilling pattern/screw-on position for front brackets

Dimensions in mm. Dimensional data not binding. Images are for illustrative use only. We reserve the right to alter specifications without notice.

WHITE

Depth (mm)	Load bearing capacity		
	30 kg	50 kg	70 kg
270	551.67.760	551.67.770	–
300	551.67.761	551.67.771	–
350	551.67.762	551.67.772	–
400	551.67.763	551.67.773	–
450	551.67.764	551.67.774	–
500	551.67.765	551.67.775	–
550	551.67.766	551.67.776	551.67.786

SILVER

Depth (mm)	Load bearing capacity		
	30 kg	50 kg	70 kg
270	551.67.960	551.67.970	–
300	551.67.961	551.67.971	–
350	551.67.962	551.67.972	–
400	551.67.963	551.67.973	–
450	551.67.964	551.67.974	–
500	551.67.965	551.67.975	–
550	551.67.966	551.67.976	551.67.986

ANTHRACITE

Depth (mm)	Load bearing capacity		
	30 kg	50 kg	70 kg
270	551.67.360	551.67.370	–
300	551.67.361	551.67.371	–
350	551.67.362	551.67.372	–
400	551.67.363	551.67.373	–
450	551.67.364	551.67.374	–
500	551.67.365	551.67.375	–
550	551.67.366	551.67.376	551.67.386

BRONZE

Depth (mm)	Load bearing capacity		
	30 kg	50 kg	70 kg
270	551.67.160	551.67.170	–
300	551.67.161	551.67.171	–
350	551.67.162	551.67.172	–
400	551.67.163	551.67.173	–
450	551.67.164	551.67.174	–
500	551.67.165	551.67.175	–
550	551.67.166	551.67.176	551.67.186



Note:

Bronze is not a stock colour - Available upon request.



Supplied with:

- > One pair of 92mm high drawer sides
- > One pair of soft-close synchronised runners
- > One pair of cover caps (with Häfele logo)
- > One pair of front fixing brackets, knock-in fixing
- > One pair of frosted glass side panels
- > One kit of panel holders for decorative extension side panels

HÄFELE MX INTERNAL DRAWERS

INTERNAL DRAWER COMPONENTS



FRONT PANEL



- > Height (mm): 95
- > Suitable for: Use with front panel holders - Order front panel holders separately
- > Finish: Powder-coated, Aluminium

Colour	For cabinet width		
	600 mm	900 mm	1200 mm
White	553.61.611	553.61.615	553.61.619
Silver	551.61.911	551.61.915	551.61.919
Anthracite	551.61.311	551.61.315	551.61.319
Bronze	551.61.111	551.61.115	551.61.119

Packing: 1 piece

FRONT PANEL HOLDERS For standard internal drawer



- > Suitable for: 97 mm height internal drawer
For use with 92 mm high drawer sides and Häfele MX front panel, to create internal drawer box

	Cat. No.
White	553.61.692
Silver	551.61.992
Anthracite	551.61.392
Bronze	551.61.192

Packing: 1 pair



- Note:**
- > Order fixing screws separately
 - > Bronze is not a stock colour - Available upon request.

FRONT PANEL HOLDERS For internal pot drawer



- > Suitable for: For 185 mm height internal drawer
For use with 92 mm high drawer sides and Häfele MX front panel, to create internal drawer box with railing
- > Mounting: Clips onto drawer sides, rail is inserted into the holder
- > Material: Plastic

	Cat. No.
White	553.61.691
Silver	551.61.991
Anthracite	551.61.391

Packing: 1 pair



- Note:**
- Order gallery rail set, cross rail and stabilising plate separately.

HÄFELE MX ACCESSORIES

GALLERY RAILS



Rectangular gallery rails

Round gallery rails

WHITE

Depth (mm)	Rectangular	Round
270	551.60.720	553.59.600
300	551.60.721	553.59.601
350	551.60.722	553.59.602
400	551.60.723	553.59.603
450	551.60.724	553.59.604
500	551.60.725	553.59.605
550	551.60.726	553.59.606

Packing: 1 pair

SILVER

Depth (mm)	Rectangular	Round
270	551.60.920	553.59.900
300	551.60.921	553.59.901
350	551.60.922	553.59.902
400	551.60.923	553.59.903
450	551.60.924	553.59.904
500	551.60.925	553.59.905
550	551.60.926	553.59.906

Packing: 1 pair

ANTHRACITE

Depth (mm)	Rectangular	Round
270	551.60.320	553.59.400
300	551.60.321	553.59.401
350	551.60.322	553.59.402
400	551.60.323	553.59.403
450	551.60.324	553.59.404
500	551.60.325	553.59.405
550	551.60.326	553.59.406

Packing: 1 pair

BRONZE

Depth (mm)	Rectangular	Round
270	551.60.120	-
300	551.60.121	-
350	551.60.122	-
400	551.60.123	-
450	551.60.124	-
500	551.60.125	-
550	551.60.126	-

Packing: 1 pair



Note:

Bronze is not a stock colour - Available upon request.



Supplied with:

> One pair of gallery rails, front brackets, rear panel fittings

CROSS FRONT RAIL



- > Area of application: For dividing drawers
- > Material: Steel
- > Version: Can be cut to size
- > Length: 1,102 mm
- > Diameter: 11 mm
- > Size: Internal cabinet width – 80mm

	Cat. No.
White	553.59.634
Silver	553.59.934
Anthracite	553.59.434

Packing: 1 piece



Note:

Use with cross rail holders

CROSS RAIL HOLDERS



- > Material: Plastic

	Cat. No.
White	553.59.639
Silver	553.59.939
Anthracite	553.59.439

Packing: 1 piece

HÄFELE MX BOX COMPONENTS

SIDE PANELS



WHITE

Depth (mm)	Cat. No.
270	553.60.600
300	553.60.601
350	553.60.602
400	553.60.603
450	553.60.604
500	553.60.605
550	553.60.606

Packing: 1 pair

SILVER

Depth (mm)	Cat. No.
270	551.60.900
300	551.60.901
350	551.60.902
400	551.60.903
450	551.60.904
500	551.60.905
550	551.60.906

Packing: 1 pair

ANTHRACITE

Depth (mm)	Cat. No.
270	551.60.300
300	551.60.301
350	551.60.302
400	551.60.303
450	551.60.304
500	551.60.305
550	551.60.306

Packing: 1 pair

BRONZE

Depth (mm)	Cat. No.
270	551.60.100
300	551.60.101
350	551.60.102
400	551.60.103
450	551.60.104
500	551.60.105
550	551.60.106

Packing: 1 pair



Note:

- > For use with round gallery rail - Order separately
- > Bronze is not a stock colour - Available upon request.



Supplied with:

- > One pair of Häfele MX Box side panels

HÄFELE MX GLASS COMPONENTS

PANEL HOLDER FOR DECORATIVE EXTENSION SIDE PANELS



Colour	Cat. No.
White	553.60.699
Metallic Silver	551.60.599
Metallic Anthracite	551.60.999
Metallic Bronze	551.60.199

Packing: 1 pair



Supplied with:

- > 2 Front brackets
- > Panel holders with tension spring, adjustable screw for front bracket and insert for Häfele MX drawer sides
- > 2 Cover caps
- > Panel holders, rear
- > 2 Rear panel fittings

FROSTED GLASS SIDE PANELS



> Features:	Edges sanded and bevelled
> Height (mm):	82
> Thickness (mm):	8

For drawer length (mm)	Cat. No.
270	553.60.140
300	553.60.141
350	553.60.142
400	553.60.143
450	553.60.144
500	553.60.145
550	553.60.146

Packing: 1 pair

Dimensions in mm Dimensional data not binding. Images are for illustrative use only. We reserve the right to alter specifications without notice

OVER EXTENSION SET

FOR WASTE BIN APPLICATIONS



- > Features: Over extension of 35 mm, with integrated soft close and self closing mechanisms
- > Nominal length (mm): 500
- > Load bearing capacity: 45 kg
- > Material: Steel

Colour	Cat. No.
White	551.54.785
Silver	551.54.985
Anthracite	551.54.385
Bronze	551.54.185

Packing: 1 set



Note:
Bronze is not a stock colour - Available upon request.



- Supplied with:**
- > One pair of 92mm high drawer sides
 - > One pair of 45kg over extension, soft-close, synchronised runners
 - > One pair of cover caps (with Häfele logo)
 - > One pair of front fixing brackets, knock-in fixing

HÄFELE MX 60 H DRAWER SET

DRAWER SIDE HEIGHT 60 MM
50 KG LOAD BEARING CAPACITY



WHITE

Depth (mm)	Cat. No.
400	553.78.403
450	553.78.404
500	553.78.405
550	553.78.406

Packing: 1 set

SILVER

Depth (mm)	Cat. No.
400	551.53.903
450	551.53.904
500	551.53.905
550	551.53.906

Packing: 1 set

ANTHRACITE

Depth (mm)	Cat. No.
400	551.53.303
450	551.53.304
500	551.53.305
550	551.53.306

Packing: 1 set

BRONZE

Depth (mm)	Cat. No.
400	551.53.103
450	551.53.104
500	551.53.105
550	551.53.106

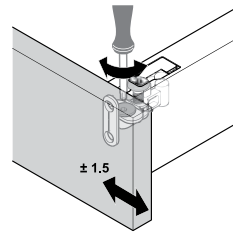
Packing: 1 set

! **Note:**
Bronze is not a stock colour - Available upon request.

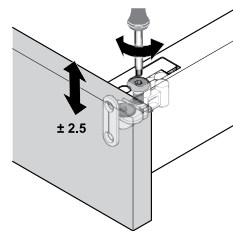
- +** **Supplied with:**
- > One pair of drawer sides
 - > One pair of soft-close synchronised runners
 - > One pair of front fixing bracket for screw fixing
 - > One pair of cover caps

Adjustment Facility

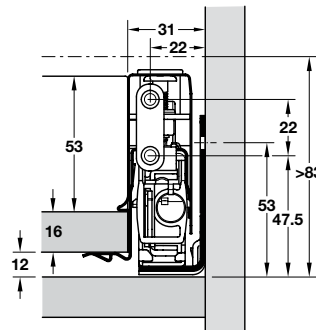
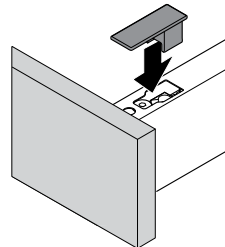
Side adjustment



Height adjustment



Cover cap and front fixing



Dimensions in mm Dimensional data not binding. Images are for illustrative use only. We reserve the right to alter specifications without notice

HÄFELE MX DRAWER COMPONENTS

DRAWER SIDES HEIGHT 92 MM



WHITE

Drawer length (mm)	Cat. No.
270	551.52.700
300	551.52.701
350	551.52.702
400	551.52.703
450	551.52.704
500	551.52.705
550	551.52.706

Packing: 1 pair

SILVER

Drawer length (mm)	Cat. No.
270	551.52.900
300	551.52.901
350	551.52.902
400	551.52.903
450	551.52.904
500	551.52.905
550	551.52.906

Packing: 1 pair

ANTHRACITE

Drawer length (mm)	Cat. No.
270	551.52.300
300	551.52.301
350	551.52.302
400	551.52.303
450	551.52.304
500	551.52.305
550	551.52.306

Packing: 1 pair

BRONZE

Drawer length (mm)	Cat. No.
270	551.52.100
300	551.52.101
350	551.52.102
400	551.52.103
450	551.52.104
500	551.52.105
550	551.52.106

Packing: 1 pair

DRAWER RUNNERS



30 KG RUNNER

Drawer length (mm)	Cat. No.
270	551.50.900
300	551.50.901
350	551.50.902
400	551.50.903
450	551.50.904
500	551.50.905
550	551.50.906

Packing: 1 pair

50 KG RUNNER

Drawer length (mm)	Cat. No.
270	553.50.020
300	553.50.021
350	553.50.022
400	553.50.023
450	553.50.024
500	553.50.025
550	553.50.026

Packing: 1 pair

70 KG RUNNER

Drawer length (mm)	Cat. No.
550	553.50.066

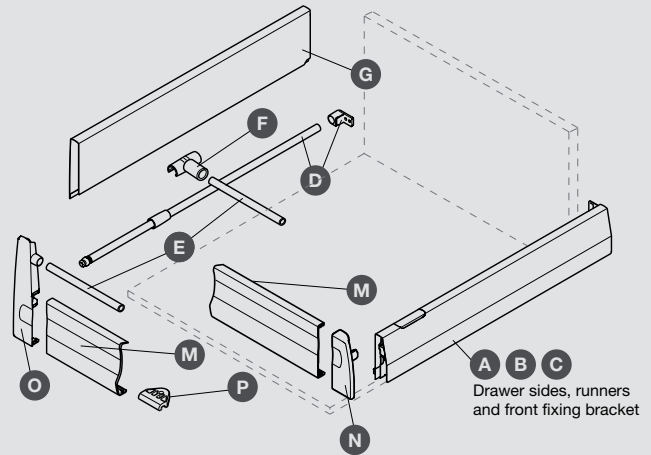
Packing: 1 pair

HÄFELE MX INSTALLATION & ADJUSTMENTS.

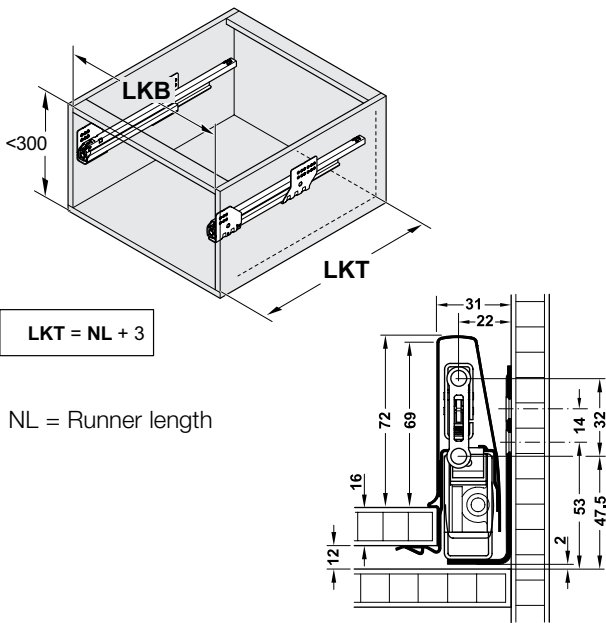
EXAMPLE OF DRAWER COMPONENTS

Example: Häfele MX internal drawer with gallery railing and front rail or with height extension side panels

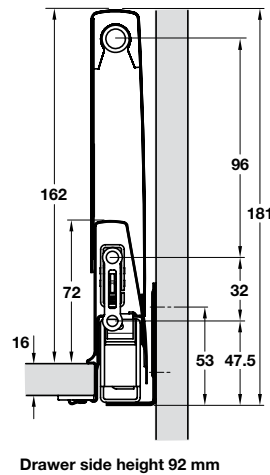
- A** Metal drawer sides
- B** Drawer runners
- C** Front fixing brackets
- D** Gallery rail set
- E** Cross rail
- F** Cross rail holder
- G** Height extension side panel
- M** Front panel for internal drawer
- N** Front panel holder for standard drawers
- O** Front panel holder for internal pot drawers
- P** Häfele MX stabilising plate



RUNNER INSTALLATION



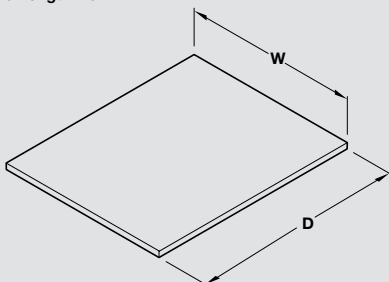
FRONT FIXING FOR GALLERY RAIL AND HÄFELE MX BOX



DRAWER BASE AND BACK CUTTING DIMENSIONS

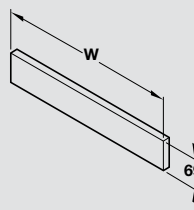
Base panel for drawer

Calculation of base dimensions:
W = internal cabinet width – 62 mm
D = nominal length – 3 mm



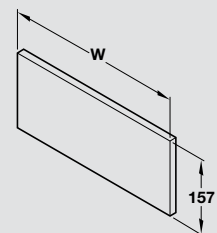
Rear panel for drawer side height 92 mm

Calculation of back dimensions:
W = internal cabinet width – 62 mm



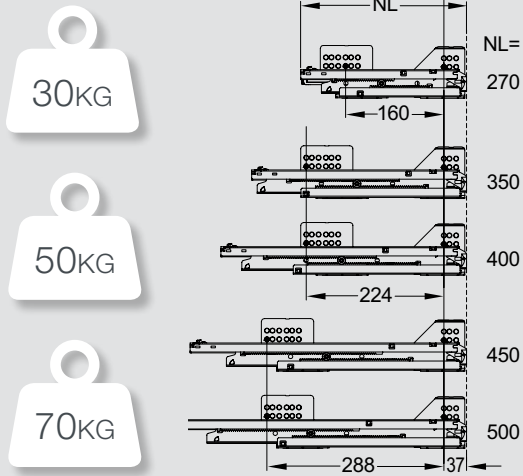
Rear panel for pan drawer side height 92 mm

Calculation of back dimensions:
W = internal cabinet width – 62 mm

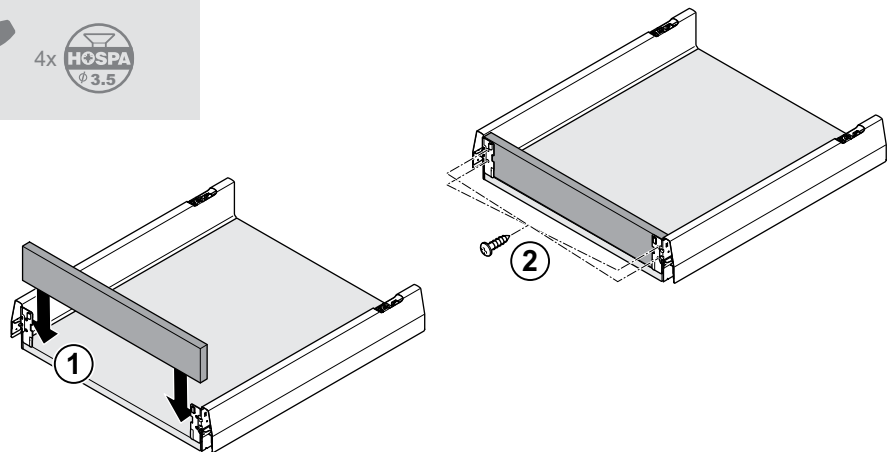
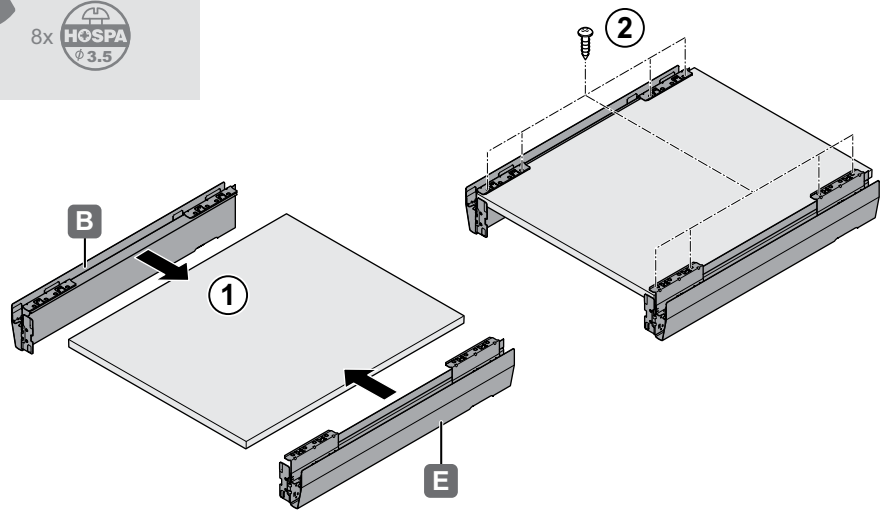


Dimensions in mm. Dimensional data not binding. Images are for illustrative use only. We reserve the right to alter specifications without notice.

DRILLING PATTERN FOR RUNNERS

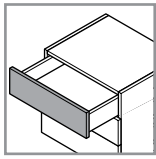


DRAWER ASSEMBLY



Dimensions in mm. Dimensional data not binding. Images are for illustrative use only. We reserve the right to alter specifications without notice.

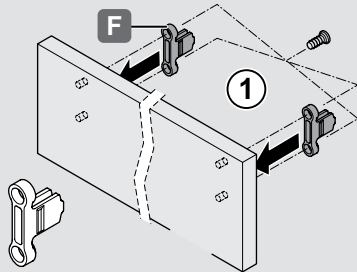
FRONT FIXING STANDARD DRAWER:



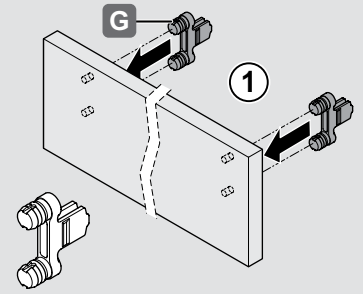
4x **VARIANTA** (16.5)



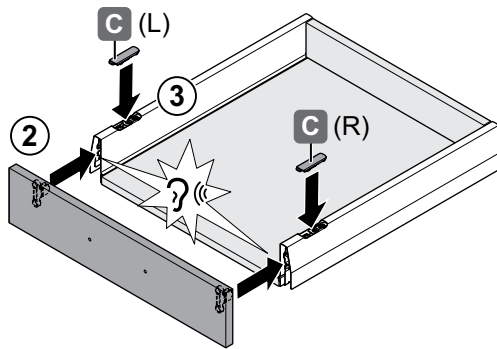
FRONT FIXING BRACKET



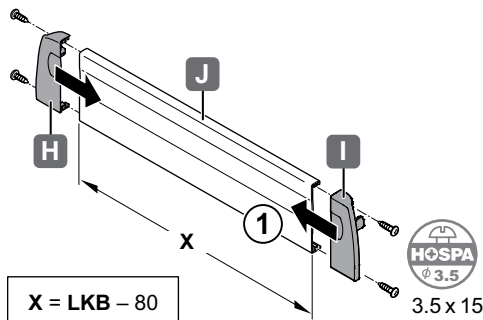
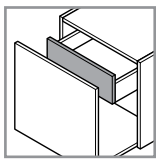
FOR SCREW FIXING



FOR PRESS FITTING

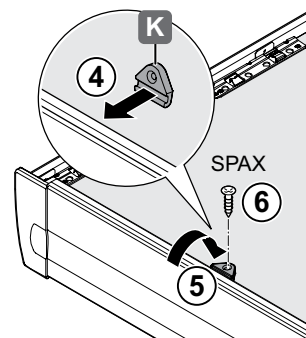
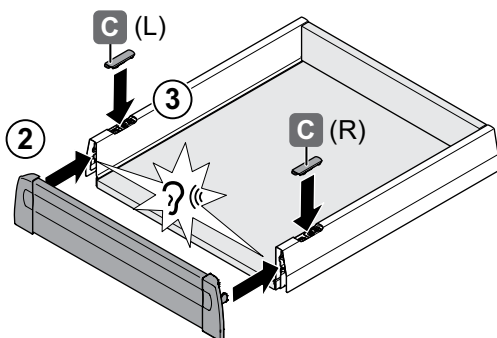


FRONT FIXING INTERNAL DRAWER:



$X = LKB - 80$

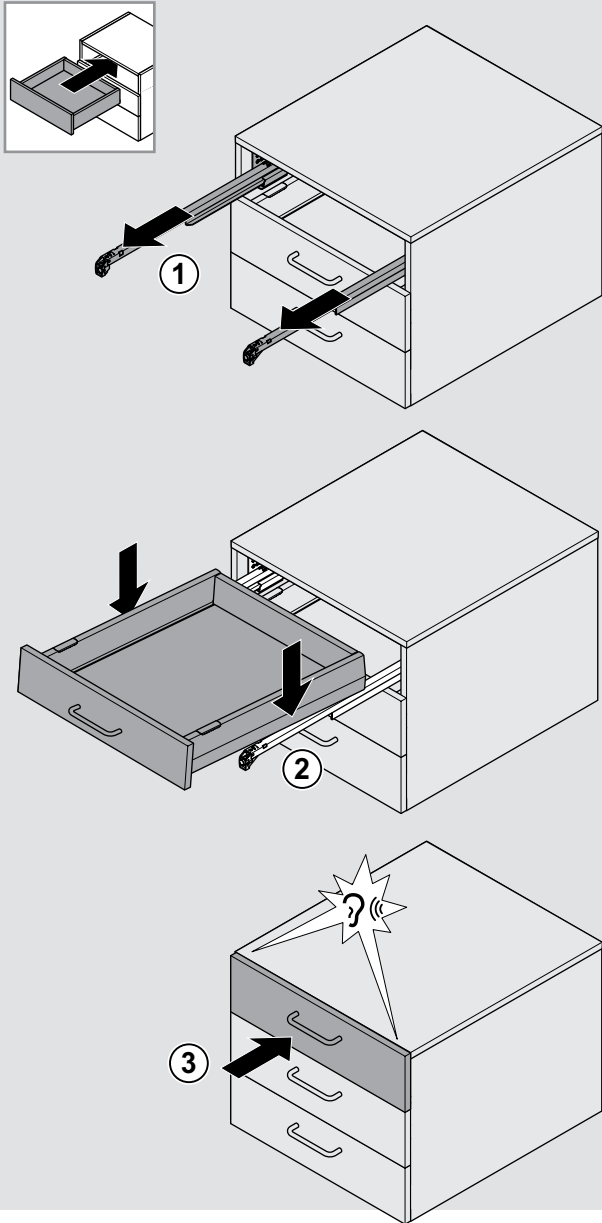
LKB = Internal cabinet width



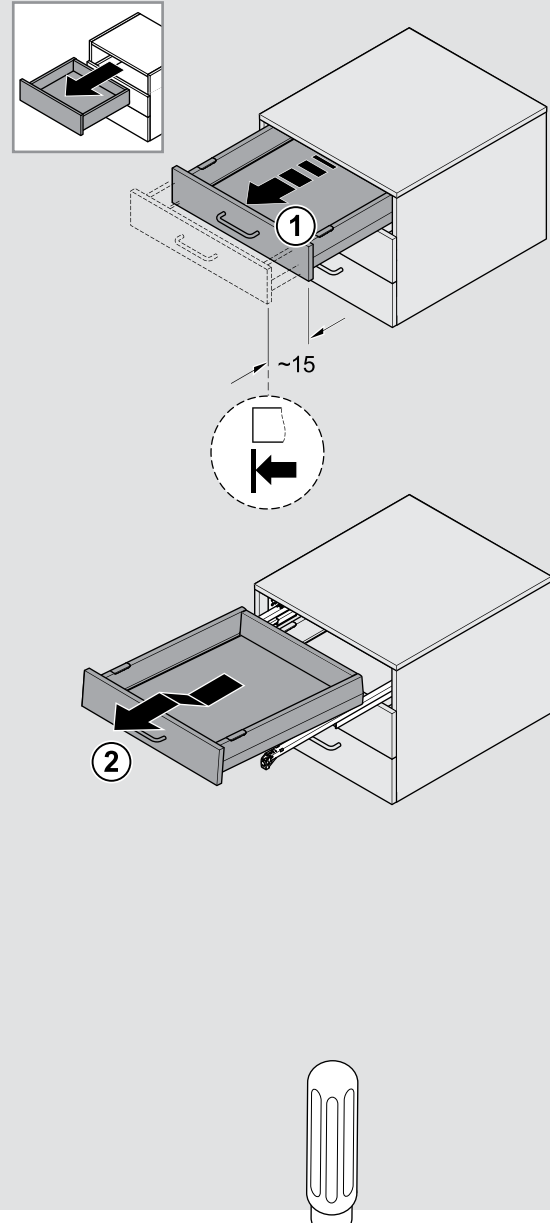
Dimensions in mm. Dimensional data not binding. Images are for illustrative use only. We reserve the right to alter specifications without notice.

DRAWER INSTALLATION AND REMOVAL

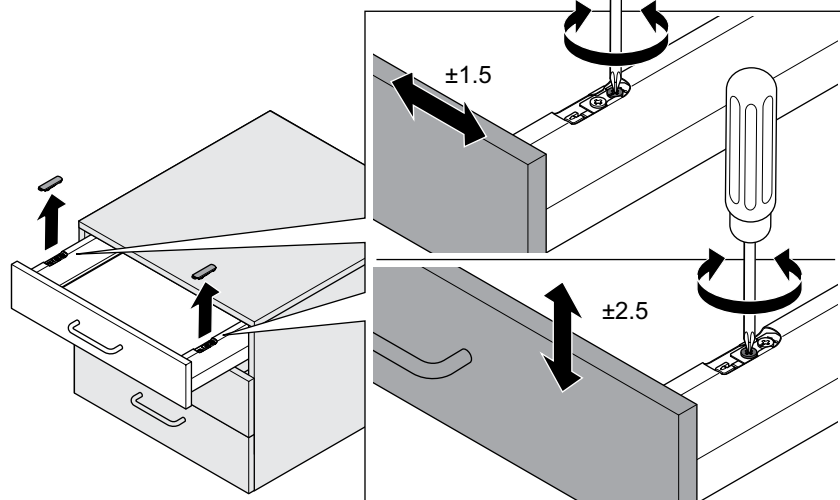
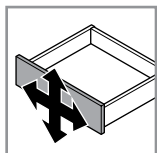
INSTALL



REMOVE



ADJUSTMENTS



HÄFELE MX ESSENTIAL ACCESSORIES

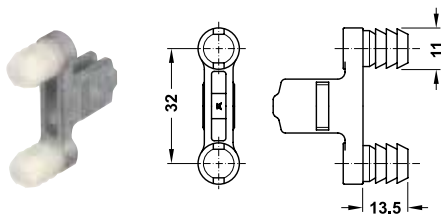
INSERTION TOOL FOR PRESS FITTING FRONT FIXING BRACKET



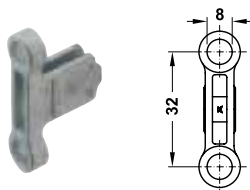
Material	Cat. No.
Aluminium with wooden handle	553.69.020

Packing: 1 piece

FIX FRONT FIXING BRACKET FOR PRESS FITTING



FOR SCREW FIXING



> Material:	Zinc alloy
-------------	------------

Version	Cat. No.
For press fitting	553.59.995
For screw fixing	553.59.991

Packing: 500 pieces

HÄFELE MX OPTIONAL ACCESSORIES

REPLACEMENT COVER CAPS



Colour	Cat. No.
White	551.61.780
Silver	551.61.980
Anthracite	551.61.380
Bronze	551.61.180

Packing: 1 pair



Note:

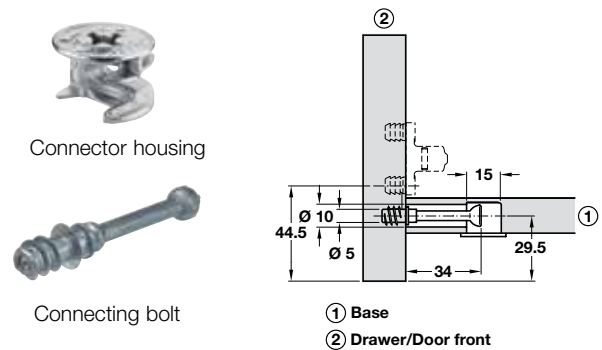
- > Bronze is not a stock colour - Available upon request.
- > Cover caps with customised screen printed logo are available from an order quantity of 2,000 pieces and above.
- > Cover caps with customised embossed logo are available from an order quantity of 5,000 pieces and above.



Supplied with:

- > One pair of cover caps (1 x LH, 1 x RH)

MINIFIX 15 HOUSING WITHOUT RIM AND CONNECTING BOLT



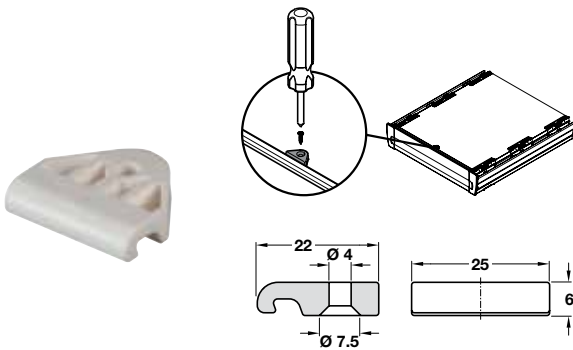
> For wood thicknesses:	From 16 mm
> Suitable for:	Use with drawers over 800 mm wide
> Drive:	PZ2 cross slot, flat blade or SW4 hexagon socket
> Material:	Zinc alloy
> Finish:	Bright

Version	Cat. No.
Connector housing	262.26.033
Connecting bolt	262.28.611

Packing: 500 pieces

HÄFELE MX OPTIONAL ACCESSORIES

FRONT PANEL STABILISING PLATE



- > Suitable for: Use with Häfele MX internal drawers
For stabilising the front panel against buckling when pulling out the drawer
Recommended for use with drawer widths 600 mm and wider
- > Material: Plastic
- > Colour: White

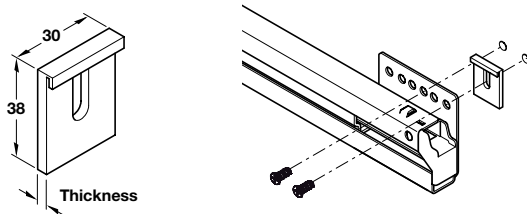
Cat. No.
553.61.781

Packing: 1 piece



- Supplied with:**
- > 1x Häfele MX front stabilising plate
 - > 1x Ø 3.5 x 15 mm Hospa chipboard screw

SPACER



- > Material: Plastic
- > Colour: White

Thickness (mm)	Cat. No.
1	558.73.017
3	558.73.035

Packing: 1 piece (4 pieces required per drawer)

SPACER BLOCK



- > Suitable for: For internal drawer box, when used in hinged door cabinet, compensates for door offset
- > Material: Plastic
- > Colour: White

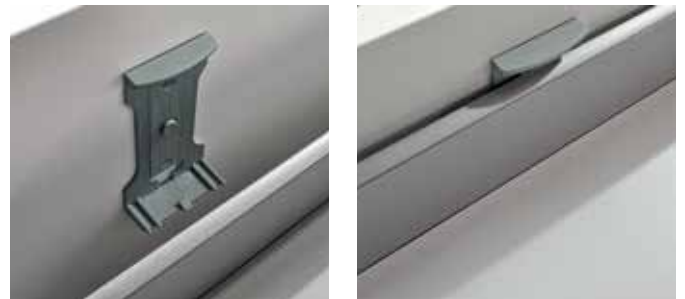
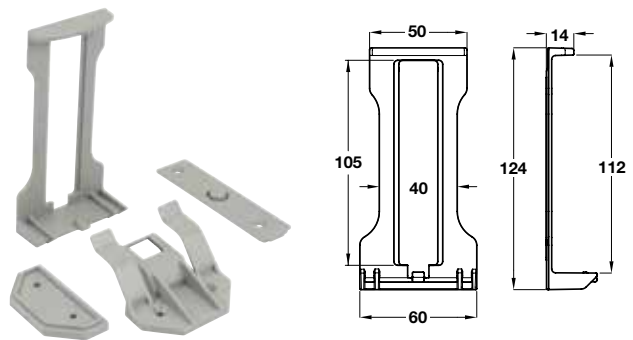
Cat. No.
553.62.700

Packing: 1 pair



- Note:**
- > 2 spacer blocks are required per pair of runners

INTERNAL DRAWER FACIA CLIP SET



- > Suitable for: Use with Häfele MX standard internal drawers only
- > Mounting: Clips onto internal drawer for automatic opening of drawer when door front pulled out
- > Material: Plastic
- > Colour: Grey

Cat. No.
559.91.991

Packing: 1 set

MACHINERY AND TOOLS

DRILLING JIG



- > Suitable for: Drilling the exact series of drilled holes for Häfele MX
- > Material: Acrylic, aluminium fixing profile

	Cat. No.
	553.69.039

Packing: 1 piece



- Supplied with:**
- > Mounting instructions

SELF CENTERING DRILL BIT



- > Suitable for: For exact drilling of drill holes when using drilling jigs for Häfele MX drawers
- > Material: Steel

Drill bit	Cat. No.
Ø 3 mm	001.25.791
Ø 5 mm	001.25.792

Packing: 1 piece

MARKING GAUGE FOR 16MM DRAWER BASES



- > Suitable for: Mounting drawer fronts after the drawer box has been installed in the cabinet, with vertical adjustment
For marking fixing points of Häfele MX front fixing brackets
- > Features: Horizontal gap between drawer fronts can be individually altered by vertically shifting the angled support bracket
- > Material: Plastic with zinc-plated steel marking pins and screws

	Cat. No.
	553.69.035

Packing: 1 piece

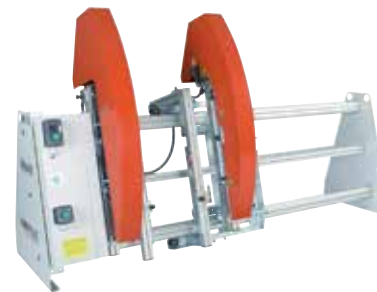
PRESSOMAT DRAWER PRESS



- > Features: For press fixing claws into drawer bases (photo shows Pressomat 200 with extension)
- > Suitable for: Galvanised steel

	Cat. No.
Pressomat 200	553.69.004

Packing: 1 piece



- > Features: For press fitting claws into drawer bottoms and assembly of rear steel panels
- > Suitable for: Rapid assembly of Häfele MX drawers
For drawers variably adjustable up to 1200 mm
- > Material: Galvanised steel

	Cat. No.
Pressomat 400	553.69.006

Packing: 1 piece

Dimensions in mm Dimensional data not binding. Images are for illustrative use only. We reserve the right to alter specifications without notice

MACHINERY AND TOOLS

DRILLING JIG FOR FRONT PANELS



- > Suitable for: For precise pre-drilling or marking series drilled holes for fixing the Häfele MX front panel
Also suitable for marking drill holes for furniture handles and knobs
- > Features: With millimetre scale
Width adjustable 40 mm, height adjustable 100 mm
- > Dimensions (L x W x H): 262 x 105 x 30 mm
- > Weight: 1 kg

	Cat. No.
	553.69.031

Packing: 1 piece



Supplied with:

- > 1 x Häfele MX drilling jig for front panels
- > 1 x Centre punch
- > 6 x Drill guides for drill bits with hole Ø 5 mm - for Varianta screws
- > 6 x Drill guides for drill bits with hole Ø 10 mm - for dowels or centre punching the drilling position
- > 1 x Case

DRAWER INSERTS

CUISIO CUTLERY TRAY FOR HÄFELE MX DRAWERS

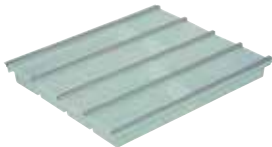


- > Area of application: Suitable for Häfele MX drawers with a depth of 500 mm
- > Material: Plastic (injection moulded) and aluminium / stainless steel profiles
- > Finish: Green or White translucent and Silver; or Graphite translucent and Stainless steel
- > For carcase width (mm): 400 –1000
- > Depth (mm): 480
- > Height (mm): 55

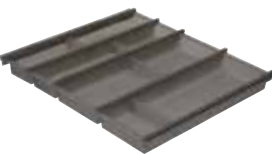
White translucent



Green translucent



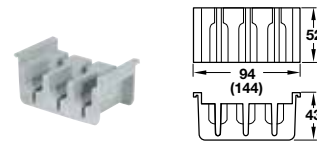
Graphite translucent



For carcase width (mm)	Actual tray width (mm)	White Translucent	Green Translucent	Graphite Translucent
400	285	553.65.723	553.65.023	553.65.823
450	335	553.65.724	553.65.024	553.65.824
500	385	553.65.725	553.65.025	553.65.825
600	485	553.65.727	553.65.027	553.65.827
800	685	553.65.728	553.65.028	553.65.828
900	785	553.65.729	553.65.029	553.65.829
1000	885	553.65.730	553.65.030	553.65.830

Packing: 1 piece

KNIFE BLOCK

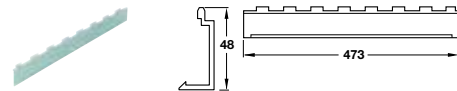


- > Material: Plastic
- > Colour: Grey
- > Features: For three or four knives
- > Mounting: Sits in cutlery tray

For compartment width (mm)	For number of knives	Cat. No.
100	3	556.90.581
150	4	556.90.582

Packing: 1 pair

END PANEL

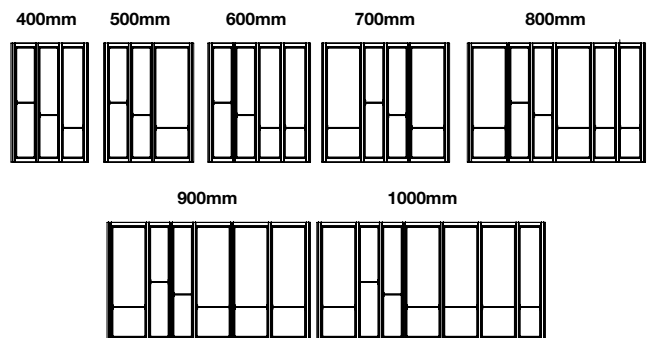


- > Area of application: For use on the side of drawer inserts, when the drawer is wider than the cutlery insert and only one insert is required
- > Material: Plastic
- > Version: Suitable for left or right side
- > Mounting: Slides into cutlery insert

Finish	Cat. No.
Green translucent	556.90.091
White translucent	556.90.691
Graphite translucent	556.90.391

Packing: 1 piece

Tray configuration



Dimensions in mm. Dimensional data not binding. Images are for illustrative use only. We reserve the right to alter specifications without notice.

DRAWER INSERTS

CONNECT DRAWER INSERT



- > Area of application: Suitable for Häfele MX drawers with a depth of 450 or 500 mm
- > Material: Plastic
- > Finish: Light Grey or Dark Grey
- > Features: Uses a practical 25 mm grid system to create a unique and customized drawer dividing system
Includes non-slip mat with every version (size: 526 x 480 mm)



Tray 40/20



Tray 30/10



Twin Divider 20/10



Angle Divider Left and Right 20/10



Connector



Non-Slip Mat

Dimensions in mm Dimensional data not binding. Images are for illustrative use only. We reserve the right to alter specifications without notice

CONNECT A

Finish	Cat. No.
Dark Grey	556.37.517
Light Grey	556.37.617

Packing: 1 kit



Supplied with:

- > 1 x Connect 40/20 tray
- > 2 x Connect 20/10 twin dividers
- > 1 x Connect 20/10 angle divider (left)
- > 4 x Connectors
- > 1 x Non-slip mat

CONNECT B

Finish	Cat. No.
Dark Grey	556.37.527
Light Grey	556.37.627

Packing: 1 kit



Supplied with:

- > 1 x Connect 40/20 tray
- > 4 x Connect 20/10 angle divider (left)
- > 5 x Connectors
- > 1 x Non-slip mat

CONNECT C

Finish	Cat. No.
Dark Grey	556.37.537
Light Grey	556.37.637

Packing: 1 kit



Supplied with:

- > 1 x Connect 40/20 tray
- > 2 x Connect 20/10 angle dividers (1 x left and 1 x right)
- > 3 x Connectors
- > 1 x Non-slip mat

CONNECT D

Finish	Cat. No.
Dark Grey	556.37.547
Light Grey	556.37.647

Packing: 1 kit

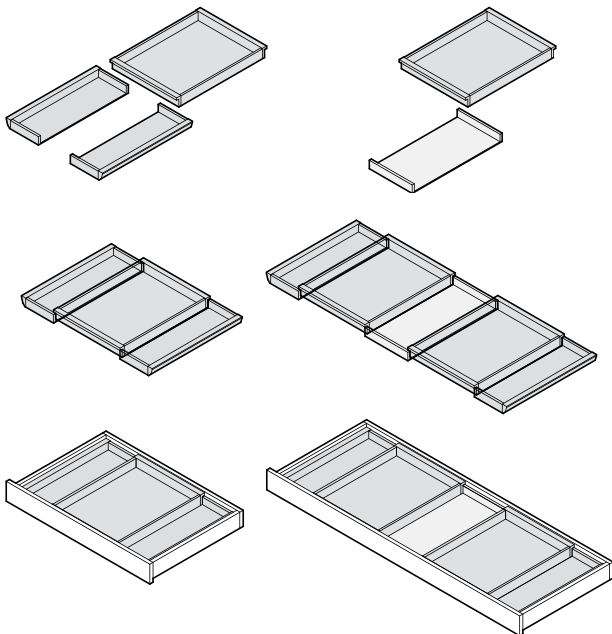


Supplied with:

- > 1 x Connect 30/10 tray
- > 2 x Connect 20/10 angle dividers (1 x left and 1 x right)
- > 3 x Connectors
- > 1 x Non-slip mat

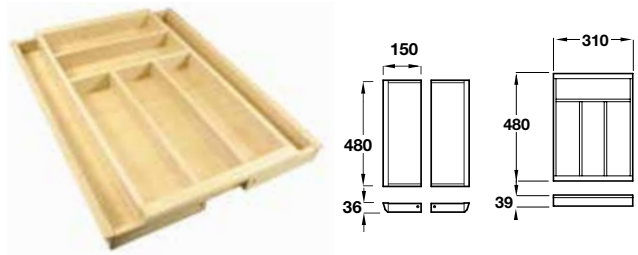
DRAWER INSERTS

FITFLEX TIMBER CUTLERY TRAY



- > Area of application: Suitable for Häfele MX drawers with a depth of 500 mm.
- > Material: Beech / plywood, lacquered visible surfaces
- > Feature: Fully adjustable width to enable cutlery tray to fit into any cabinet size

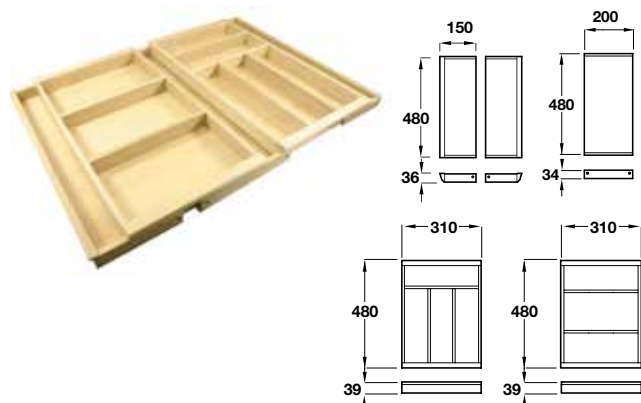
TO SUIT CABINET WIDTH OF 400 - 600 MM



	Cat. No.
	556.36.310

Packing: 1 piece

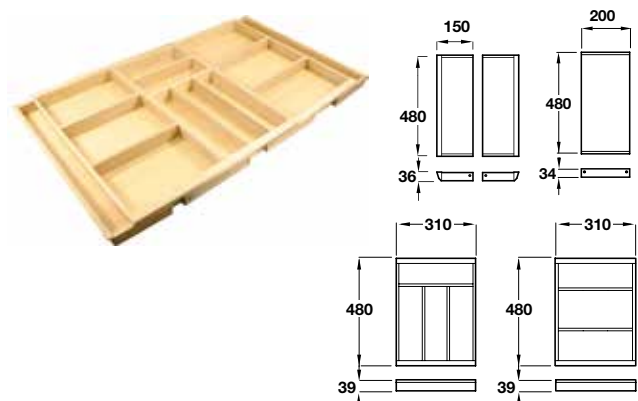
TO SUIT CABINET WIDTH OF 600 - 1000 MM



	Cat. No.
	556.36.390

Packing: 1 piece

TO SUIT CABINET WIDTHS ABOVE 1000 MM



	Cat. No.
	556.36.391

Packing: 1 piece

Dimensions in mm Dimensional data not binding. Images are for illustrative use only. We reserve the right to alter specifications without notice

DRAWER INSERTS

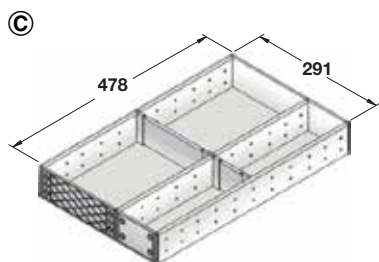
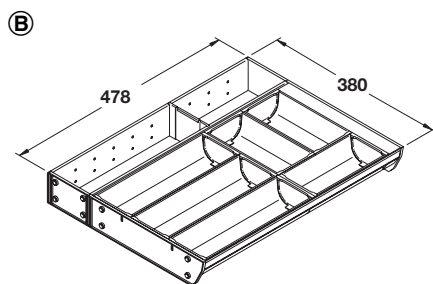
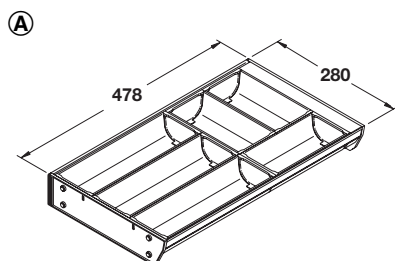
STAINLESS STEEL CUTLERY TRAYS



- > Area of application: Suitable for Häfele MX drawers with a depth of 500 mm
- > Depth (mm): 478
- > Height (mm): 64
- > Material: Stainless steel and plastic, grey

To suit cabinet width (mm)	Configuration	Cat. No.
400/450	1 x A	557.80.042
500	1 x A	557.80.052
600	1 x B	557.80.072
700	2 x A	557.80.082
800	2 x A	557.80.092
900	1 x A , 1 x B	557.80.102
1000	1 x A , 1 x B	557.80.112
1200	2 x A , 1 x C	557.80.122

Packing: 1 set



Note
Cutlery tray configurations will not fit the entire drawer width, but have been designed to provide a space left or right of the tray for long utensils.

Dimensions in mm. Dimensional data not binding. Images are for illustrative use only. We reserve the right to alter specifications without notice.

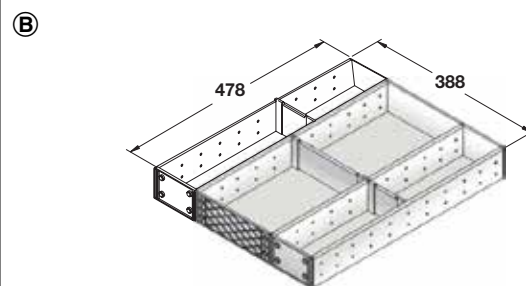
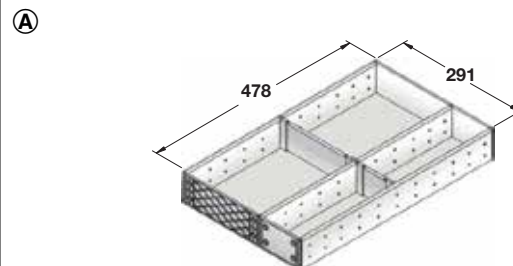
STAINLESS STEEL DRAWER ORGANISER



- > Area of application: Suitable for Häfele MX drawers with a depth of 500 mm
- > Depth (mm): 478
- > Height (mm): 64
- > Material: Stainless steel and plastic, grey

To suit cabinet width (mm)	Configuration	Cat. No.
400/450	1 x A	557.80.332
500	1 x B	557.80.352
600	1 x B	557.80.372
700	2 x A	557.80.382
800	1 x A , 1 x B	557.80.392
900	2 x B	557.80.302
1000	2 x B	557.80.412
1200	3 x A	557.80.422

Packing: 1 piece



Note
Drawer organiser configurations will not fit the entire drawer width, but have been designed to provide a space left or right of the organiser for long utensils.

DRAWER INSERTS

AGO VARIO CUTLERY TRAY



- > Area of application: Suitable for Häfele MX drawers with a depth of 500 mm
- > Material: Plastic (vacuum formed)
- > Finish: Silver - grey, White texture, carbon fibre or stainless steel
- > Depth (mm): 490 (can be trimmed to 440)
- > Height (mm): 50
- > Thickness (mm): 2.5

SILVER - GREY FINISH



	To suit cabinet width (mm)	Tray width (mm)	Cat. No.
(A)	300	200 - 240	556.53.530
(B)	400	300 - 340	556.53.540
(C)	450	350 - 390	556.53.545
(D)	500	400 - 440	556.53.550
(E)	600	500 - 540	556.53.560
(F)	800	700 - 740	556.53.580
(G)	900	800 - 840	556.53.590
(H)	1000	900 - 940	556.53.600

Packing: 1 piece

WHITE TEXTURE FINISH



	To suit cabinet width (mm)	Tray width (mm)	Cat. No.
(A)	300	200 - 240	556.53.730
(B)	400	300 - 340	556.53.740
(C)	450	350 - 390	556.53.745
(D)	500	400 - 440	556.53.750
(E)	600	500 - 540	556.53.760
(F)	800	700 - 740	556.53.780
(G)	900	800 - 840	556.53.790
(H)	1000	900 - 940	556.53.800

Packing: 1 piece

CARBON FIBRE FINISH



	To suit cabinet width (mm)	Tray width (mm)	Cat. No.
(D)	500	400 - 440	556.53.250
(E)	600	500 - 540	556.53.260
(F)	800	700 - 740	556.53.280
(G)	900	800 - 840	556.53.290

Packing: 1 piece

STAINLESS STEEL FINISH



	To suit cabinet width (mm)	Tray width (mm)	Cat. No.
(D)	500	400 - 440	556.53.050
(E)	600	500 - 540	556.53.060
(F)	800	700 - 740	556.53.080
(G)	900	800 - 840	556.53.090

Packing: 1 piece

DRAWER INSERTS

AGO VARIO ACCESSORIES KNIFE BLOCK

1



- > Material: Multiplex beech
- > Finish: Lacquered
- > Fixing Method: Self-adhesive

Cat. No.
556.53.310

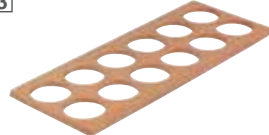
Packing: 1 piece

SPICE JAR INSERT

2



3



- > Area of Application: For spice jars with Ø55 mm
- > Material: Multiplex beech
- > Finish: Lacquered
- > Drilling Diameter (mm): Ø57

	Number of spice jars	Cat. No.
1	6	556.53.311
2	12	556.53.312

Packing: 1 piece

SPICE JAR - WITH GLASS LID



- > Area of Application: Suitable for spice jar insert
- > Material: Lead crystal glass, lid, rubber sealing ring
- > Finish: Clear
- > Version: Lid with sealing ring
- > Diameter (mm): Ø55 at base, Ø61 at lower edge of glass Ø64 with glass edge
- > Height (mm): 58 with lid, 50 without lid

Cat. No.
543.95.100

Packing: 1 piece

DIVIDER

4

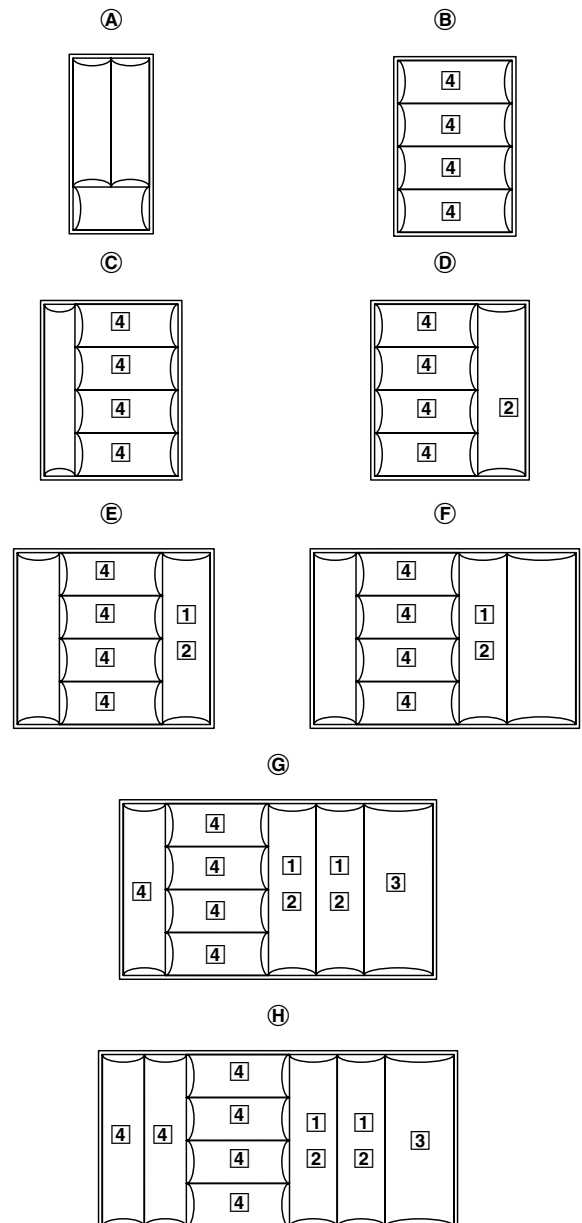


- > Material: Multiplex beech
- > Finish: Lacquered
- > Fixing Method: Self-adhesive

Cat. No.
556.53.319

Packing: 1 piece

Configuration examples

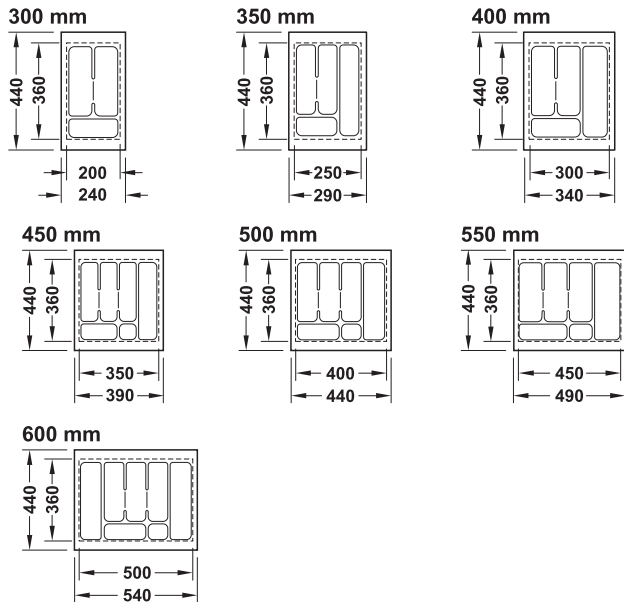


DRAWER INSERTS

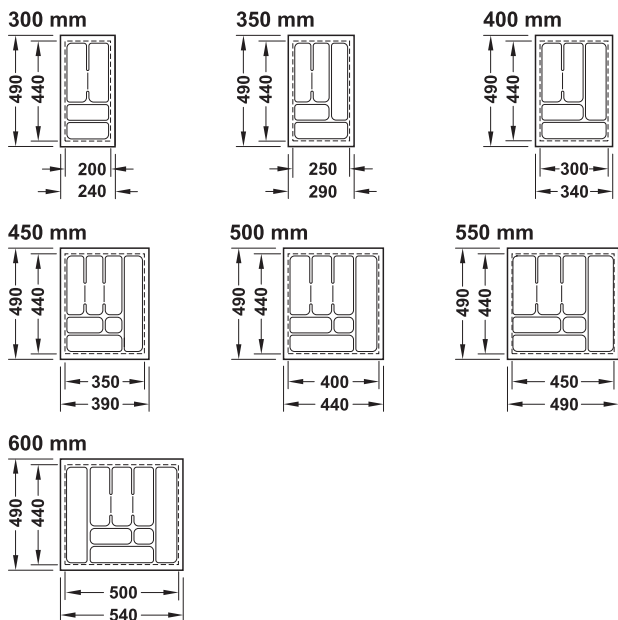
EXZELLENT II CUTLERY TRAY



Nominal length 450 mm



Nominal length 500 mm



- > Area of application: Suitable for Häfele MX drawers with a depth of 500 mm
- > Material: Plastic
- > Thickness (mm): 2.5
- > Height (mm): 57

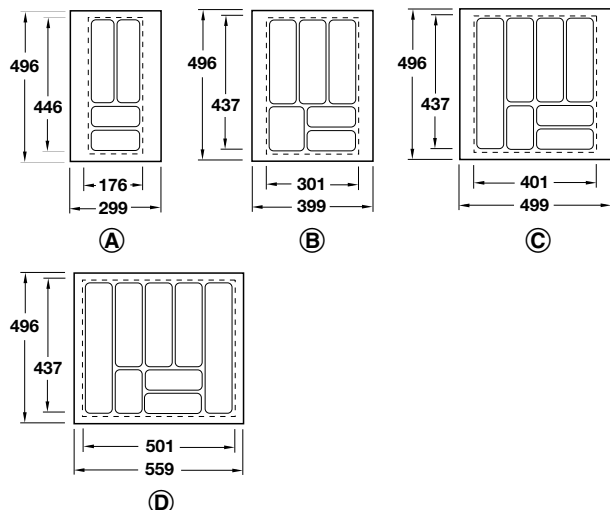
For cabinet width (mm)	Cat. No.
Nominal length 450 mm	
300	556.62.601
350	556.62.602
400	556.62.603
450	556.62.604
500	556.62.605
550	556.62.606
600	556.62.607
Nominal length 500 mm	
300	556.62.621
350	556.62.622
400	556.62.623
450	556.62.624
500	556.62.625
550	556.62.626
600	556.62.627

Packing: 1 piece

BASIC CUTLERY TRAY



- > Area of application: Suitable for Häfele MX drawers with a depth of 500 mm
- > Material: Plastic (vacuum formed)
- > Thickness (mm): 2.5
- > Finish: White grained
- > Version: With wide edge for cutting to exact drawer size
- > Height (mm): 5



	For carcass width (mm)	Cat. No.
(A)	300	556.60.752
(B)	400 - 450	556.60.761
(C)	500 - 550	556.60.770
(D)	600	556.60.789

Packing: 1 piece

Dimensions in mm Dimensional data not binding. Images are for illustrative use only. We reserve the right to alter specifications without notice

DRAWER INSERTS

ALL ROUNDER CUTLERY TRAY



- > Area of application: Suitable for Häfele MX drawers with a depth of 400 mm and 450 mm
- > Material: Plastic (vacuum formed)
- > Finish: White textured
- > Height (mm): 45
- > Thickness (mm): 2

Insert width (mm)	Insert depth (mm)	Cat. No.
305 - 390	365 - 441	556.89.781
365 - 450	365 - 441	556.89.780

Packing: 25 pieces

SMART CUTLERY TRAY

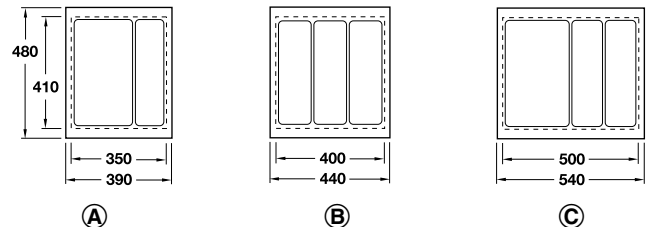


- > Area of application: Suitable for Häfele MX drawers with a depth of 500 mm
- > Material: Plastic (vacuum formed)
- > Finish: White textured
- > Height (mm): 57
- > Depth (mm): 479
- > For drawer depth (mm): 500
- > Thickness (mm): 1.5

To suit cabinet width (mm)	Insert width (mm)	Cat. No.
450	358	556.68.782

Packing: 25 pieces

EXZELLENT UTENSIL TRAY



- > Area of application: Suitable for Häfele MX drawers with a depth of 450 mm and 500 mm
- > Material: Plastic (vacuum formed)
- > Colour: White grained
- > Version: With wide edge for cutting to drawer size
- > Height (mm): 57
- > Thickness (mm): 2.5

	For carcass width (mm)	Cat. No.
Ⓐ	450	556.65.748
Ⓑ	500	556.65.757
Ⓒ	600	556.65.766

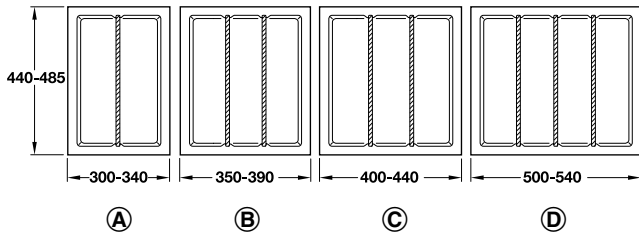
Packing: 1 piece

DRAWER INSERTS

MULTI UTENSIL INSERT



- > Area of application: Suitable for Häfele MX drawers with a depth of 500 mm
- > Material: Plastic
- > Colour: Silver-grey
- > Version: With optional dividers
- > Height (mm): 50
- > Thickness (mm): 2.5



To carcass width (mm)	Width (mm)	Cat. No.	
A	400	300 - 340	556.54.540
B	450	350 - 390	556.54.545
C	500	400 - 440	556.54.550
D	600	500 - 540	556.54.560

Packing: 1 piece



Note
Please order dividers separately

DIVIDER



- > Area of application: For dividing multi-purpose inserts longitudinally
- > Material: Beech
- > Finish: Lacquered

Cat. No.
556.54.319

Packing: 1 piece

CUTLERY HOLDER SET ASSORTMENT



- > Material: Plastic
- > Colour: Brown
- > Version: Self-adhesive, with felt covering
- > Installation: Gluing in

Assortment	For
50 pieces	12 Knives 12 Forks 12 Spoons 12 Teaspoons 2 Large individual items
70 pieces	24 Knives 24 Forks 12 Spoons 12 Teaspoons 12 Entree forks 6 Large individual items

Assortment	Cat. No.
50	891.21.111
90	891.21.139

Packing: 1 set



Note
Please order felt separately

FELT



- > Area of application: For lining the bottom of Häfele MX drawers with a depth of 500 mm
- > Colour: Brown
- > Version: Self-adhesive
- > Dimensions (mm): 1000 x 450

Cat. No.
891.21.193

Packing: 1 piece

DRAWER INSERTS

SALSA CUTLERY AND SPICE TRAY

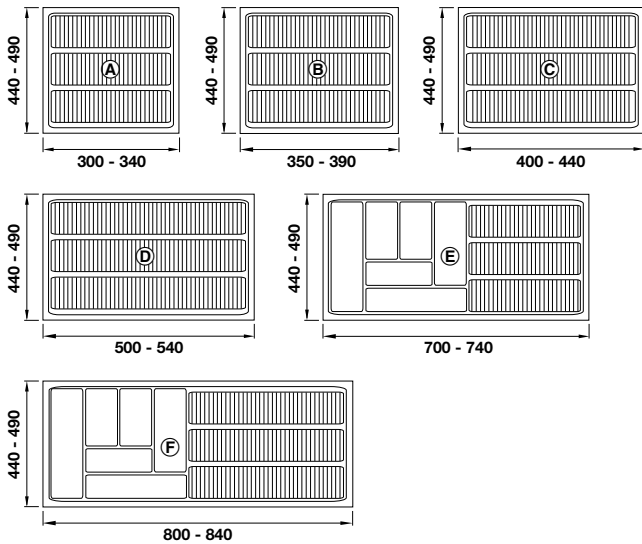


- > Area of application: Suitable for Häfele MX drawers with a depth of 500 mm
- > Material: Plastic (vacuum formed)
- > Finish: White textured or silver textured
- > Height (mm): 50
- > Thickness (mm): 2.5

	To suit cabinet width (mm)	Insert width (mm)	White textured	Silver textured
(A)	400	300 - 340	556.63.752	556.63.552
(B)	450	350 - 390	556.63.753	556.63.553
(C)	500	400 - 440	556.63.754	556.63.554
(D)	600	500 - 540	556.63.756	556.63.556
(E)	800	700 - 740	556.63.757	556.63.557
(F)	900	800 - 840	556.63.758	556.63.558

Packing: 1 piece

Dimensions (mm)



Dimensions in mm Dimensional data not binding. Images are for illustrative use only. We reserve the right to alter specifications without notice

SPICE DRAWER TRAY



- > Area of application: For storage of spice jars
- > Material: Plastic (vacuum formed)
- > Finish: White, gloss
- > Size (mm): 1300 x 550 (W x D)
- > Inside drawer height (mm): Min. 83
- > Thickness (mm): 3

Cat. No.

556.79.706

Packing: 1 piece

PLATE RACK



- > Area of application: Suitable for Häfele MX drawers with a depth of 500 mm
- > Material: Plastic (vacuum formed)
- > Finish: Silver, matt
- > Size (mm): 840 x 490 (W x D)
- > Height (mm): 60
- > Thickness (mm): 2.5

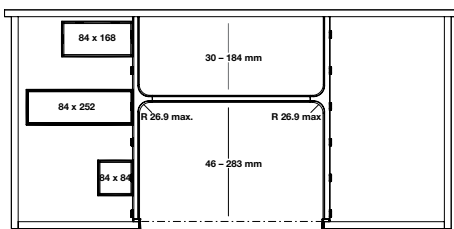
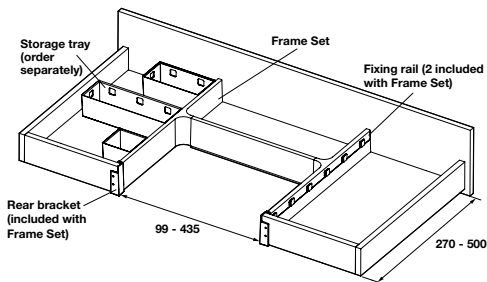
Cat. No.

556.50.557

Packing: 1 piece

UNDERSINK ORGANISER

BANIO ORGANISATION SYSTEM



BANIO FRAME SET



- > Area of application: Suitable for Häfele MX undersink drawers
- > Version: Length and width adjustable by cutting the centre and side components
- > Material: Plastic
- > Finish: White or Dark Grey
- > Supplied with: 2 x side components
1 x centre component
2 x positioning strips
2 x rear panel brackets

Finish	Cat. No.
White	556.23.704
Dark Grey	556.23.604

Packing: 20 pieces

BANIO FIXING RAIL



- > Length x height x depth: 505 x 27 x 8 mm
- > Features: Fix to flat surface such as cabinet wall with double-sided adhesive tape or glue (ensure adhesive used is suitable for application)
- > Material: Plastic
- > Finish: White or Dark Grey
- > Dimensions: 505 x 27 x 8 mm

Finish	Cat. No.
White	556.23.790
Dark Grey	556.23.693

Packing: 1 piece

BANIO STORAGE TRAYS



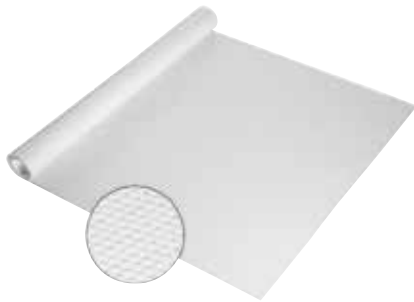
- > Suitable for: Banio frame set, fixing rail or free standing
- > Version: Robust and easy to clean
- > Material: Plastic
- > Finish: White or Graphite translucent
- > Dimensions: Small tray: 65 x 84 x 84 mm
Medium tray: 65 x 168 x 84 mm
Large tray: 65 x 251 x 84 mm

Finish	Size	Cat. No.
White translucent	Small	556.23.720
	Medium	556.23.721
	Large	556.23.722
Graphite translucent	Small	556.23.320
	Medium	556.23.321
	Large	556.23.322

Packing: 1 piece

DRAWER MATS

ANTI-SLIP MATS



- > Material: Polystyrene/rubber
- > Colour: White or silver coloured
- > Finish: Napped
- > Width (mm): 1550

Length (mm)	Colour	Cat. No.
500	White	547.90.790
	Silver	547.90.990
10,000	White	547.90.715
	Light Grey	547.90.515
	Anthracite	547.90.315

Packing: 1 piece

PRE-CUT ANTI-SLIP MATS WITH SILVER OR WHITE FINISH



- > Material: Polystyrene/rubber
- > Finish: Silver coloured
- > Area of application: Suitable for all Häfele MX drawers with a depth of 500 mm (mat depth = 480 mm)

To suit cabinet width (mm)	Mat width (mm)	Cat. No.
450	352	557.71.044
600	502	557.71.047
900	802	557.71.049
1200	1102	557.71.050

Packing: 1 piece

INSERT MAT WITH STRIPS



Silver coloured grained



Maple effect

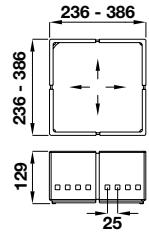
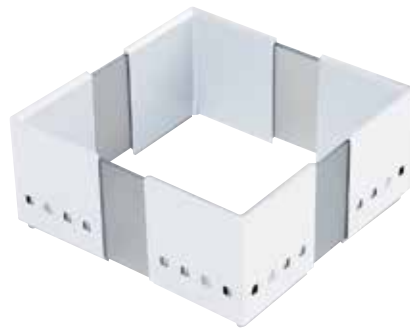
- > Material: Plastic
- > Version: Insert mat with non-slip rubber strips, can be cut to fit any length and width

Finish/colour	Dim. (mm)	Cat. No.
Mat: Silver coloured grained	510 x 600	547.96.567
Rubber strips: Black	810 x 600	547.96.577
Mat: Maple effect	510 x 600	547.96.167
Rubber strips: Silver coloured	810 x 600	547.96.177

Packing: 1 piece

DRAWER INSERTS

CUISIOFLEX



*White translucent shown

- > Area of application: For organising plates, dishes, pots and pans and other kitchen items
- > Material: Plastic
- > Features: Subdivision frame with telescopic adjustability
Flexible for use in all popular drawer sizes and styles
Set of two expandable frames

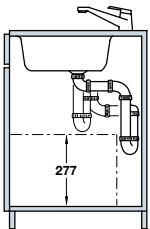
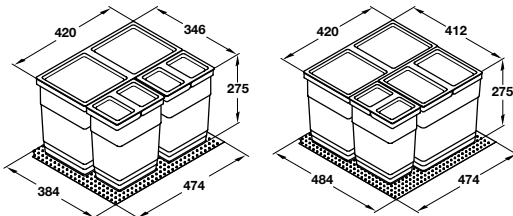
Finish	Cat. No.
Green translucent with alu-grey corners	556.81.502
White translucent with white corners	556.81.772
Graphite translucent with graphite corners	556.81.332

Packing: 1 piece

COMING SOON!
ONE2FIVE HANGING
WASTE BIN TO SUIT
HÄFELE MX DRAWERS

WASTE BINS

ONE2FOUR WASTE BIN SYSTEM



- > Area of Application: Suitable for Häfele MX drawers with a length of 500 mm
- > Material: Plastic
- > Colour: Light Grey
- > Height (mm): Min. 280

To suit cabinet width (mm)	Bin capacity (ltr)	Cat. No.
500	1 x 21 and 2 x 6	502.90.925
600	1 x 21, 1 x 13.5 and 1 x 6	502.90.935

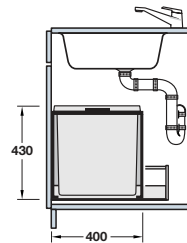
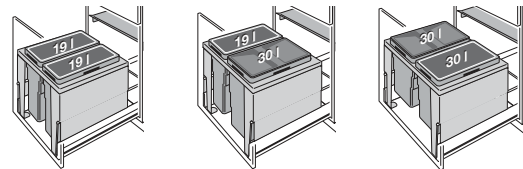
Packing: 1 set



Supplied with:
> Fixing materials

Dimensions in mm Dimensional data not binding. Images are for illustrative use only. We reserve the right to alter specifications without notice

XXXL WASTE BIN SET



- > Area of Application: For installation with Häfele MX drawers with a length from 450 mm
- > Material: Lid and frame: Steel
Pails: Plastic
- > Finish: White powder coat and Grey
- > Height (mm): Min. 430
- > Suitable For: All Häfele MX drawers with a length of 450 mm and above

To suit cabinet width (mm)	Bin capacity (ltr)	Cat. No.
450	2 x 19	502.04.541
500	1 x 19 and 1 x 30	502.04.542
600	2 x 30	502.04.543

Packing: 1 set



Supplied with:
> Fixing materials
> 1 x 30 ltr individual pail lid for 502.04.532 and 502.04.533
> Lid cover plate

HÄFELE MX.

PREMIUM PRODUCTION TO OUTSTANDING SERVICE.





Established as the leading brand amongst those in the trade, Häfele have been helping people make the most of their homes for over 90 years. Now a worldwide respected name in 50 countries, the humble beginnings of Häfele starts in the South of Germany – A family run business then and now, Häfele was built on solid foundations including the highest quality products, a commitment to improving the way furniture works and looks, and most importantly, a passion for outstanding service.

The Häfele MX Drawer System is our latest product innovation from Häfele. Designed and manufactured on site at Häfele Germany, we are incredibly proud of this new system that combines our reputation for product innovation with premium production and finishing.

Outstanding customer service comes as standard with our free technical advice from Häfele's specially qualified support team. It is quick and easy to order too either by phone, email, or online at www.hafele.com.au

3 WAYS TO BUY:

-  www.hafele.com.au
-  1300 659 728
-  info@hafele.com.au

< Häfele Production Plant - Kenzingen, Germany

v Häfele Australia Headquarters - Melbourne, Australia



INDEX

HÄFELE MX DRAWER SYSTEMS

001.	551.52.106.....31	551.54.122.....21	551.54.904.....21
001.25.791.....38	551.52.300.....31	551.54.123.....21	551.54.905.....21
001.25.792.....38	551.52.301.....31	551.54.124.....21	551.54.906.....21
	551.52.302.....31	551.54.125.....21	551.54.920.....21
262.	551.52.303.....31	551.54.126.....21	551.54.921.....21
262.26.033.....36	551.52.304.....31	551.54.146.....21	551.54.922.....21
262.28.611.....36	551.52.305.....31	551.54.185.....29	551.54.923.....21
	551.52.306.....31	551.54.300.....21	551.54.924.....21
502.	551.52.700.....31	551.54.301.....21	551.54.925.....21
502.04.541.....53	551.52.701.....31	551.54.302.....21	551.54.926.....21
502.04.542.....53	551.52.702.....31	551.54.303.....21	551.54.946.....21
502.04.543.....53	551.52.703.....31	551.54.304.....21	551.54.985.....29
502.90.925.....53	551.52.704.....31	551.54.305.....21	551.55.100.....24
502.90.935.....53	551.52.705.....31	551.54.306.....21	551.55.101.....24
	551.52.706.....31	551.54.320.....21	551.55.102.....24
543.	551.52.900.....31	551.54.321.....21	551.55.103.....24
543.95.100.....45	551.52.901.....31	551.54.322.....21	551.55.104.....24
	551.52.902.....31	551.54.323.....21	551.55.105.....24
547.	551.52.903.....31	551.54.324.....21	551.55.106.....24
547.90.315.....51	551.52.904.....31	551.54.325.....21	551.55.120.....24
547.90.515.....51	551.52.905.....31	551.54.326.....21	551.55.121.....24
547.90.715.....51	551.52.906.....31	551.54.346.....21	551.55.122.....24
547.90.790.....51	551.53.103.....30	551.54.385.....29	551.55.123.....24
547.90.990.....51	551.53.104.....30	551.54.700.....21	551.55.124.....24
547.96.167.....51	551.53.105.....30	551.54.701.....21	551.55.125.....24
547.96.177.....51	551.53.106.....30	551.54.702.....21	551.55.126.....24
547.96.567.....51	551.53.303.....30	551.54.703.....21	551.55.146.....24
547.96.577.....51	551.53.304.....30	551.54.704.....21	551.55.300.....24
	551.53.305.....30	551.54.705.....21	551.55.301.....24
551.	551.53.306.....30	551.54.706.....21	551.55.302.....24
551.50.900.....31	551.53.903.....30	551.54.720.....21	551.55.303.....24
551.50.901.....31	551.53.904.....30	551.54.721.....21	551.55.304.....24
551.50.902.....31	551.53.905.....30	551.54.722.....21	551.55.305.....24
551.50.903.....31	551.53.906.....30	551.54.723.....21	551.55.306.....24
551.50.904.....31	551.54.100.....21	551.54.724.....21	551.55.320.....24
551.50.905.....31	551.54.101.....21	551.54.725.....21	551.55.321.....24
551.50.906.....31	551.54.102.....21	551.54.726.....21	551.55.322.....24
551.52.100.....31	551.54.103.....21	551.54.746.....21	551.55.323.....24
551.52.101.....31	551.54.104.....21	551.54.785.....29	551.55.324.....24
551.52.102.....31	551.54.105.....21	551.54.900.....21	551.55.325.....24
551.52.103.....31	551.54.106.....21	551.54.901.....21	551.55.326.....24
551.52.104.....31	551.54.120.....21	551.54.902.....21	551.55.346.....24
551.52.105.....31	551.54.121.....21	551.54.903.....21	551.55.700.....24

Dimensions in mm Dimensional data not binding. Images are for illustrative use only. We reserve the right to alter specifications without notice

551.55.701.....	24	551.57.721.....	22	551.60.720.....	27	551.67.125.....	23
551.55.702.....	24	551.57.722.....	22	551.60.721.....	27	551.67.126.....	23
551.55.703.....	24	551.57.723.....	22	551.60.722.....	27	551.67.146.....	23
551.55.704.....	24	551.57.724.....	22	551.60.723.....	27	551.67.160.....	25
551.55.705.....	24	551.57.725.....	22	551.60.724.....	27	551.67.161.....	25
551.55.706.....	24	551.57.726.....	22	551.60.725.....	27	551.67.162.....	25
551.55.720.....	24	551.57.746.....	22	551.60.726.....	27	551.67.163.....	25
551.55.721.....	24	551.57.900.....	22	551.60.900.....	28	551.67.164.....	25
551.55.722.....	24	551.57.901.....	22	551.60.901.....	28	551.67.165.....	25
551.55.723.....	24	551.57.902.....	22	551.60.902.....	28	551.67.166.....	25
551.55.724.....	24	551.57.903.....	22	551.60.903.....	28	551.67.170.....	25
551.55.725.....	24	551.57.904.....	22	551.60.904.....	28	551.67.171.....	25
551.55.726.....	24	551.57.905.....	22	551.60.905.....	28	551.67.172.....	25
551.55.746.....	24	551.57.906.....	22	551.60.906.....	28	551.67.173.....	25
551.55.900.....	24	551.57.920.....	22	551.60.920.....	27	551.67.174.....	25
551.55.901.....	24	551.57.921.....	22	551.60.921.....	27	551.67.175.....	25
551.55.902.....	24	551.57.922.....	22	551.60.922.....	27	551.67.176.....	25
551.55.903.....	24	551.57.923.....	22	551.60.923.....	27	551.67.186.....	25
551.55.904.....	24	551.57.924.....	22	551.60.924.....	27	551.67.300.....	23
551.55.905.....	24	551.57.925.....	22	551.60.925.....	27	551.67.301.....	23
551.55.906.....	24	551.57.926.....	22	551.60.926.....	27	551.67.302.....	23
551.55.920.....	24	551.57.946.....	22	551.60.999.....	28	551.67.303.....	23
551.55.921.....	24	551.60.100.....	28	551.61.111.....	26	551.67.304.....	23
551.55.922.....	24	551.60.101.....	28	551.61.115.....	26	551.67.305.....	23
551.55.923.....	24	551.60.102.....	28	551.61.119.....	26	551.67.306.....	23
551.55.924.....	24	551.60.103.....	28	551.61.180.....	36	551.67.320.....	23
551.55.925.....	24	551.60.104.....	28	551.61.192.....	26	551.67.321.....	23
551.55.926.....	24	551.60.105.....	28	551.61.311.....	26	551.67.322.....	23
551.55.946.....	24	551.60.106.....	28	551.61.315.....	26	551.67.323.....	23
551.57.300.....	22	551.60.120.....	27	551.61.319.....	26	551.67.324.....	23
551.57.301.....	22	551.60.121.....	27	551.61.380.....	36	551.67.325.....	23
551.57.302.....	22	551.60.122.....	27	551.61.391.....	26	551.67.326.....	23
551.57.303.....	22	551.60.123.....	27	551.61.392.....	26	551.67.346.....	23
551.57.304.....	22	551.60.124.....	27	551.61.780.....	36	551.67.360.....	25
551.57.305.....	22	551.60.125.....	27	551.61.911.....	26	551.67.361.....	25
551.57.306.....	22	551.60.126.....	27	551.61.915.....	26	551.67.362.....	25
551.57.320.....	22	551.60.199.....	28	551.61.919.....	26	551.67.363.....	25
551.57.321.....	22	551.60.300.....	28	551.61.980.....	36	551.67.364.....	25
551.57.322.....	22	551.60.301.....	28	551.61.991.....	26	551.67.365.....	25
551.57.323.....	22	551.60.302.....	28	551.61.992.....	26	551.67.366.....	25
551.57.324.....	22	551.60.303.....	28	551.67.100.....	23	551.67.370.....	25
551.57.325.....	22	551.60.304.....	28	551.67.101.....	23	551.67.371.....	25
551.57.326.....	22	551.60.305.....	28	551.67.102.....	23	551.67.372.....	25
551.57.346.....	22	551.60.306.....	28	551.67.103.....	23	551.67.373.....	25
551.57.700.....	22	551.60.320.....	27	551.67.104.....	23	551.67.374.....	25
551.57.701.....	22	551.60.321.....	27	551.67.105.....	23	551.67.375.....	25
551.57.702.....	22	551.60.322.....	27	551.67.106.....	23	551.67.376.....	25
551.57.703.....	22	551.60.323.....	27	551.67.120.....	23	551.67.386.....	25
551.57.704.....	22	551.60.324.....	27	551.67.121.....	23	551.67.700.....	23
551.57.705.....	22	551.60.325.....	27	551.67.122.....	23	551.67.701.....	23
551.57.706.....	22	551.60.326.....	27	551.67.123.....	23	551.67.702.....	23
551.57.720.....	22	551.60.599.....	28	551.67.124.....	23	551.67.703.....	23

551.67.704.....23	551.67.974.....25	553.60.602.....28	556.23.720.....50
551.67.705.....23	551.67.975.....25	553.60.603.....28	556.23.721.....50
551.67.706.....23	551.67.976.....25	553.60.604.....28	556.23.722.....50
551.67.720.....23	551.67.986.....25	553.60.605.....28	556.23.790.....50
551.67.721.....23		553.60.606.....28	556.36.310.....42
551.67.722.....23	553.	553.60.699.....28	556.36.390.....42
551.67.723.....23	553.50.020.....31	553.61.611.....26	556.36.391.....42
551.67.724.....23	553.50.021.....31	553.61.615.....26	556.37.517.....41
551.67.725.....23	553.50.022.....31	553.61.619.....26	556.37.527.....41
551.67.726.....23	553.50.023.....31	553.61.691.....26	556.37.537.....41
551.67.746.....23	553.50.024.....31	553.61.692.....26	556.37.547.....41
551.67.760.....25	553.50.025.....31	553.61.781.....37	556.37.617.....41
551.67.761.....25	553.50.026.....31	553.62.700.....37	556.37.627.....41
551.67.762.....25	553.50.066.....31	553.65.023.....40	556.37.637.....41
551.67.763.....25	553.59.400.....27	553.65.024.....40	556.37.647.....41
551.67.764.....25	553.59.401.....27	553.65.025.....40	556.50.557.....49
551.67.765.....25	553.59.402.....27	553.65.027.....40	556.53.050.....44
551.67.766.....25	553.59.403.....27	553.65.028.....40	556.53.060.....44
551.67.770.....25	553.59.404.....27	553.65.029.....40	556.53.080.....44
551.67.771.....25	553.59.405.....27	553.65.030.....40	556.53.090.....44
551.67.772.....25	553.59.406.....27	553.65.723.....40	556.53.250.....44
551.67.773.....25	553.59.434.....27	553.65.724.....40	556.53.260.....44
551.67.774.....25	553.59.439.....27	553.65.725.....40	556.53.280.....44
551.67.775.....25	553.59.600.....27	553.65.727.....40	556.53.290.....44
551.67.776.....25	553.59.601.....27	553.65.728.....40	556.53.310.....45
551.67.786.....25	553.59.602.....27	553.65.729.....40	556.53.311.....45
551.67.900.....23	553.59.603.....27	553.65.730.....40	556.53.312.....45
551.67.901.....23	553.59.604.....27	553.65.823.....40	556.53.319.....45
551.67.902.....23	553.59.605.....27	553.65.824.....40	556.53.530.....44
551.67.903.....23	553.59.606.....27	553.65.825.....40	556.53.540.....44
551.67.904.....23	553.59.634.....27	553.65.827.....40	556.53.545.....44
551.67.905.....23	553.59.639.....27	553.65.828.....40	556.53.550.....44
551.67.906.....23	553.59.900.....27	553.65.829.....40	556.53.560.....44
551.67.920.....23	553.59.901.....27	553.65.830.....40	556.53.580.....44
551.67.921.....23	553.59.902.....27	553.69.004.....38	556.53.590.....44
551.67.922.....23	553.59.903.....27	553.69.006.....38	556.53.600.....44
551.67.923.....23	553.59.904.....27	553.69.020.....36	556.53.730.....44
551.67.924.....23	553.59.905.....27	553.69.031.....39	556.53.740.....44
551.67.925.....23	553.59.906.....27	553.69.035.....38	556.53.745.....44
551.67.926.....23	553.59.934.....27	553.69.039.....38	556.53.750.....44
551.67.946.....23	553.59.939.....27	553.78.403.....30	556.53.760.....44
551.67.960.....25	553.59.991.....36	553.78.404.....30	556.53.780.....44
551.67.961.....25	553.59.995.....36	553.78.405.....30	556.53.790.....44
551.67.962.....25	553.60.140.....28	553.78.406.....30	556.53.800.....44
551.67.963.....25	553.60.141.....28		556.54.319.....48
551.67.964.....25	553.60.142.....28	556.	556.54.540.....48
551.67.965.....25	553.60.143.....28	556.23.320.....50	556.54.545.....48
551.67.966.....25	553.60.144.....28	556.23.321.....50	556.54.550.....48
551.67.970.....25	553.60.145.....28	556.23.322.....50	556.54.560.....48
551.67.971.....25	553.60.146.....28	556.23.604.....50	556.60.752.....46
551.67.972.....25	553.60.600.....28	556.23.693.....50	556.60.761.....46
551.67.973.....25	553.60.601.....28	556.23.704.....50	556.60.770.....46

Dimensions in mm Dimensional data not binding. Images are for illustrative use only. We reserve the right to alter specifications without notice

556.60.789.....	46	557.80.092.....	43
556.62.601.....	46	557.80.102.....	43
556.62.602.....	46	557.80.112.....	43
556.62.603.....	46	557.80.122.....	43
556.62.604.....	46	557.80.302.....	43
556.62.605.....	46	557.80.332.....	43
556.62.606.....	46	557.80.352.....	43
556.62.607.....	46	557.80.372.....	43
556.62.621.....	46	557.80.382.....	43
556.62.622.....	46	557.80.392.....	43
556.62.623.....	46	557.80.412.....	43
556.62.624.....	46	557.80.422.....	43
556.62.625.....	46		
556.62.626.....	46	558.	
556.62.627.....	46	558.73.017.....	37
556.63.552.....	49	558.73.035.....	37
556.63.553.....	49		
556.63.554.....	49	559.	
556.63.556.....	49	559.91.991.....	37
556.63.557.....	49		
556.63.558.....	49	891.	
556.63.752.....	49	891.21.111.....	48
556.63.753.....	49	891.21.139.....	48
556.63.754.....	49	891.21.193.....	48
556.63.756.....	49		
556.63.757.....	49		
556.63.758.....	49		
556.65.748.....	47		
556.65.757.....	47		
556.65.766.....	47		
556.68.782.....	47		
556.79.706.....	49		
556.81.332.....	52		
556.81.502.....	52		
556.81.772.....	52		
556.89.780.....	47		
556.89.781.....	47		
556.90.091.....	40		
556.90.391.....	40		
556.90.581.....	40		
556.90.582.....	40		
556.90.691.....	40		
557.			
557.71.044.....	51		
557.71.047.....	51		
557.71.049.....	51		
557.71.050.....	51		
557.80.042.....	43		
557.80.052.....	43		
557.80.072.....	43		
557.80.082.....	43		

HÄFELE

732.98.651 HÄFELE MX DRAWER SYSTEMS - 07.2016

Häfele Australia Pty. Ltd. | 8 Monterey Road | Dandenong | Victoria 3175
Phone: 1300 659 728 | **Fax:** (03) 9212 2001 | **Email:** info@hafele.com.au | www.hafele.com.au

Häfele New Zealand Ltd. | 16 Accent Drive | East Tamaki | Auckland 2013
Phone: 0800 442 335 | **Email:** info@hafele.co.nz | www.hafele.co.nz

HÄFELE LOCATIONS:

Australia | MELBOURNE | SYDNEY | NEWCASTLE | BRISBANE | ADELAIDE | LAUNCESTON | HOBART | PERTH
New Zealand | AUCKLAND | WELLINGTON | CHRISTCHURCH