

2017 / 2018



INNOVATIVE HIDDEN STORAGE SOLUTIONS



hideawaybins.com.au / neat thinking®


Hideaway®



kitchen



bathroom



Laundry



Anywhere!

waste / recycling / storage...sorted with a Hideaway® Bin

Hideaway Bins are ideal for use as a hidden storage solution within any area of your home - kitchen, bathroom, laundry...anywhere. Three intelligently designed, New Zealand made ranges are available, offering a simple and stylish space-saving solution.

A Hideaway® Bin is a practical solution that slides away inside the cabinet and is completely hidden from sight until needed. The bins are both ergonomic and functional as they are designed to be mounted at bench height and pull out towards you, allowing easy disposal of waste without having to bend inside low cupboards.

Units are easy to clean and maintain. This provides the consumer with a simple answer for storing waste and recycling within the kitchen, hygienically disposing of bathroom waste or sorting whites from colours within the laundry.

With each of the three ranges offering distinctive features, there is sure to be a Hideaway Bin to suit the requirements of any commercial or residential project.

The **HIDEAWAY® SOFT CLOSE RANGE** is fitted with high quality, German ball bearing soft close runners which allow a smooth and controlled closure of the unit. The bin also has a friction-fitted lid to seal in odours, which is treated with a Clinikill™ antibacterial powder coating to fight yeast, bacteria and fungi for a hygienic storage solution.

The **HIDEAWAY® DELUXE RANGE** has a friction-fitted lid to seal in odours, which is treated with a Clinikill™ antibacterial powder coating to fight yeast, bacteria and fungi for a hygienic waste solution. The units operate with manual open and close ball bearing runners.

The **HIDEAWAY® COMPACT RANGE** is suitable for areas of limited space as well as offering price competitive options. The units operate with high quality, soft close ball bearing runners.

KITCHEN STORAGE SOLUTION



HIDEAWAY® 40L BINS with Patented Air Vent System

The 40ltr bucket range offers you the largest double bin volume available - **80 litres!**

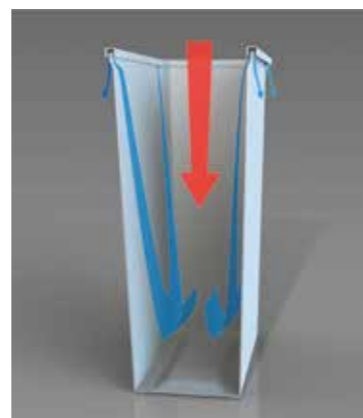
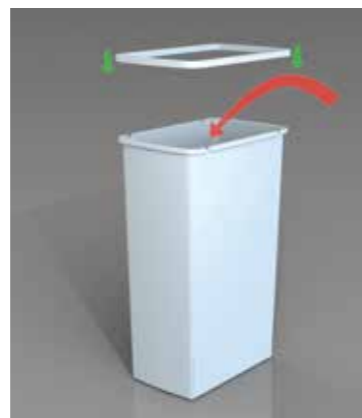
A patented **air vent system** maximises bag volume.

Available in 1 x 40L and 2 x 40L models as part of our Soft Close and Compact bin ranges.

Vents - Four U-shaped air vents allow trapped air to escape through the lip of the bucket, as you push your bag into the bucket cavity.

Vent design - This unique, patented design will eliminate the frustration of trapped air restricting your liner, maximising bag volume.

Liner holder - Holds your bag in place without covering the vents, so trapped air can escape as you begin to fill your bag.



Patent No. (NZ) 597337 Patent No. (AUS) 2012100163
Design No. (NZ) 415678 (AUS) 341286

Learn more about the key features of this exciting bin solution...

Bucket configurations - Single or double, up to 80ltrs!

Mounting options - Top mount and/or side mount.

Installation options - Door or handle pull.

Colour options - Arctic White.

High quality, soft close ball bearing runners - Over-extend for easy bucket removal.

Antibacterial friction-fitted lid - Creates a seal and offers odour control. A Clinikill™ powder coat keeps the bin solution hygienic.*

Refer to pg 15 for more Clinikill™ info.

Buckets - Made from food-grade, recyclable polypropylene.

Additional features - Pitch adjustment.

* Soft Close models only

COMPACT STORAGE SOLUTION



HIDEAWAY® 15L BIN Ideal for areas with limited space

Use the 15L bin for disposal of your bathroom waste. The Hideaway Compact 15L bin allows sink plumbing to be directed behind the bin, allowing more room in the other drawers or cupboards for personals.



IDEAS: A single 15L Hideaway Compact bin could also be installed beneath a shelf or sink to **hold bulk laundry powder** or used as a space-saving waste solution for **motor homes**.

COMPACT 15L BIN FEATURES:

Bucket - Fits a common plastic supermarket shopping bag. Made from a recyclable, food grade polypropylene plastic. All buckets come complete with a liner holder to hold your bag in place.

Mounting Options - Top mount and/or side mount.

Metal Gauge - 1.0mm zinc treated steel, powder coated for durability.

High quality, soft close ball bearing runners - Over-extend for easy bucket removal.

LAUNDRY STORAGE SOLUTIONS



HIDEAWAY® 60L LAUNDRY HAMPER

Top/Side and Base Mounting Options

Hide your laundry, store your extra linen or use as a removable washing basket - the Hideaway Soft Close Laundry Hamper is a high quality storage solution for your home.

Featuring air vents to reduce moisture and a robust steel frame designed to withstand the weight of wet washing, this innovative system is a must for your laundry!

Two exciting models are available: the Top and/or Side Mount unit and the ergonomic Base Mount unit. Both models include the same high quality, light-weight plastic hamper with moulded handles for easy grip and solid base to prevent drips.

The Base Mount unit, ideal for use **under a laundry chute**, is a great solution for those who require a **simple lift out solution** - no hip height runners to clear, just lift straight from the base unit, simple!

PLASTIC HAMPER FEATURES...

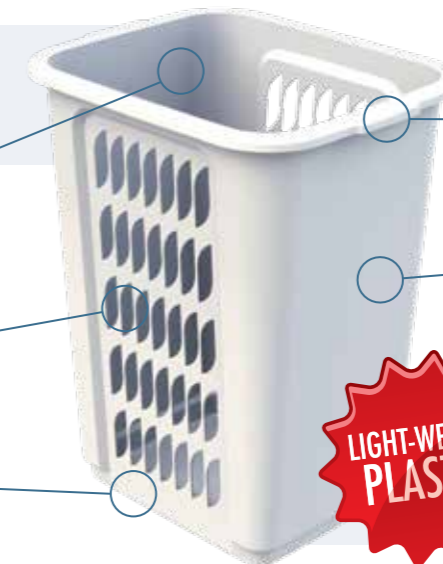
Included with both the Top/Side Mount and Base Mount Models

TOP/SIDE MOUNT MODEL:
HAMPER LIP RESTS SECURELY ON THE STEEL FRAME

HAMPER HOLDS UP TO 60 LITRES

AIR VENTS

SOLID BASE TO PREVENT DRIPS



MOULDED HANDLES FOR EASY REMOVAL

QUALITY POLYPROPYLENE BUCKET

BASE MOUNT MODEL:
HAMPER BASE FITS SECURELY INTO THE BASE MOUNT STEEL FRAME



TOP/SIDE MOUNT MODEL
SCL160D-W

BASE MOUNT MODEL
SCLBM160D-W

BOTH MODELS

FEATURES OF BOTH HAMPER MODELS:

Hamper configuration - Single hamper holds up to 60ltrs.
Hamper - Made from light-weight, recyclable polypropylene. Moulded handles for easy removal. Air vents for ventilation. Solid base to prevent drips. Gentle on clothing - no risk of snags.
Runners - High quality German ball bearing soft-close runners that create a controlled close through the use of an air vacuum

dampener. The runners over-extend for easy removal of hamper from beneath the bench top and have a dynamic weight loading of 52kgs!

High quality construction - Robust 1.2mm zinc treated steel frame work, powder coated for durability.
Pitch adjustment - In the door bracket.

BASE MOUNT

UNIQUE BASE MOUNT FEATURES:

Base mount frame - Because the unit is base mounted, this allows clear access to the top of the hamper, making it an ideal solution to use with a laundry chute.
Ergonomic Design - Requires minimal effort to lift hamper from the frame - no high runners to clear, making it ideal for aged care.
Runners - As well as the features above, all moving parts on this

model are covered and runners are concealed to ensure clothing is not damaged when used with a laundry chute. A stylish door bracket cover is included to cover all fixings.

Handle support - The handle support on the door fascia ensures the hamper locks into place when used in conjunction with a laundry chute.

REFER TO THE SOFT CLOSE RANGE SECTION ON PAGES 8 & 9 FOR MORE INFO



COMMERCIAL RECYCLING

HIDEAWAY® 50L RECYCLING STATION Multiple Soft Close 50L Bins

The drive to protect our planet from excess waste has never been stronger. Make your recycling solution easy to use, durable and hygienic with Hideaway Bins.

The installation of 50L Hideaway Bins side by side is an innovative solution for separating waste and recycling – and better yet, the bins slide away out of sight, keeping the room clear of clutter.

Hideaway Bins are designed with quality materials to ensure the units withstand the challenges posed in a commercial environment. For strength, the framework is made from zinc treated steel which has also been powder-coated for durability. High quality runners are designed to **hold up to 52kgs** and they over extend so the bucket can be easily removed from beneath the benchtop. Hideaway Bins are designed to be mounted at bench height and pull out towards the user making the units both ergonomic and functional.

The buckets are made from a food-grade polypropylene and come complete with a liner holder designed to keep the bin liner in place. All buckets fit standard bin liners available from local supermarket chains.

The friction-fitted lid that features in the Soft Close range has a **Clinikill™ powder coating** to fight harmful bacteria, yeast and fungi – keeping the bins hygienic.

If space is limited, large twin bin solutions are also available with double bin options to choose from, including twin 15, 20 or 40L buckets.



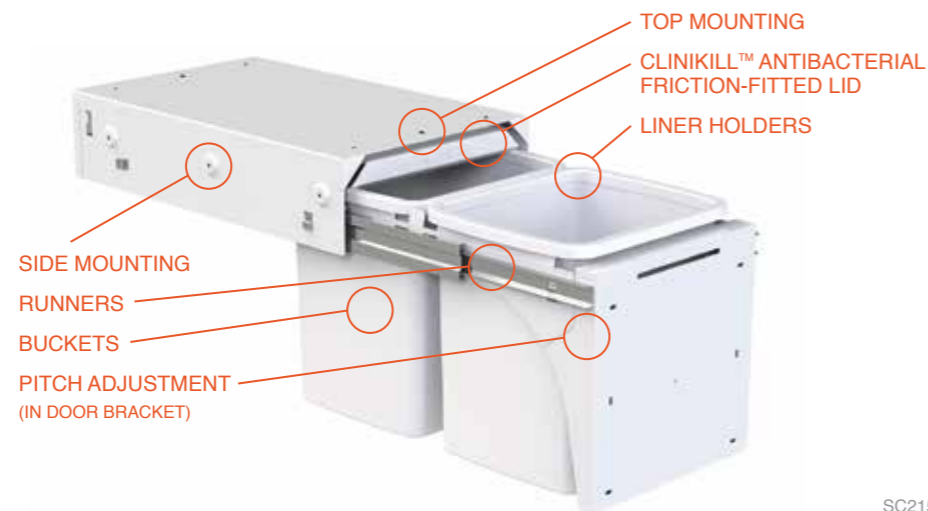
COMMERCIAL RECYCLING STATION
6 x 50L bucket SC150D-W
ASB Bank Head Office, Auckland, NZ

NOTE: The Hideaway Compact range is not recommended for commercial applications.



Hideaway® soft close range features...

Hideaway Soft Close bins are fitted with high quality German ball bearing soft close runners which allow a smooth and controlled closure of the unit.



SC215D-W

LID - Removable, foam-sprung friction-fitted lid that creates a seal across the bucket/s when the unit is closed, assisting in odour control. This lid has a Clinikill™ antibacterial powder coat to fight harmful bacteria, yeast and fungi keeping the bin solution hygienic.*

RUNNERS - High quality German ball bearing soft close runners that create a controlled close through the use of an air vacuum dampener. The runners over-extend for easy removal of bucket/s from beneath the bench top and have a dynamic weight loading of 52kgs (SC140D-W and SC150D-W hold 47kgs).

METAL GAUGE - 1.2mm zinc treated steel, powder coated for durability.

AIR VENTS - Patented air vent system to maximise bag volume. 40L models only. See page 2 for more details.

BUCKETS - Made from a food-grade polypropylene plastic that is recyclable. All buckets come complete with a liner holder which will hold your bag in place.*

MOUNTING OPTIONS - Top mount and/or side mount options to give greater design flexibility to install the bin in the optimal position.

ADJUSTMENT - Vertical, horizontal and pitch adjustment provided in door bracket. Top mounting panel provides adjustment inside cabinet.

INSTALLATION INSTRUCTIONS - All measurements given are internal (wall to wall) and are the minimum required to fit each unit.

INSTALLATION OPTIONS:
DOOR PULL - One Step Action. The front fascia of the cabinet is attached to the door bracket of the Hideaway Bin. The bin is accessible by simply pulling open the cabinet door.

PRODUCT CODES - Hideaway Bin codes appear in blue (eg SC240D-W). Use these codes when placing an order for your Hideaway Bin.



2 x 15 litre buckets 317mm w x 340mm h x 520mm d

Available in:
SC215D-W / Door Pull / Arctic White
SC215D-G* / Door Pull / Ghost Grey

2 x units can be installed within the standard carcass height providing a four bin recycling solution. Fits a common supermarket shopping bag.

NOTE: Standard carcass height is 720mm internal and allows for a 16mm shelf.



2 x 20 litre buckets 317mm w x 450mm h x 520mm d

Available in:
SC220D-W / Door Pull / Arctic White
SC220D-G* / Door Pull / Ghost Grey

Ideal recycling solution for the average family.



1 x 40 litre bucket 285mm w x 645mm h x 420mm d

Available in:
SC140D-W* / Door Pull / Arctic White

Large bucket capacity for those looking for a single bin waste or recycling solution for areas of limited width.



2 x 40 litre buckets 418mm w x 645mm h x 520mm d

Available in:
SC240D-W* / Door Pull / Arctic White

Largest available double bin solution - 80ltrs. Ideal for commercial kitchens.



1 x 50 litre bucket 362mm w x 625mm h x 425mm d

Available in:
SC150D-W* / Door Pull / Arctic White

Larger family or commercial / office kitchen.



1 x 60 litre hamper Top and/or Side Mounted 418mm w x 650mm h x 519mm d

Available in:
SCL160D-W* / Door Pull / Arctic White

Hidden laundry hamper with air vents to reduce moisture. Install multiple hampers side by side for separating laundry.**



1 x 60 litre hamper Base Mounted 417mm w x 635mm h x 520mm d

Available in:
SCLBM160D-W* / Door Pull / Arctic White

Lightweight and ergonomic, requiring minimal effort to lift hamper from frame - ideal for use with a laundry chute. The hamper opening is 400mm d x 320mm w.**

*Pictured Models

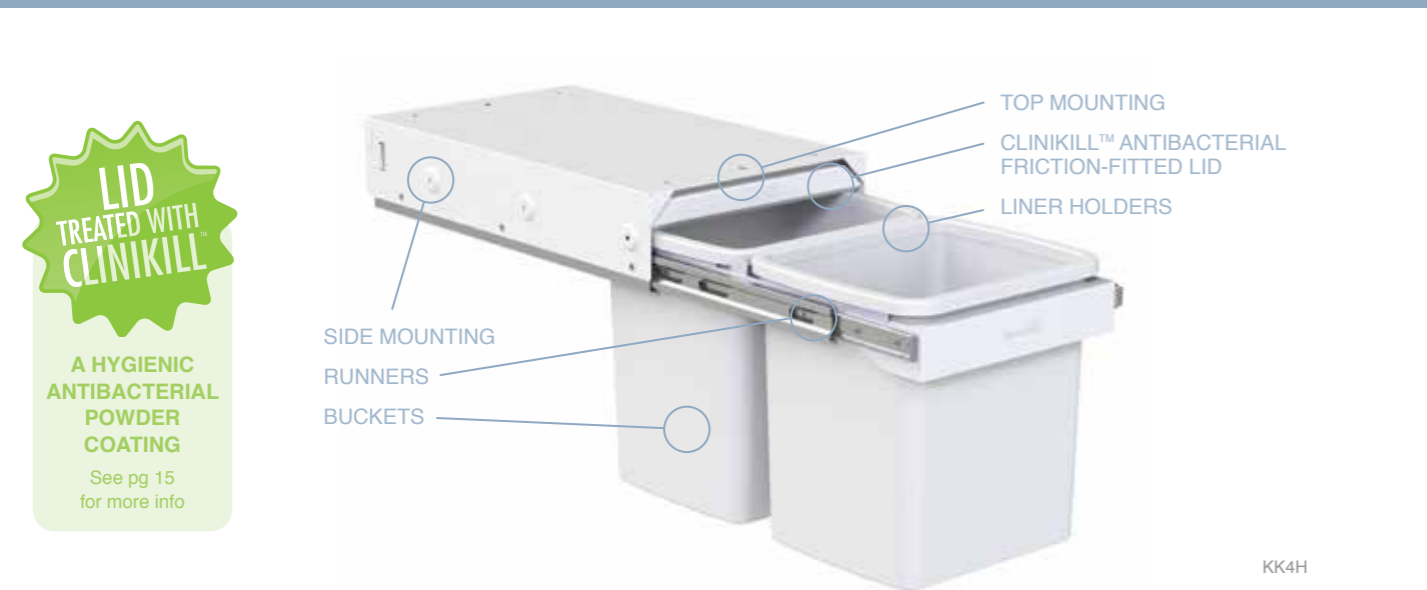
** Refer to pages 4 & 5 for more information.

The friction-fitted lid helps to control waste odours in the kitchen...



Hideaway[®] deluxe range features...

Hideaway Deluxe Bins have a friction-fitted lid to seal in odours, and operate on manual open and close ball bearing runners.



LID - Removable, foam-sprung friction-fitted lid that creates a seal across the bucket/s when the unit is closed, assisting in odour control. This lid has a Clinikill™ antibacterial powder coat to fight harmful bacteria, yeast and fungi keeping the bin solution hygienic.

RUNNERS - Quality manual open and close ball bearing runners that over-extend, allowing easy removal of buckets from beneath the bench top and have a dynamic weight loading of 40kgs.

METAL GAUGE - 1.0mm zinc treated steel, powder coated for durability.

MOUNTING OPTIONS - Top mount and/or side mount options to give greater design flexibility to install the bin in the optimal position. Floor mount models are great retro-fit options.

BUCKETS - Made from a recyclable, food grade polypropylene plastic. All buckets come complete with a liner holder to hold your bag in place.

ADJUSTMENT - Vertical, horizontal and pitch adjustment provided in door bracket.

INSTALLATION OPTIONS:
DOOR PULL - One Step Action. The front fascia of the cabinet is attached to the door bracket of the Hideaway Bin. The bin is accessible by simply pulling open the cabinet door.

HANDLE PULL - Two Step Action. The bin is accessible by opening the cupboard door and pulling out the bin using its handle.

PRODUCT CODES - Hideaway Bin codes appear in blue (eg **KK3H**). Use these codes when placing an order for your Hideaway Bin.



1 x 15 litre bucket
260mm w x 340mm h x 368mm d

Available in:
KK3H / Handle Pull / Arctic White
KK5D* / Door Pull / Arctic White

Bathroom vanities or motor homes. Fits a common supermarket shopping bag.



2 x 15 litre buckets
300mm w x 340mm h x 520mm d

Available in:
KK4H / Handle Pull / Arctic White
KK6D* / Door Pull / Arctic White

2 x units can be installed within the standard carcass height providing a four bin recycling solution. Fits a common supermarket shopping bag.

NOTE: Standard carcass height is 720mm internal and allows for a 16mm shelf.



2 x 15 litre buckets Floor Mounted
306mm w x 348mm h x 520mm d

Available in:
KK4F* / Handle Pull / Arctic White
KK6F / Door Pull / Arctic White

Quality, robust under the sink solution. Fits a common supermarket shopping bag.



1 x 20 litre bucket
260mm w x 450mm h x 368mm d

Available in:
KK2H* / Handle Pull / Arctic White
KK2D / Door Pull / Arctic White

Deeper single bucket solution.



2 x 20 litre buckets
300mm w x 450mm h x 520mm d

Available in:
KK12H / Handle Pull / Arctic White
KK12D* / Door Pull / Arctic White

Ideal recycling solution for the average family.



1 x 50 litre bucket
340mm w x 625mm h x 417mm d

Available in:
KK7H / Handle Pull / Arctic White
KK8D* / Door Pull / Arctic White

Larger family or commercial / office kitchen.

INSTALLATION INSTRUCTIONS - All measurements given are internal (wall to wall) and are the minimum required to fit each unit.

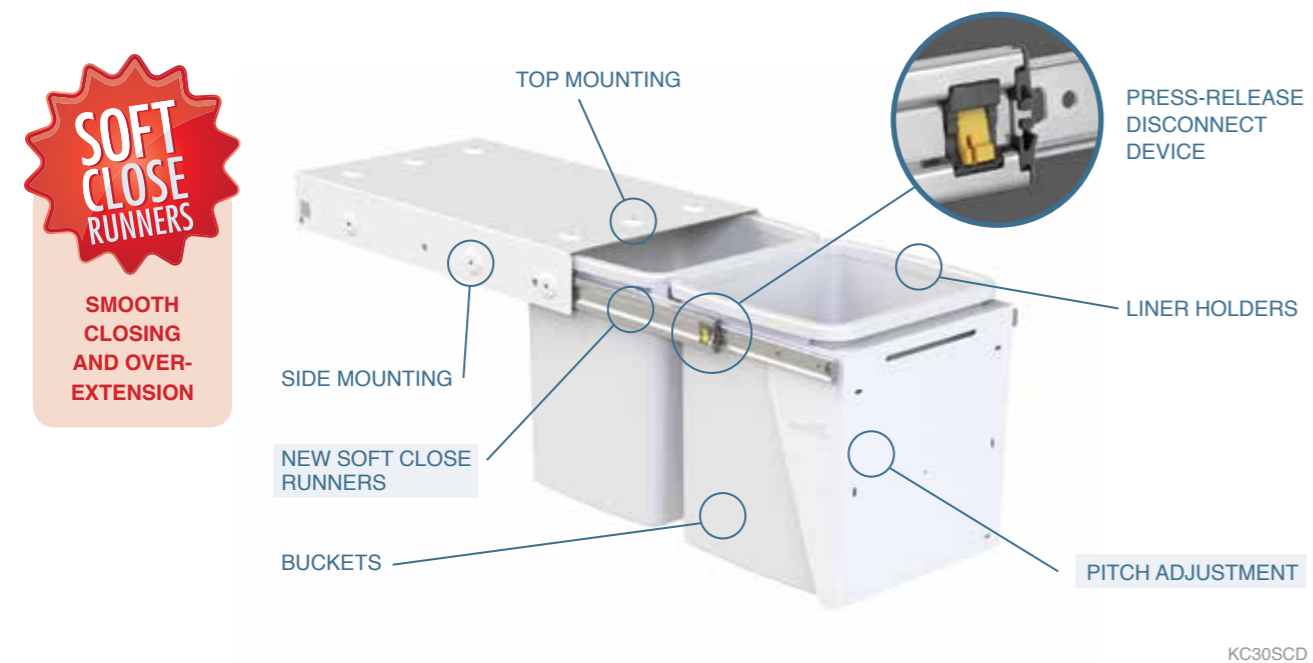
IMPORTANT NOTE FOR HANDLE PULL MODELS - Models **KK3H**, **KK2H**, **KK4H**, **KK12H** and **KK7H** - if hinges are used that do not allow the door to clear the opening fully, allow an extra 10mm width. Installation also requires that the top door hinge be 150mm from the top of the door to allow clearance for the bin handle.

Ideal for areas with limited space: apartment, ensuite, office desk, motor home...



Hideaway[®] compact range - NEW SOFT CLOSE DESIGN...

High quality soft close ball bearing runners for smooth closing action, and compatible with electronic push to open systems.



KC30SCD

SOFT CLOSE RUNNERS - High quality, ball bearing soft close runners for smooth, light movement. The runners over-extend, allowing easy removal of buckets from beneath the bench top and have a dynamic weight loading of 38kgs.

MOUNTING OPTIONS - Top mount and/or side mount options to give greater design flexibility to install the bin in the optimal position. Floor mount models are great retro-fit options.

BUCKETS - Made from a recyclable, food grade polypropylene plastic. All buckets

come complete with a liner holder to hold your bag in place. 15L bucket fits a standard supermarket shopping bag.

AIR VENTS - Patented air vent system to maximise bag volume. 40L models only. See page 2 for more details.

ADJUSTMENT - Vertical, horizontal and pitch adjustment provided in door bracket.

PUSH TO OPEN - Compatible with electronic systems for handleless push to open functionality.

INSTALLATION OPTIONS:

DOOR PULL - One Step Action. The front fascia of the cabinet is attached to the door bracket of the Hideaway Bin. The bin is accessible by simply pulling open the cabinet door.

HANDLE PULL - Two Step Action. The bin is accessible by opening the cupboard door and pulling out the bin using its handle.

PRODUCT CODES - Hideaway Bin codes appear in blue (eg **KC30SCD**). Use these codes when placing an order for your Hideaway Bin.



1 x 15 litre bucket

260mm w x 310mm h x 360mm d

Available in:

KC15SCH* / Handle Pull / Arctic White
KC15SCD / Door Pull / Arctic White

Bathroom vanities or motor homes.



2 x 15 litre buckets

300mm w x 310mm h x 510mm d

Available in:

KC30SCH / Handle Pull / Arctic White
KC30SCD* / Door Pull / Arctic White

2 x units can be installed within a 720mm standard carcass height providing a four bin recycling solution.



2 x 15 litre buckets Floor Mounted

302mm w x 308mm h x 507mm d

Available in:

KCF215SCH* / Handle Pull / Arctic White
KCF215SCD / Door Pull / Arctic White

Quality, robust under the sink solution.



1 x 20 litre bucket

260mm w x 415mm h x 360mm d

Available in:

KC20SCH* / Handle Pull / Arctic White
KC20SCD / Door Pull / Arctic White

Ideal for cabinets with limited space.



2 x 20 litre buckets

300mm w x 415mm h x 510mm d

Available in:

KC40SCH / Handle Pull / Arctic White
KC40SCD* / Door Pull / Arctic White

Ideal recycling solution for the average family.



1 x 40 litre bucket

268mm w x 615mm h x 410mm d

Available in:

KC140SCH / Handle Pull / Arctic White
KC140SCD* / Door Pull / Arctic White

Large bucket capacity for those looking for a single bin waste or recycling solution for areas of limited width. Ideal for 300mm wide cabinet.



2 x 40 litre buckets

418mm w x 615mm h x 510mm d

Available in:

KC240SCH / Handle Pull / Arctic White
KC240SCD* / Door Pull / Arctic White

Largest available double bin solution - 80ltrs.

AVAILABLE MID 2017



1 x 50 litre bucket

340mm w x 590mm h x 410mm d

Available in:

KC50SCH* / Handle Pull / Arctic White
KC50SCD / Door Pull / Arctic White

Ideal for a larger family kitchen.

INSTALLATION INSTRUCTIONS -

All measurements given are internal (wall to wall) and are the minimum required to fit each unit.

IMPORTANT NOTE FOR HANDLE PULL MODELS -

KC15SCH, KC20SCH, KC140SCH, KC30SCH, KC40SCH, KC240SCH and KC50SCH - Allowance should be made for the width of the bin to clear the door and hinge mechanisms. Installation also requires that the top door hinge be 150mm from the top of the door to allow clearance for the bin handle.



Hideaway® Bin replacement parts...

Because Hideaway Bins are made in New Zealand, replacement parts are readily available and simple to order. Availability will depend on the age of your unit. Contact us for more information.

Hideaway® bins are the only bin solution treated with a Clinikill™ antibacterial powder coating...



Buckets

Available in:
 15L Bucket / White or Ghost Grey
 20L Bucket / White or Ghost Grey
 40L Bucket / White
 50L Bucket / White

Laundry Hamper

Available in:
 60L Hamper / White

Dimensions available on our website.



Liner Holders

Available in:
 15L & 20L / White or Ghost Grey
 40L / White
 50L / White



Both the Hideaway® Soft Close and Hideaway® Deluxe Bin ranges are treated with a Clinikill™ Powder Coating - the friction-fitted lid has been coated to ensure your hidden bin solution is hygienic for the entire family or commercial environment. Clinikill is an antimicrobial, antibacterial and antifungal powder coating, designed to fight harmful bacteria, yeast and fungi, keeping your bin safe and hygienic.

How Does Clinikill Work?

Kinetic technology ensures the anti-microbial agent is presented at the surface of the powder coated friction-fitted lid. This surface is where contact with the harmful bacteria and fungi occurs, ensuring the antimicrobial effect is maximised.

The Kinetic technology also evenly distributes the antimicrobial agent throughout the powder coating so it's effectiveness will be maintained with normal wear and tear, such as light scratches and abrasions.

Antimicrobial Effect

Thanks to the antimicrobial power of silver ions within it, Clinikill shows an antimicrobial effect against a wide spectrum of bacteria, yeast and fungi including gram-negative bacteria such as Escherichia coli and Pseudomonas aeruginosa, gram-positive bacteria such as Staphylococcus aureus and MRSA; and fungi such as Aspergillus niger and Penicillium nigricans.

For more information visit www.hideawaybins.com.au

Hideaway Bins are designed and made in New Zealand by Kitchen King® Ltd and have a strong local and international reputation for the quality and innovation of their hidden storage solutions.

Kitchen King is a 100% family owned and operated business and has been under the direction of the Bertelsen family since 2006. Our company is run with joint directorship by close father and daughter team, Allen and Jamie Bertelsen.

Our team at Kitchen King not only manufacture and distribute Hideaway Bins but have expanded to include research and design, to ensure we are able to release new and innovative products to the market as required.

With an industry leading engineering and manufacturing process the team at Kitchen King continue to produce creative solutions for both residential and commercial storage, waste and recycling requirements.



UNIQUE POWDER COATING

Prior to powder coating, all individual metal parts used undergo an iron phosphate pre-treatment. Iron phosphate conversion coating is a very important pre-treatment process, adding significantly to the performance of the finished coating, improving the over-all resistance of the metal part.

These parts are then subjected to an acidic bath and coated in a free flowing dry powder which is applied manually using a hand gun to ensure maximum coverage. The powder coating is applied electrostatically and is then cured under heat to allow it to form a hard finish.

At the powder coating stage, a Clinikill™ Anti-Bacterial Powder Coat is also applied to the friction-fit lids of Hideaway Deluxe and Hideaway Soft Close bin models. The powder coat contains silver ions that are designed to fight harmful yeast, bacteria and fungi keeping the bin solution hygienic – a feature unique to Hideaway Bins.

PROUDLY NEW ZEALAND MADE



METAL MANUFACTURING

Kitchen King work closely with New Zealand's leading contract manufacturer of sheet metal products. Their cutting edge sheet metal technology ensures we get the best possible manufacturing solutions in the production of our bins.

With cutting edge sheet metal processing equipment available to Hideaway, such as Amada Turret Punches, Lazer cutters, Salvagnini P4 Folder, Robotic Press Brakes they have the capacity to handle both specialised and custom work right through to large volume production runs of Hideaway Bins.



BUCKET MANUFACTURING

We work closely with a leading plastic moulding contract manufacturer. This gives us access to Italian and German machinery which allow full control over the plastic moulding cycle ensuring Hideaway Bins stringent standard and quality is met. Hideaway buckets are made with virgin materials, giving the finished product its outstanding durability when coping with the environment and requirements it is subjected to. The food-grade polypropylene material is FDA (U.S.A) approved and is completely recyclable.



BIN ASSEMBLY

Once all Hideaway Bin components are ready for assembly, our Product Technicians assemble the bins by hand at our warehouse in Silverdale, Auckland, NZ. This assembly process allows for all parts to be hand checked to ensure the highest quality end product.



HOW TO ORDER

Hideaway Bins can be purchased from our distributors...



www.nover.com.au
1300 668 371



www.hafele.com.au
1300 659 728



www.galvinhw.com.au
08 9446 6333

Hideaway Bins are manufactured in New Zealand by Kitchen King Limited
and can be purchased from our website:

www.hideawaybins.com.au



Kitchen King® Limited

44 Anvil Road, Silverdale, Auckland, New Zealand

Freephone: 1800 042 642

info@hideawaybins.co.nz

Follow us: Search Hideaway Bins for our latest innovative
hidden storage solutions and product information.

