



Sliding and folding door systems

General technical conditions

The fitting information, screw fixing points and load capacity information contained in this catalogue assume proper attachment using screws specified by Hettich to a chipboard panel providing a screw pull out resistance of at least 1,000 N in accordance with EN 320.

Hettich accepts no responsibility for the load capacity of furniture and its components if materials or fastening methods are used other than those stated; the furniture manufacturer must verify load capacity.

The fitting situations shown in this catalogue are only intended to illustrate the possible options.

The furniture manufacturer is responsible for ensuring that furniture is designed in compliance with standards, in particular with regard to meeting the requirements on safety.

We will be pleased to provide any further information you may require.

General Terms of Sale and Delivery

All products and services will be provided exclusively on the basis of our General Terms of Sale and Delivery published on our website at www.hettich.com.au

Legal notice

© Hettich Australia
1 Herbert Place
Smithfield 2164, Sydney




December 2017

We reserve all rights to this catalogue under copyright law. It shall not be permissible to duplicate this catalogue in any form either in whole or in part without our written consent. Subject to technical alterations. Errors and omissions excepted. Subject to colour variations.

Order no. 9 189 892

Sliding and folding door systems

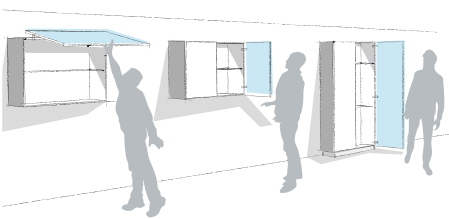
► Summary of ranges

<p>Sliding door systems / top running Summary</p>	<p>3</p> 
<p>Sliding door systems / bottom running Range summary / technical comparison</p>	<p>35</p> 
<p>Folding door systems Range summary / technical comparison</p>	<p>84 – 85</p> 



Everyone does it: Slide it. Love it. People like to keep it simple. On their tablet PCs. On their smartphones. The revolutionary aesthetic appeal of virtual sliding fascinates millions: gentle, flowing movement, simply at the touch of a finger. But sliding in the real world's right on trend too. Truly practical cars have a sliding door, a sliding roof provides fresh air and a feeling of freedom, and at home we slide

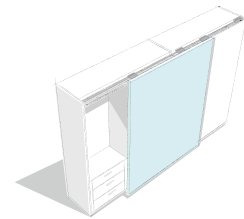
panel curtains and doors as room dividers or on furniture. Are you open to new trends? Because if you are, new doors are about to open for you too. In this case they open to the side. Whether for the bedroom, living room or kitchen furniture – Hettich gives you innovative sliding door systems that go perfectly with your furniture. Are you open to a new love? Welcome to Hettich.



Ergonomics: Always in reach. Never in the way. In terms of ergonomics and convenience, sliding doors are a cut above any other door system. That's clear to see in everyday use: open sliding doors don't get in the way where space is at a premium. Open doors on wall units are not likely to leave you injured. Sliding doors are also easy to open without stretching or dodging out of the way.



Design: Unadulterated form. Distinctive surfaces. Sliding doors provide the key to picking up on modern, spacious interior design and cleverly carry it through in furniture. Because large surface doors, particularly with flush fitted sliding door systems, are the ideal creative element for purist interior design. Hettich sliding door systems impress with narrow reveals that hardly detract from the homogeneous look of furniture front panels. Only a few reveals are visible on large format front panels anyway. Elegant fascias reduce the number of reveals to a minimum. Easy precision adjustment provides superb finished results with perfect reveal alignment.



Functionality: First easy. Then quiet. Sliding doors are particularly good at meeting the demands that users place on cabinet doors today: they are easy to open and close. The ergonomic benefit provided by the linear door action of sliding doors is optimised further still by low opening forces. The convenient Silent System closes the sliding door quietly and gently. Altogether, Hettich sliding door systems leave no margin for doubt with reliable quality, superb smooth running action and a long service life.



TopLine L set / in front of the top panel



Page	4 – 5
Description	Top running sliding door system for large cabinets with 1, 2, 3 or 4 doors
Number of runners	2
Door action	Horizontal
Door position	Overlay
Door weight	50 kg max.
Door material	Wood / wood, aluminium
Door width mm	700 - 1500 mm
Door height mm	2600 mm max.
Silent System	Soft closing, soft opening, soft guiding

Sliding door system / top running

- ▶ TopLine L / overlay door position / door movement in front of top panel
- ▶ All the benefits at a glance



Multitalented system with many qualities. TopLine L is particularly adaptable and provides the last word in user friendliness when it comes to installation and adjustment. TopLine L gives you an easy time, for example, when you need to even out tolerances. The Silent Systems create a

feel of luxury that speaks to the senses on opening and closing. Even heavy, large doors reliably close with a mere whisper. With door movement in front of or on the top panel, TopLine L is suitable for 2 / 3-door cabinet designs, for wood and aluminium framed fronts.



Quiet and gentle: Silent System evenly opens and closes any sliding door.



Added convenience, day in, day out: with Silent System, doors open in response to a gentle push.



Fascinating front panels: fully overlapping handleless doors with soft closing and soft opening function.



Ready for wide: fully overlapping doors for wide internal drawers.



All rounder: a single system for wooden doors in thicknesses up to 40 mm and aluminium fronts with a frame width of 50 mm and over.



Great act: synchronised opening for centre doors - providing access to the large middle compartment.



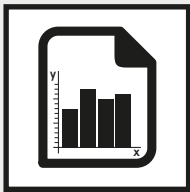
Easy door installation: hook doors into runner profile, clip guide components in at the bottom - job done!



Perfect reveal alignment made easy: height adjustment function easy to reach with doors in place.

Sliding door system / top running

- ▶ TopLine L / overlay door position / door movement in front of top panel
- ▶ Summary



Performance summary

6 – 7

- ▶ Technical details in brief
- ▶ Door sizes
- ▶ Silent System
- ▶ Operating principle



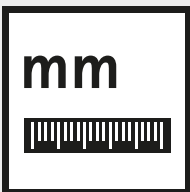
System component quick finder

8 – 9



System components

10 – 23



Planning dimensions

24 – 31



Installation

32 – 33



Accessories

136



Technical information

- ▶ Calculating door weights
- ▶ Design advice sliding door systems
- ▶ Quality criteria

138 – 139

80 – 82

83



For further information go to www.hettich.com/short/Oba6c9

- ▶ Detailed installation instructions
- ▶ CAD data
- ▶ Assembly video

Sliding door system / top running



- ▶ TopLine L / overlay door position / door movement in front of top panel
- ▶ Performance summary

Technical details in brief

- ▶ 2-track, top running sliding door system
- ▶ Overlay door position
- ▶ For wooden doors or wood / aluminium framed doors
- ▶ Door weight up to 50 kg
- ▶ Door height up to 2600 mm
- ▶ Door width 700 - 1500 mm
- ▶ Door thicknesses 16, 18, 19, 21, 22, 25 mm
- ▶ Height adjustment +/- 3 mm
- ▶ Door opening options: fully overlapping or offset when using projecting handles
- ▶ Fast installation of guide components
- ▶ Silent System in opening and closing direction
- ▶ Tested to DIN EN 15706, Level 3

Door format and door weight

TB	700	800	900	1000	1100	1200	1250	...	1500
TH ≤	2000	2109	2218	2327	2436	2545	2600	...	2600

see pages 138 - 139

Door material

Number of door wings and door position

Silent System

	1-door	2-door	3-door	
Soft closing				
Soft opening				

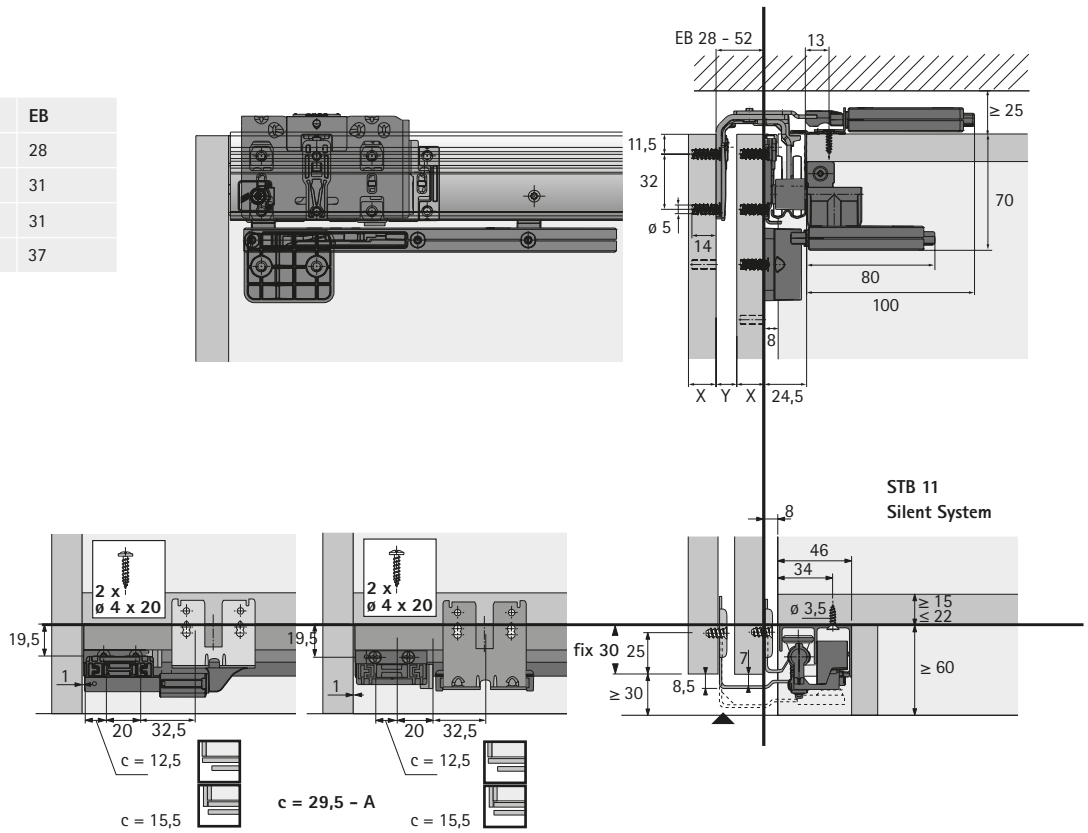
Sliding door system / top running



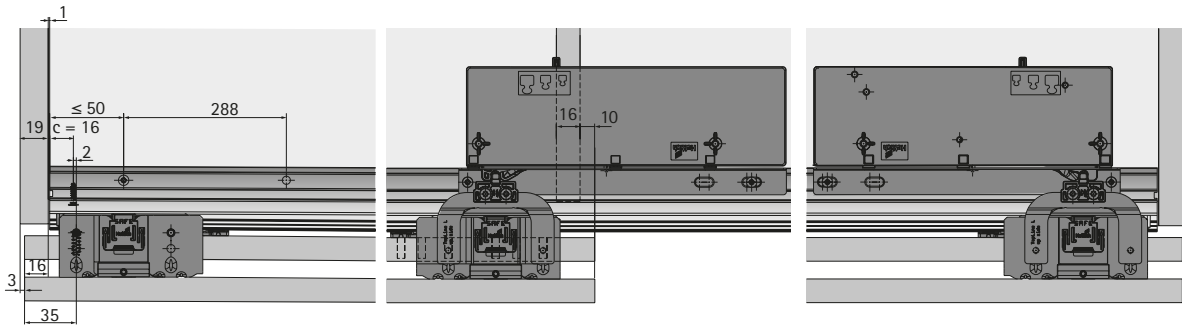
- ▶ TopLine L / overlay door position / door movement in front of top panel
- ▶ Performance summary

Operating principle / installation dimensions

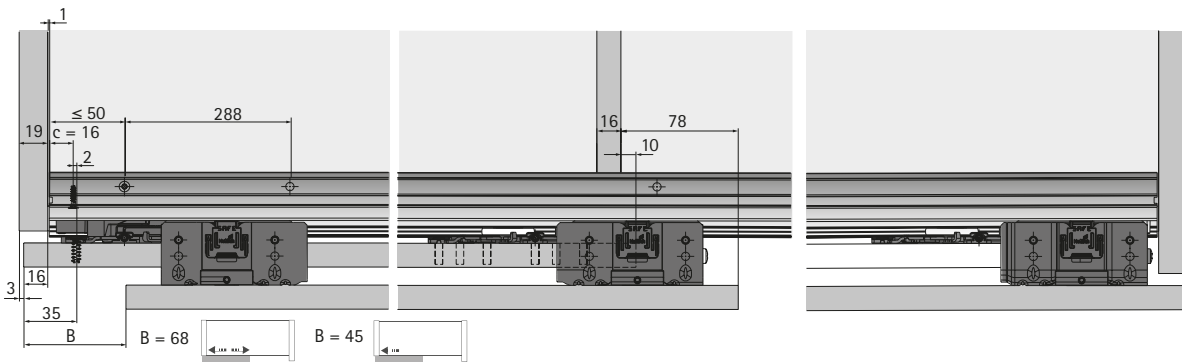
X	Y	EB
16	12	28
18	13	31
19	12	31
25	12	37



Operating principle / flush opening





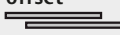
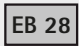
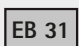
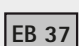
Operating principle / offset opening


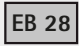
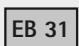
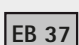


Sliding door system / top running



- ▶ TopLine L / overlay door position / door movement in front of top panel
- ▶ System component quick finder

Sets of fittings with guide profile in front of the plinth (STB 11)

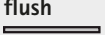
		2 door 		2 door 			
		front most door	rear door	rear door	front most door		
offset 	Max. 16 mm 	9 206 483	+	9 206 506	9 206 505	+	9 206 483
	Max. 19 mm 	9 206 500	+	9 206 506	9 206 505	+	9 206 500
	Max. 25 mm 	9 206 502	+	9 206 506	9 206 505	+	9 206 502
	Set accessories	9 206 309			9 206 309		

flush 	Max. 16 mm 	9 206 483	+	9 206 508	9 206 508	+	9 206 483
	Max. 19 mm 	9 206 500	+	9 206 508	9 206 508	+	9 206 500
	Max. 25 mm 	9 206 502	+	9 206 508	9 206 508	+	9 206 502
	Set accessories	9 206 311			9 206 311		


Silent System soft closing

	offset 	9 169 651 (EB 28 - 37)	9 169 651 (EB 28 - 37)
	flush 	9 169 654	9 169 655

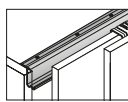
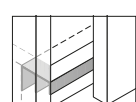
Silent System soft opening

	offset 	9 169 637	9 169 637
	flush 	9 169 638	9 169 640

Silent System soft guiding

	9 199 769
---	-----------

Profiles

	Material	Finish	Length mm	Order no.
	Aluminium	anodised	3000	0 071 111
	Aluminium	bright	3000	0 071 117

Sliding door system / top running

- ▶ TopLine L / overlay door position / door movement in front of top panel
- ▶ System component quick finder

Sets of fittings with guide profile in front of the plinth (STB 11)

3 door 				
rear door left		centre door		rear door right
9 206 505	+	9 206 483	+	9 206 506
9 206 505	+	9 206 500	+	9 206 506
9 206 505	+	9 206 502	+	9 206 506
9 206 310				

9 206 508	+	9 206 483	+	9 206 508
9 206 508	+	9 206 500	+	9 206 508
9 206 508	+	9 206 502	+	9 206 508
9 206 313				

Silent System soft closing

9 169 653 + 9 140 438
9 169 653 + 9 140 438

Silent System soft opening

9 169 656
9 169 656

Silent System soft guiding

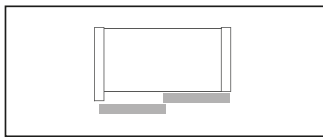
9 199 769

Profiles

Material	Finish	Length mm	Order no.				
Aluminium	anodised	3000	0 071 111				
Aluminium	bright	3000	0 071 117				

- ▶ TopLine L / overlay door position / door movement in front of top panel
- ▶ System components / 2-door / front most door on left

Front most door set



- ▶ Offset opening for applications with door handles or finger pulls (door offset: 45 mm)
- ▶ Flush opening for handleless applications and when using internal drawers (door offset: 0 mm)
- ▶ Runner system below STB 11 bottom panel
- ▶ Sets with door centre distance EB 37 mm include fixing screws for aluminium framed doors

Set comprises:

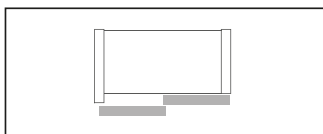
- ▶ 2 running components for one front most door
- ▶ 2 guide components for one front most door
- ▶ Fixing material

Advice:

- ▶ Please order Silent System and profiles separately
- ▶ 2 / 3-door: please order a front most door set

Max. door thickness mm	Door centre distance (EB) mm	Order no.	PU
16	28	9 206 483	1 set
19	31	9 206 500	1 set
25	37	9 206 502	1 set

Rear most door set for offset opening



- ▶ Offset opening for applications with door handles or finger pulls (door offset: 45 mm)
- ▶ Runner system below STB 11 bottom panel

Set comprises:

- ▶ 2 running components for one rear most door
- ▶ 2 guide components for one rear most door
- ▶ 2 mounting aids
- ▶ Fixing material

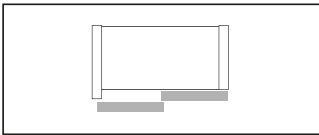
Advice:

- ▶ Please order Silent System and profiles separately
- ▶ 2-door: please order a rear most door set

Version	Order no.	PU
Right rear most door	9 206 506	1 set

- ▶ TopLine L / overlay door position / door movement in front of top panel
- ▶ System components / 2-door / front most door on left

Rear most door set for flush opening



- ▶ Flush opening for handleless applications and when using internal drawers (door offset: 0 mm)
- ▶ Runner system below STB 11 bottom panel

Set comprises:

- ▶ 2 running components for one rear most door
- ▶ 2 guide components for one rear most door
- ▶ 2 mounting aids
- ▶ Fixing material

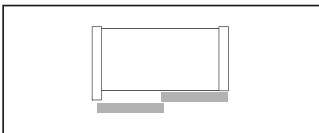
Advice:

- ▶ Please order Silent System and profiles separately
- ▶ 2-door: please order a rear most door set



Order no.	PU
9 206 508	1 set

Accessory set for offset opening



- ▶ Offset opening for applications with door handles or finger pulls (door offset: 45 mm)
- ▶ Contains all of the accessory components for installing the profiles of a preassembled 2-door cabinet (profile mounting screws not included)

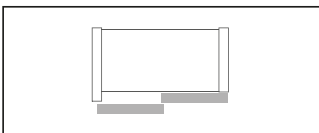
Set comprises:

- ▶ 2 support blocks for the runner profile
- ▶ 2 end stops for the runner profile
- ▶ 2 end stops for the guide profile
- ▶ Fixing material



Order no.	PU
9 206 309	1 set

Accessory set for flush opening



- ▶ Flush opening for handleless applications and when using internal drawers (door offset: 0 mm)
- ▶ Contains all of the accessory components for installing the profiles of a preassembled 2-door cabinet (profile mounting screws not included)

Set comprises:

- ▶ 2 support blocks for the runner profile
- ▶ 2 end stops for the runner profile
- ▶ 2 end stops for the guide profile
- ▶ Fixing material



Order no.	PU
9 206 311	1 set

- ▶ TopLine L / overlay door position / door movement in front of top panel
- ▶ System components / 2-door / front most door on left

Silent System soft closing set for offset opening



- ▶ Quietly and gently closing sliding doors
- ▶ Little effort required for easy door movement
- ▶ Adjustable self closing for reliably closing doors of widely differing weights
- ▶ Reserve capacity for heavy doors

- Set comprises:
- ▶ 2 soft closing elements
 - ▶ 2 activators
 - ▶ 4 mounting adapters
 - ▶ 2 end stops
 - ▶ Fixing material

- Advice:
- ▶ Please order a set for offset opening and an upgrade set
 - ▶ Sets for offset opening always contain the soft opening element for the middle doors
 - ▶ Upgrade set always contains the soft closing element for the rear most doors

Version	Order no.	PU
EB 28-37	9 169 651	1 set

Set, Silent System soft closing, for flush opening

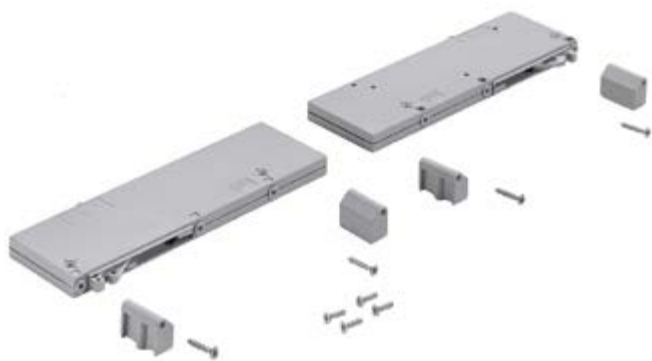


- ▶ Quietly and gently closing sliding doors
- ▶ Little effort required for easy door movement
- ▶ Adjustable self closing for reliably closing doors of widely differing weights
- ▶ Reserve capacity for heavy doors

- Set comprises:
- ▶ 2 soft closing elements
 - ▶ 3 activators
 - ▶ 1 metal connector for top panel mounting
 - ▶ 2 mounting adapters
 - ▶ 2 end stops
 - ▶ Fixing material

Version	Order no.	PU
front most door, left	9 169 654	1 set

Silent System soft opening set for offset opening



- ▶ Quietly and gently opening sliding doors
- ▶ Little effort required for easy door movement
- ▶ Adjustable self closing for reliably closing doors of widely differing weights
- ▶ Reserve capacity for heavy doors

- Set comprises:
- ▶ 2 soft opening elements
 - ▶ 4 mounting adapters
 - ▶ Fixing material

- Advice:
- ▶ Soft opening for rear most doors

Order no.	PU
9 169 637	1 set

Sliding door system / top running

- ▶ TopLine L / overlay door position / door movement in front of top panel
- ▶ System components / 2-door / front most door on left

Silent System soft opening set for flush opening



- ▶ Quietly and gently opening sliding doors
- ▶ Little effort required for easy door movement
- ▶ Adjustable self closing for reliably closing doors of widely differing weights
- ▶ Reserve capacity for heavy doors

Set comprises:

- ▶ 2 soft opening elements
- ▶ 1 metal connector for top panel mounting
- ▶ 2 mounting adapters
- ▶ Fixing material

Order no.	PU
9 169 638	1 set

Silent System soft guiding set



- ▶ Additional Silent System support for the lower part of the cabinet
- ▶ Optimised linear door movement: no door swaying, particularly with large and heavy doors
- ▶ Noise reduction, particularly with passe partout frames
- ▶ Silent System soft guiding replaces STB 11 end stops in the guide profile - no additional drillings necessary

Set comprises:

- ▶ 2 soft guiding elements
- ▶ 3 activators
- ▶ 2 Silent System mounts
- ▶ Fixing material

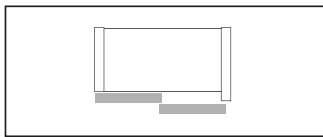
Advice:

- ▶ Max. door overlay 17 mm
- ▶ Can be used for offset opening (door offset: 45 mm)
- ▶ For flush opening (door offset: 0 mm) the guide components can be moved by 45 mm towards the door centre without activator and fastened in place (repositioning drilling pattern)

Order no.	PU
9 199 769	1 set

- ▶ TopLine L / overlay door position / door movement in front of top panel
- ▶ System components / 2-door / front most door on right

Front most door set



- ▶ Offset opening for applications with door handles or finger pulls (door offset: 45 mm)
- ▶ Flush opening for handleless applications and when using internal drawers (door offset: 0 mm)
- ▶ Runner system below STB 11 bottom panel
- ▶ Sets with door centre distance EB 37 mm include fixing screws for aluminium framed doors

Set comprises:

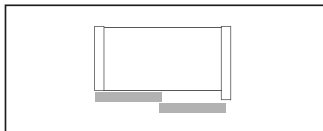
- ▶ 2 running components for one front most door
- ▶ 2 guide components for one front most door
- ▶ Fixing material

Advice:

- ▶ Please order Silent System and profiles separately
- ▶ 2 / 3-door: please order a front most door set

Max. door thickness mm	Door centre distance (EB) mm	Order no.	PU
16	28	9 206 483	1 set
19	31	9 206 500	1 set
25	37	9 206 502	1 set

Rear most door set for offset opening



- ▶ Offset opening for applications with door handles or finger pulls (door offset: 45 mm)
- ▶ Runner system below STB 11 bottom panel

Set comprises:

- ▶ 2 running components for one rear most door
- ▶ 2 guide components for one rear most door
- ▶ 2 mounting aids
- ▶ Fixing material

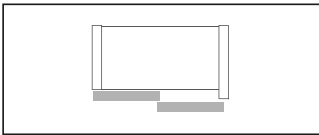
Advice:

- ▶ Please order Silent System and profiles separately
- ▶ 2-door: please order a rear most door set

Version	Order no.	PU
Left rear most door	9 206 505	1 set

- ▶ TopLine L / overlay door position / door movement in front of top panel
- ▶ System components / 2-door / front most door on right

Rear most door set for flush opening



- ▶ Flush opening for handleless applications and when using internal drawers (door offset: 0 mm)
- ▶ Runner system below STB 11 bottom panel

Set comprises:

- ▶ 2 running components for one rear most door
- ▶ 2 guide components for one rear most door
- ▶ 2 mounting aids
- ▶ Fixing material

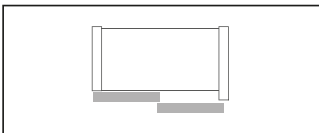
Advice:

- ▶ Please order Silent System and profiles separately
- ▶ 2-door: please order a rear most door set



Order no.	PU
9 206 508	1 set

Accessory set for offset opening



- ▶ Offset opening for applications with door handles or finger pulls (door offset: 45 mm)
- ▶ Contains all of the accessory components for installing the profiles of a preassembled 2-door cabinet (profile mounting screws not included)

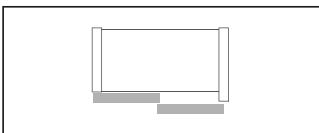
Set comprises:

- ▶ 2 support blocks for the runner profile
- ▶ 2 end stops for the runner profile
- ▶ 2 end stops for the guide profile
- ▶ Fixing material



Order no.	PU
9 206 309	1 set

Accessory set for flush opening



- ▶ Flush opening for handleless applications and when using internal drawers (door offset: 0 mm)
- ▶ Contains all of the accessory components for installing the profiles of a preassembled 2-door cabinet (profile mounting screws not included)

Set comprises:

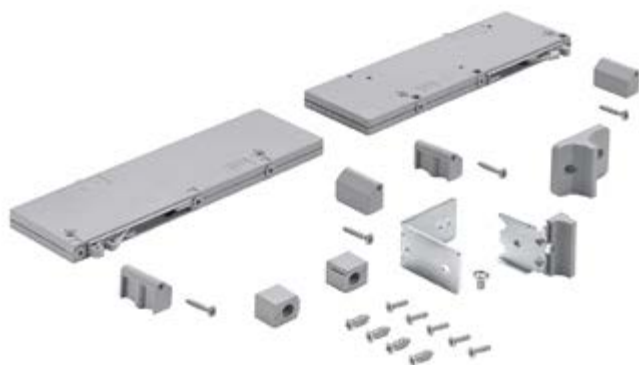
- ▶ 2 support blocks for the runner profile
- ▶ 2 end stops for the runner profile
- ▶ 2 end stops for the guide profile
- ▶ Fixing material



Order no.	PU
9 206 311	1 set

- ▶ TopLine L / overlay door position / door movement in front of top panel
- ▶ System components / 2-door / front most door on right

Silent System soft closing set for offset opening



- ▶ Quietly and gently closing sliding doors
- ▶ Little effort required for easy door movement
- ▶ Adjustable self closing for reliably closing doors of widely differing weights
- ▶ Reserve capacity for heavy doors

- Set comprises:
- ▶ 2 soft closing elements
 - ▶ 2 activators
 - ▶ 4 mounting adapters
 - ▶ 2 end stops
 - ▶ Fixing material

- Advice:
- ▶ Please order a set for offset opening and an upgrade set
 - ▶ Sets for offset opening always contain the soft opening element for the middle doors
 - ▶ Upgrade set always contains the soft closing element for the rear most doors

Version	Order no.	PU
EB 28-37	9 169 651	1 set

Set, Silent System soft closing, for flush opening



- ▶ Quietly and gently closing sliding doors
- ▶ Little effort required for easy door movement
- ▶ Adjustable self closing for reliably closing doors of widely differing weights
- ▶ Reserve capacity for heavy doors

- Set comprises:
- ▶ 2 soft closing elements
 - ▶ 3 activators
 - ▶ 1 metal connector for top panel mounting
 - ▶ 2 mounting adapters
 - ▶ 2 end stops
 - ▶ Fixing material

Version	Order no.	PU
front most door, right	9 169 655	1 set

Silent System soft opening set for offset opening



- ▶ Quietly and gently opening sliding doors
- ▶ Little effort required for easy door movement
- ▶ Adjustable self closing for reliably closing doors of widely differing weights
- ▶ Reserve capacity for heavy doors

- Set comprises:
- ▶ 2 soft opening elements
 - ▶ 4 mounting adapters
 - ▶ Fixing material

- Advice:
- ▶ Soft opening for rear most doors

Order no.	PU
9 169 637	1 set

Sliding door system / top running

- ▶ TopLine L / overlay door position / door movement in front of top panel
- ▶ System components / 2-door / front most door on right

Silent System soft opening set for flush opening



- ▶ Quietly and gently opening sliding doors
- ▶ Little effort required for easy door movement
- ▶ Adjustable self closing for reliably closing doors of widely differing weights
- ▶ Reserve capacity for heavy doors

Set comprises:

- ▶ 2 soft opening elements
- ▶ 1 metal connector for top panel mounting
- ▶ 2 mounting adapters
- ▶ Fixing material

Order no.	PU
9 169 640	1 set

Silent System soft guiding set



- ▶ Additional Silent System support for the lower part of the cabinet
- ▶ Optimised linear door movement: no door swaying, particularly with large and heavy doors
- ▶ Noise reduction, particularly with passe partout frames
- ▶ Silent System soft guiding replaces STB 11 end stops in the guide profile - no additional drillings necessary

Set comprises:

- ▶ 2 soft guiding elements
- ▶ 3 activators
- ▶ 2 Silent System mounts
- ▶ Fixing material

Advice:

- ▶ Max. door overlay 17 mm
- ▶ Can be used for offset opening (door offset: 45 mm)
- ▶ For flush opening (door offset: 0 mm) the guide components can be moved by 45 mm towards the door centre without activator and fastened in place (repositioning drilling pattern)

Order no.	PU
9 199 769	1 set

- ▶ TopLine L / overlay door position / door movement in front of top panel
- ▶ System components / 3-door

Front most door set



- ▶ Offset opening for applications with door handles or finger pulls (door offset: 45 mm)
- ▶ Flush opening for handleless applications and when using internal drawers (door offset: 0 mm)
- ▶ Runner system below STB 11 bottom panel
- ▶ Sets with door centre distance EB 37 mm include fixing screws for aluminium framed doors

Set comprises:

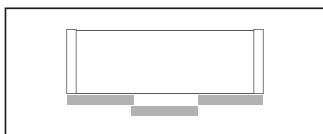
- ▶ 2 running components for one front most door
- ▶ 2 guide components for one front most door
- ▶ Fixing material

Advice:

- ▶ Please order Silent System and profiles separately
- ▶ 2 / 3-door: please order a front most door set

Max. door thickness mm	Door centre distance (EB) mm	Order no.	PU
16	28	9 206 483	1 set
19	31	9 206 500	1 set
25	37	9 206 502	1 set

Rear most door set for offset opening



- ▶ Offset opening for applications with door handles or finger pulls (door offset: 45 mm)
- ▶ Runner system below STB 11 bottom panel

Set comprises:

- ▶ 2 running components for one rear most door
- ▶ 2 guide components for one rear most door
- ▶ 2 mounting aids
- ▶ Fixing material

Advice:

- ▶ Please order Silent System and profiles separately
- ▶ 3-door: please order a left hand rear most door set and a right hand rear most door set

Version	Order no.	PU
Left rear most door	9 206 505	1 set
Right rear most door	9 206 506	1 set

- ▶ TopLine L / overlay door position / door movement in front of top panel
- ▶ System components / 3-door

Rear most door set for flush opening



- ▶ Flush opening for handleless applications and when using internal drawers (door offset: 0 mm)
- ▶ Runner system below STB 11 bottom panel

Set comprises:

- ▶ 2 running components for one rear most door
- ▶ 2 guide components for one rear most door
- ▶ 2 mounting aids
- ▶ Fixing material

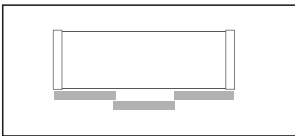
Advice:

- ▶ Please order Silent System and profiles separately
- ▶ 3-door: please order two rear most door sets



Order no.	PU
9 206 508	1 set

Accessory set for offset opening



- ▶ Offset opening for applications with door handles or finger pulls (door offset: 45 mm)
- ▶ Contains all of the accessory components for installing the profiles of a preassembled 2-door cabinet (profile mounting screws not included)

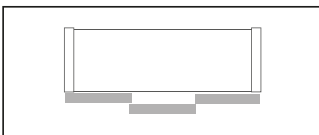
Set comprises:

- ▶ 2 support blocks for the runner profile
- ▶ 2 end stops for the runner profile
- ▶ 2 end stops for the guide profile
- ▶ 1 centre stop
- ▶ Fixing material



Order no.	PU
9 206 310	1 set

Accessory set for flush opening



- ▶ Flush opening for handleless applications and when using internal drawers (door offset: 0 mm)
- ▶ Contains all of the accessory components for installing the profiles of a preassembled 2-door cabinet (profile mounting screws not included)

Set comprises:

- ▶ 2 support blocks for the runner profile
- ▶ 2 end stops for the runner profile
- ▶ 2 end stops for the guide profile
- ▶ 1 centre stop
- ▶ Fixing material



Order no.	PU
9 206 313	1 set

- ▶ TopLine L / overlay door position / door movement in front of top panel
- ▶ System components / 3-door

Silent System soft closing set for centre door

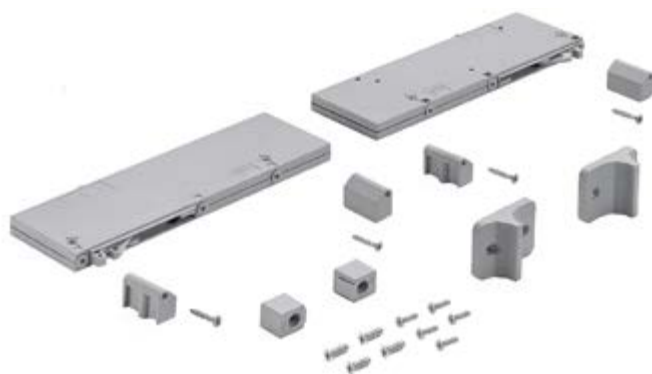


- ▶ Quietly and gently closing centre door of 3-door cabinets
- ▶ Little effort required for easy door movement
- ▶ Centre door can be opened from both sides
- ▶ Concealed installation on the top panel

- Set comprises:
- ▶ 1 soft closing element for the centre door
 - ▶ 1 activator
 - ▶ Fixing material

Order no.	PU
9 140 438	1 set

Upgrade Silent System soft closing set



- ▶ Quietly and gently opening sliding doors
- ▶ Low opening force for easy door movement
- ▶ Adjustable self closing for reliably closing doors of widely differing weights
- ▶ Reserve capacity for heavy doors

- Set comprises:
- ▶ 2 soft closing elements for the rear most doors
 - ▶ 2 activators
 - ▶ 4 mounting adapters
 - ▶ 2 end stops
 - ▶ Fixing material

- Advice:
- ▶ 3-door: soft closing for rear most doors

Door offset in mm	Version	Order no.	PU
Offset / flush opening	Upgrade set	9 169 653	1 set

Upgrade set, Silent System soft opening



- ▶ Quietly and gently opening sliding doors
- ▶ Little effort required for easy door movement
- ▶ Adjustable self closing for reliably closing doors of widely differing weights
- ▶ Reserve capacity for heavy doors

- Set comprises:
- ▶ 4 soft opening elements
 - ▶ 2 activators
 - ▶ 2 metal connectors for top panel mounting
 - ▶ 4 mounting adapters
 - ▶ Fixing material

- Advice:
- ▶ 3-door: soft opening for all doors

Door offset in mm	Version	Order no.	PU
Offset / flush opening	Upgrade set	9 169 656	1 set

- ▶ TopLine L / overlay door position / door movement in front of top panel
- ▶ System components / 3-door

Silent System soft guiding set



- ▶ Additional Silent System support for the lower part of the cabinet
- ▶ Optimised linear door movement: no door swaying, particularly with large and heavy doors
- ▶ Noise reduction, particularly with passe partout frames
- ▶ Silent System soft guiding replaces STB 11 end stops in the guide profile - no additional drillings necessary

Set comprises:

- ▶ 2 soft guiding elements
- ▶ 3 activators
- ▶ 2 Silent System mounts
- ▶ Fixing material

Advice:

- ▶ Max. door overlay 17 mm
- ▶ Can be used for offset opening (door offset: 45 mm)
- ▶ For flush opening (door offset: 0 mm) the guide components can be moved by 45 mm towards the door centre without activator and fastened in place (repositioning drilling pattern)

Order no.	PU
9 199 769	1 set

Sliding door system / top running

- ▶ TopLine L / overlay door position / door movement in front of top panel
- ▶ System components / 2- and 3-door

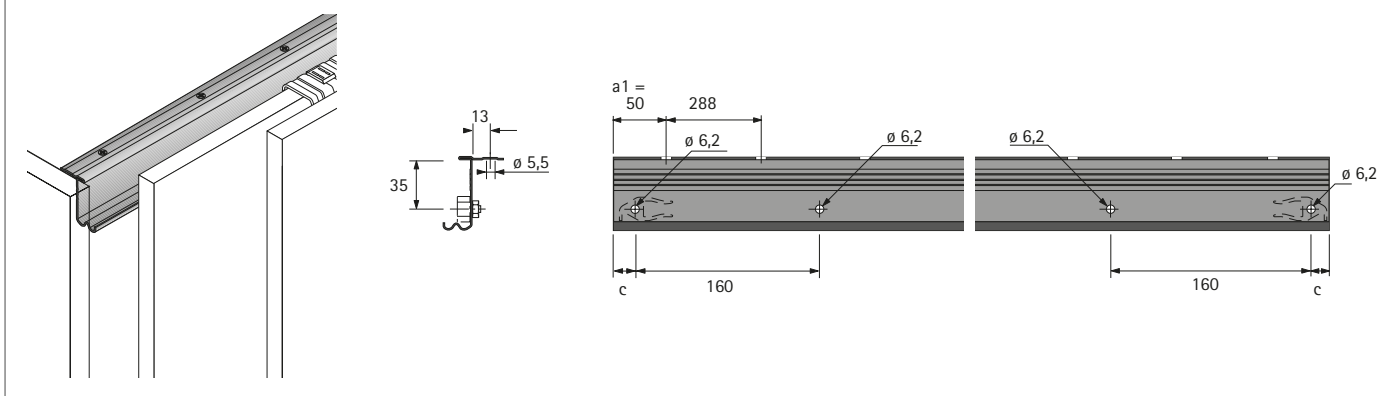
Runner profile for installing in front of top panel



- ▶ For installing in front of the carcass top panel
- ▶ Aluminium, silver anodized
- ▶ Quantity for 2-door: 1 each
- ▶ Quantity for 3-door: 1 each

Length mm	Order no.	PU
3000	0 071 111	1/4 ea.

Installation / dimensional drawing



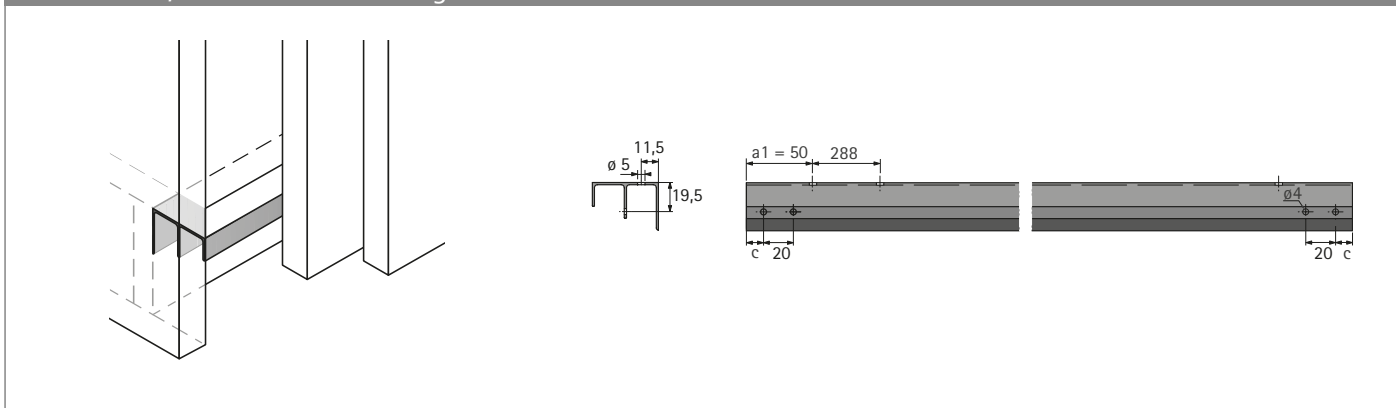
STB 11 guide profile



- ▶ Aluminium, bright

Length mm	Order no.	PU
3000	0 071 117	1/4 ea.

Installation / dimensional drawing



Sliding door system / top running



- ▶ TopLine L / overlay door position / door movement in front of top panel
- ▶ System components

Profile marking template



- ▶ For marking position of end stop and Silent System
- ▶ For the runner profile in front of top panel
- ▶ Plastic, grey

Order no.	PU
9 190 925	1 ea.

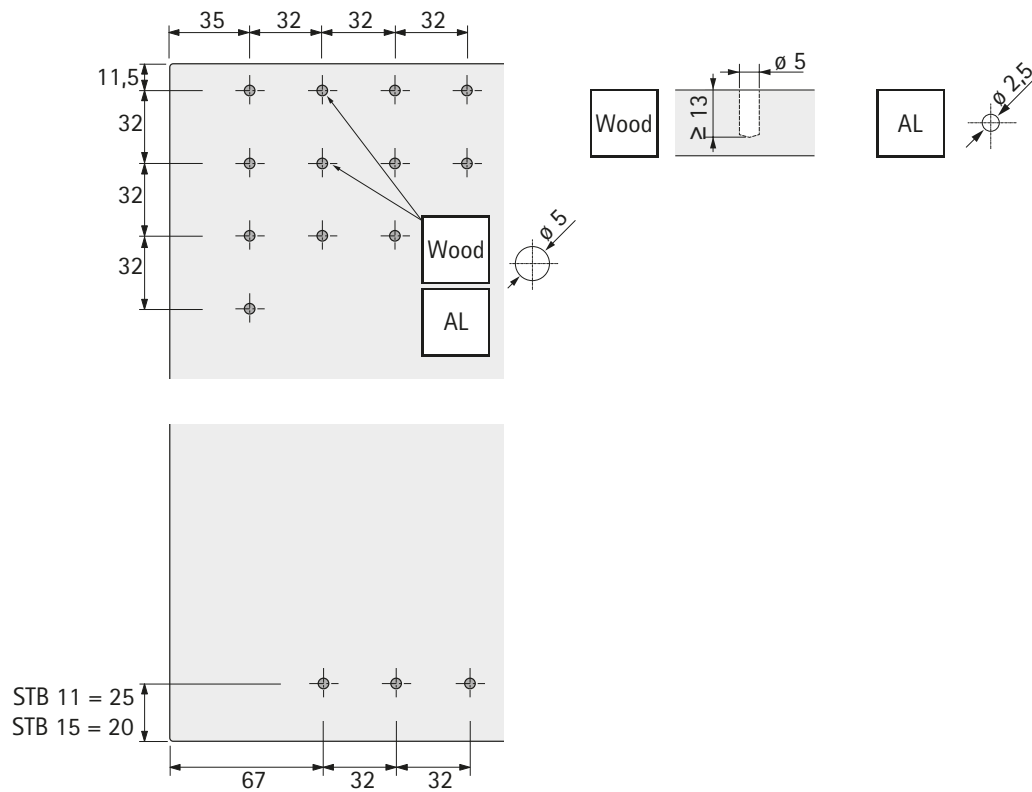
TopLine L drilling jig



- ▶ Hardened steel drilling bushes for 5 mm drill bits with depth setting ring
- ▶ For drilling TopLine L door drilling pattern
- ▶ Plywood

Order no.	PU
9 186 075	1 ea.

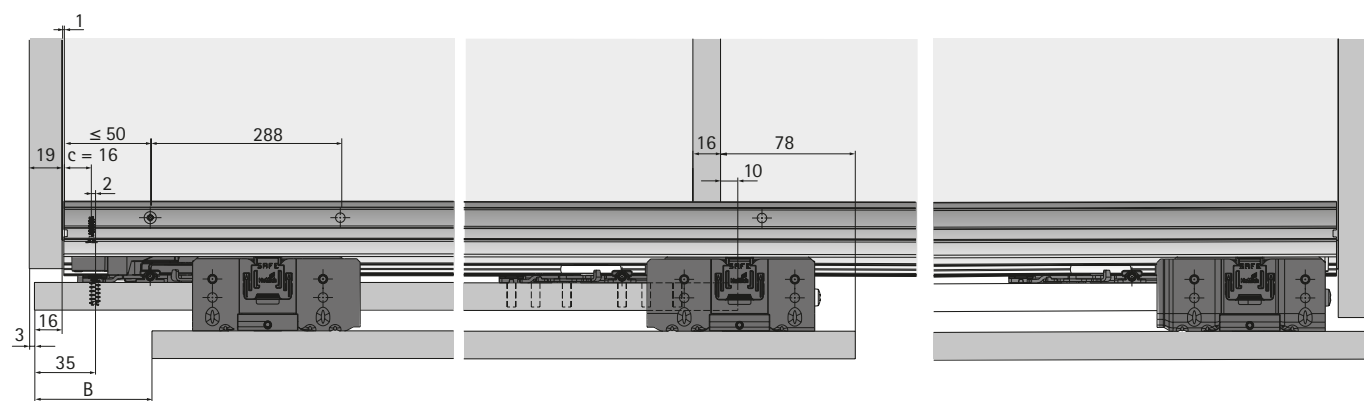
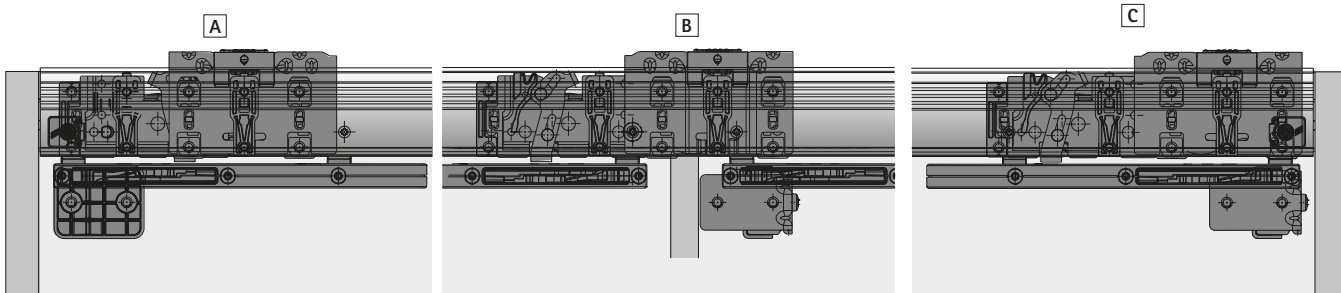
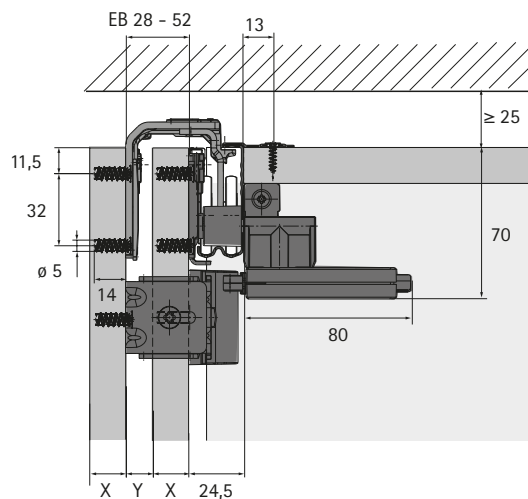
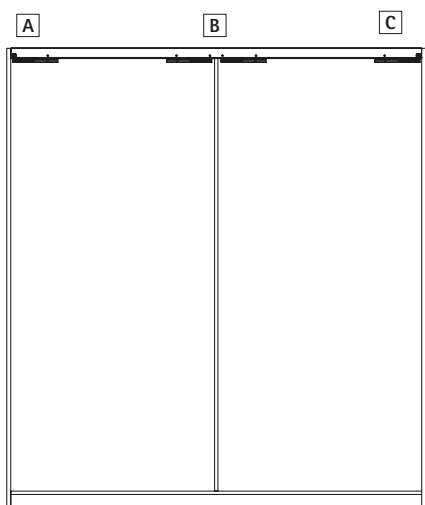
Drilling pattern



Sliding door system / top running

- ▶ TopLine L / overlay door position / door movement in front of top panel
- ▶ Planning dimensions

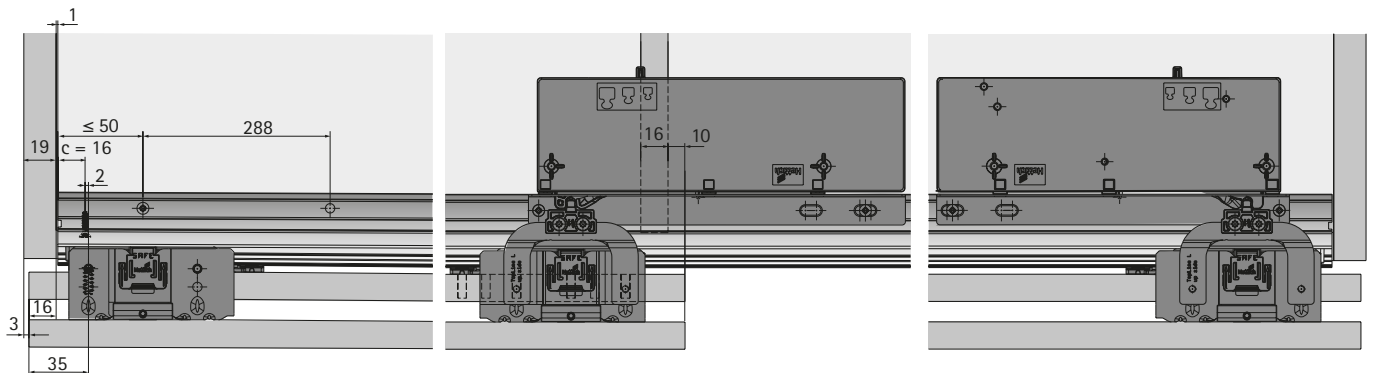
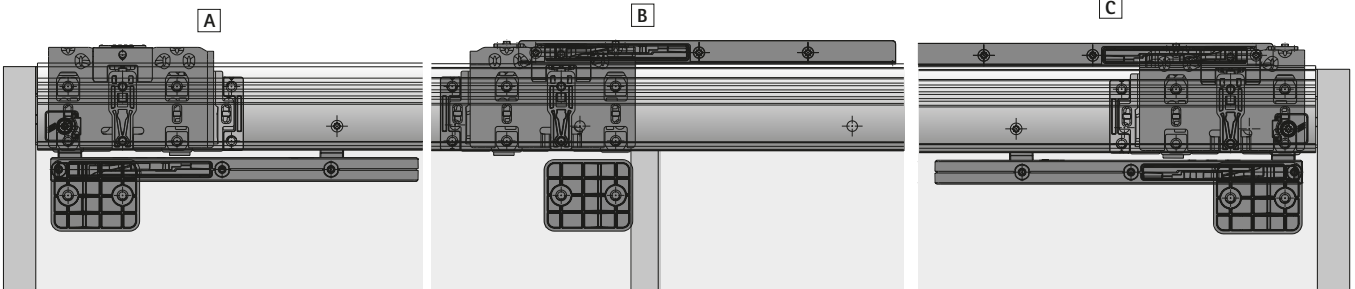
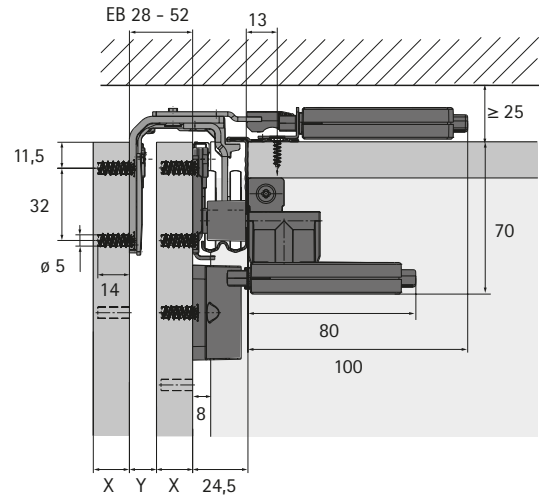
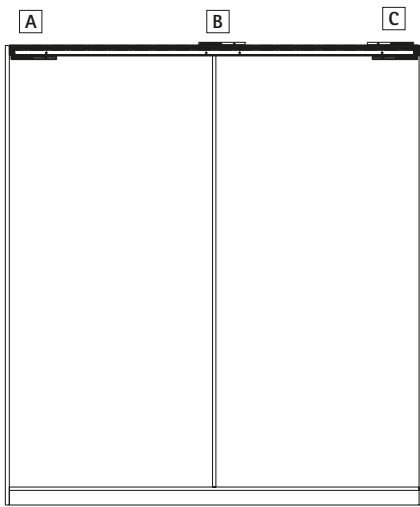
Installation dimensions for 2-door cabinet, offset opening



Sliding door system / top running

- ▶ TopLine L / overlay door position / door movement in front of top panel
- ▶ Planning dimensions

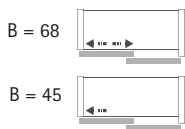
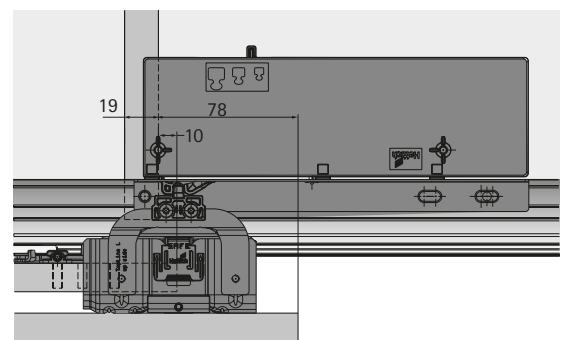
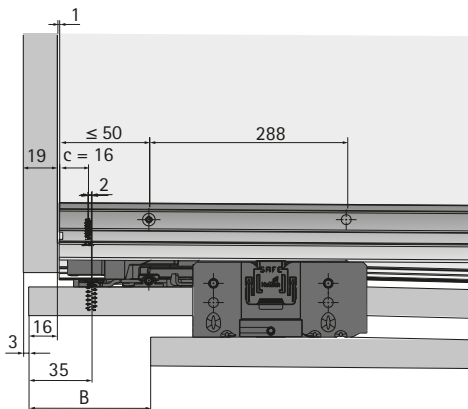
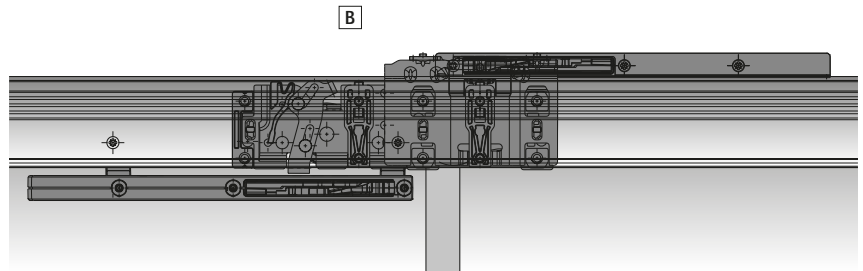
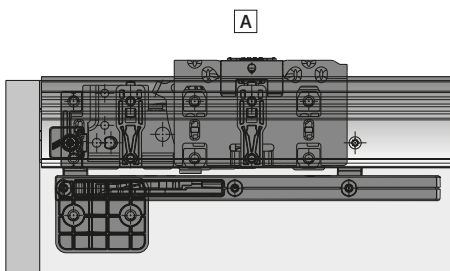
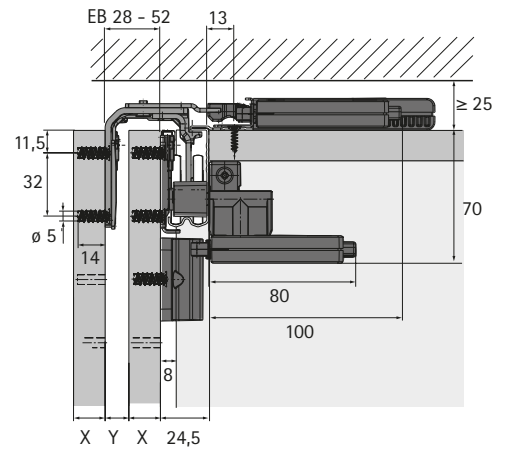
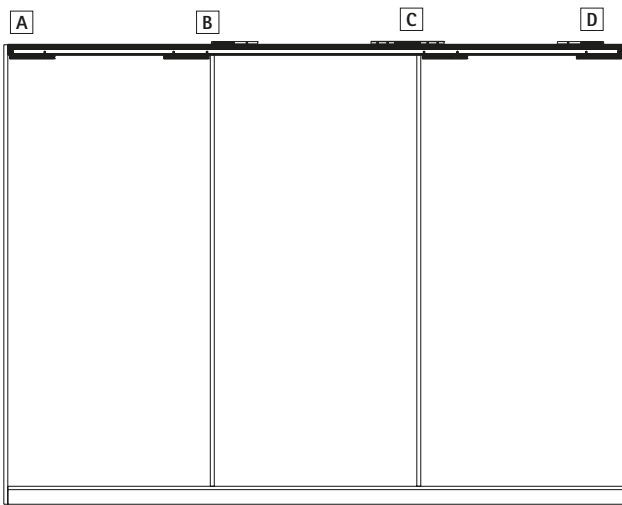
Installation dimensions for 2-door cabinet, flush opening



Sliding door system / top running

- ▶ TopLine L / overlay door position / door movement in front of top panel
- ▶ Planning dimensions

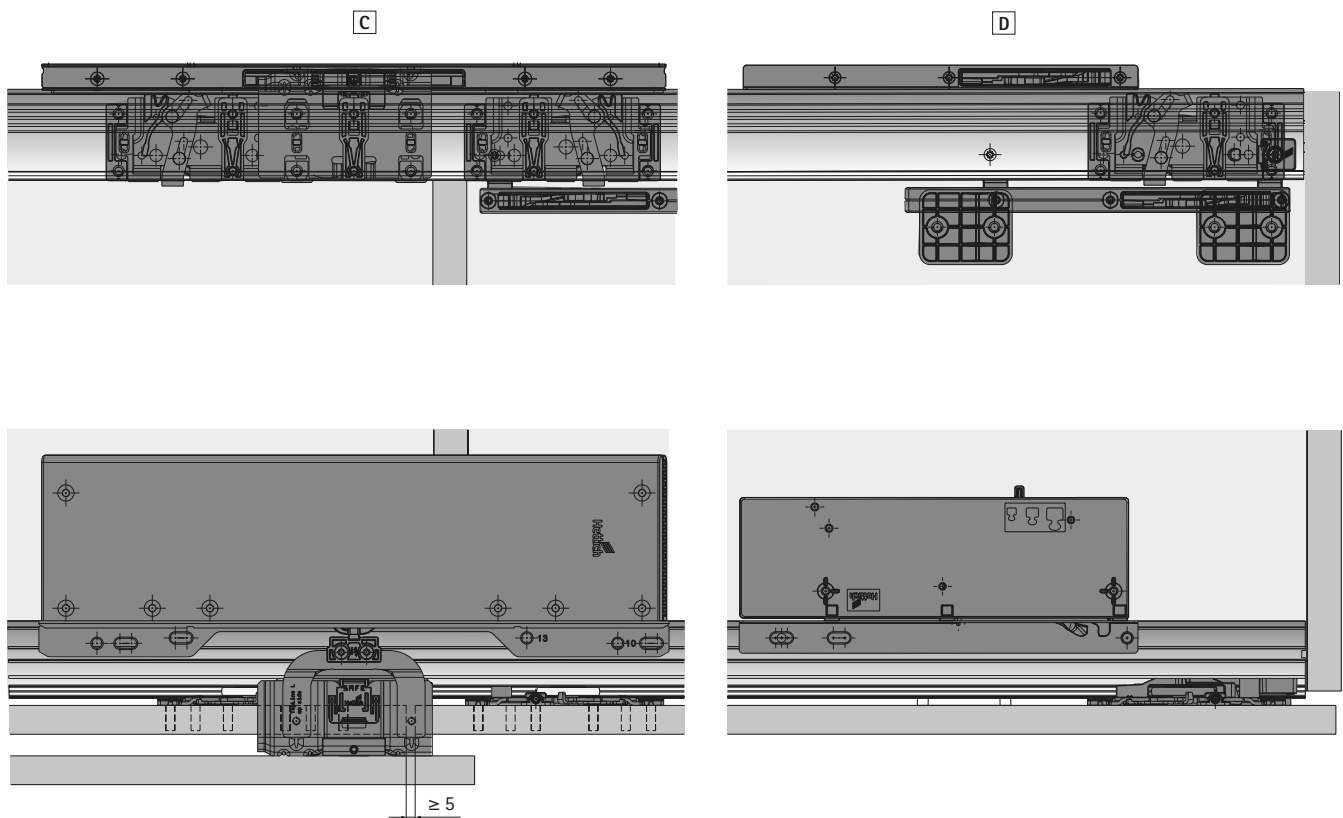
Installation dimensions for 3-door cabinet, offset opening



Sliding door system / top running

- ▶ TopLine L / overlay door position / door movement in front of top panel
- ▶ Planning dimensions

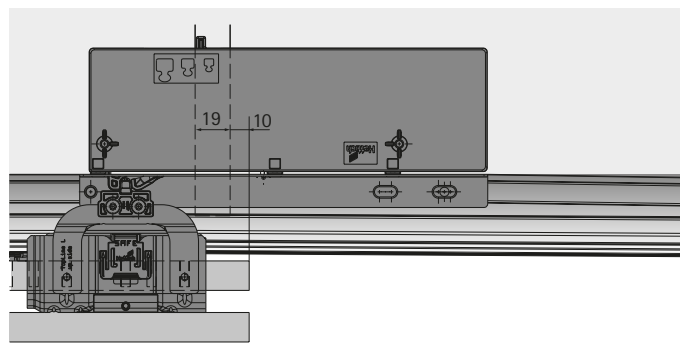
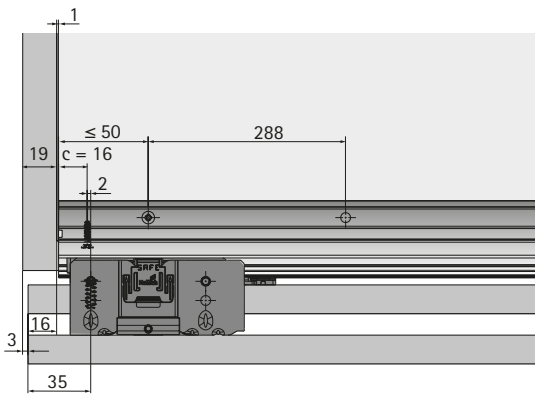
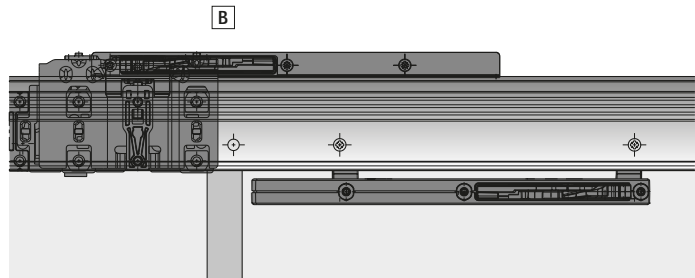
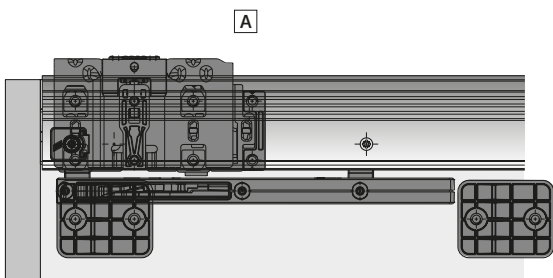
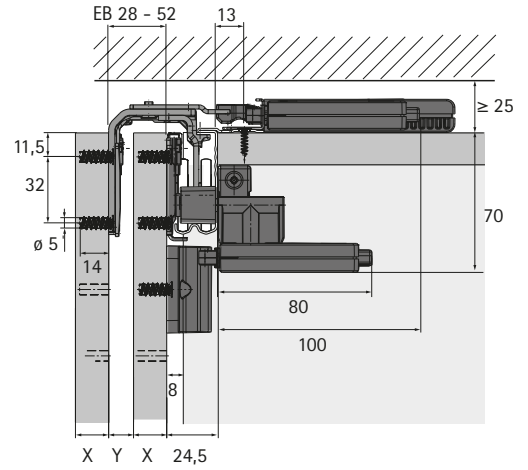
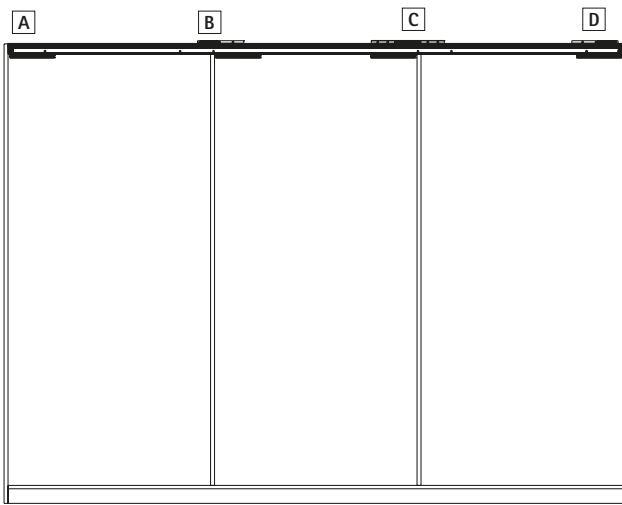
Installation dimensions for 3-door cabinet, offset opening



Sliding door system / top running

- ▶ TopLine L / overlay door position / door movement in front of top panel
- ▶ Planning dimensions

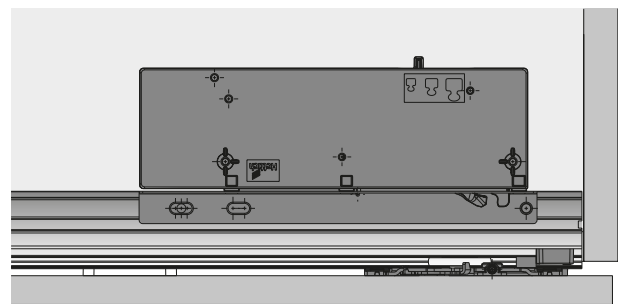
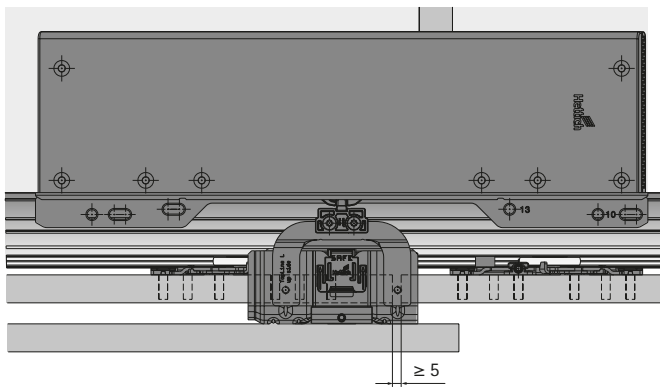
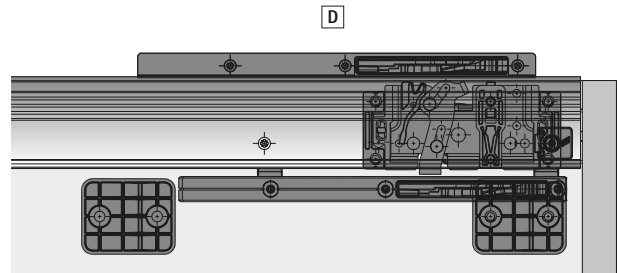
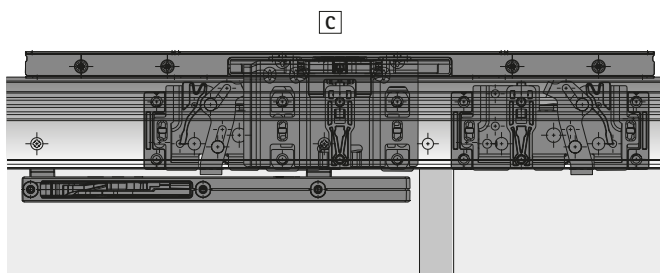
Installation dimensions for 3-door cabinet, flush opening



Sliding door system / top running

- ▶ TopLine L / overlay door position / door movement in front of top panel
- ▶ Planning dimensions

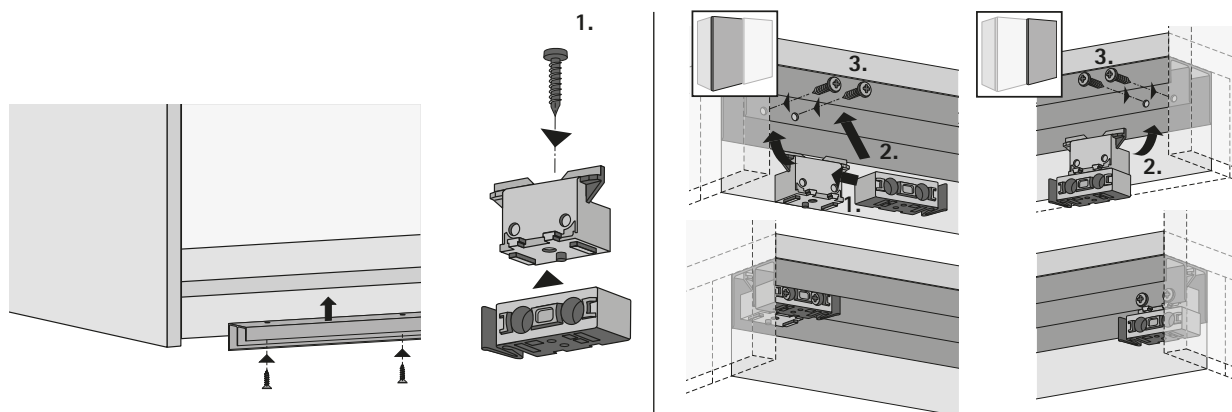
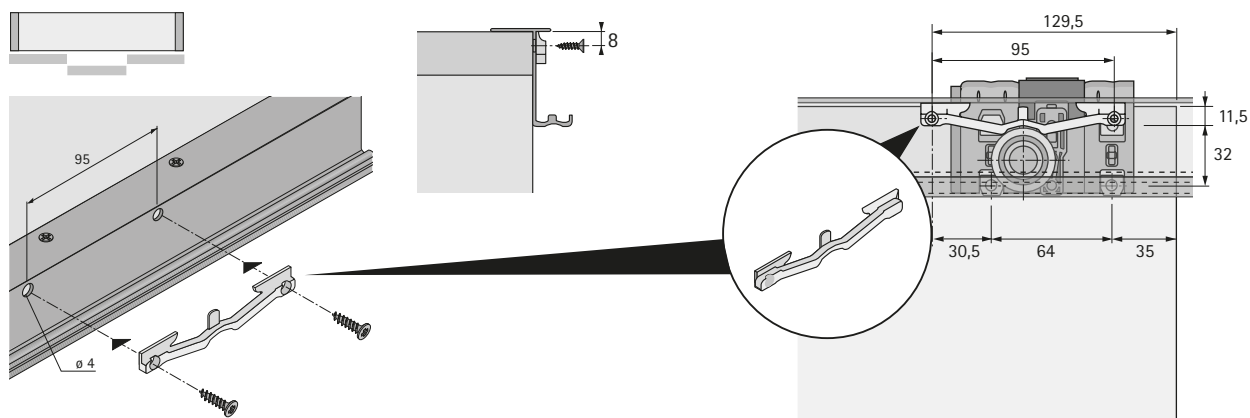
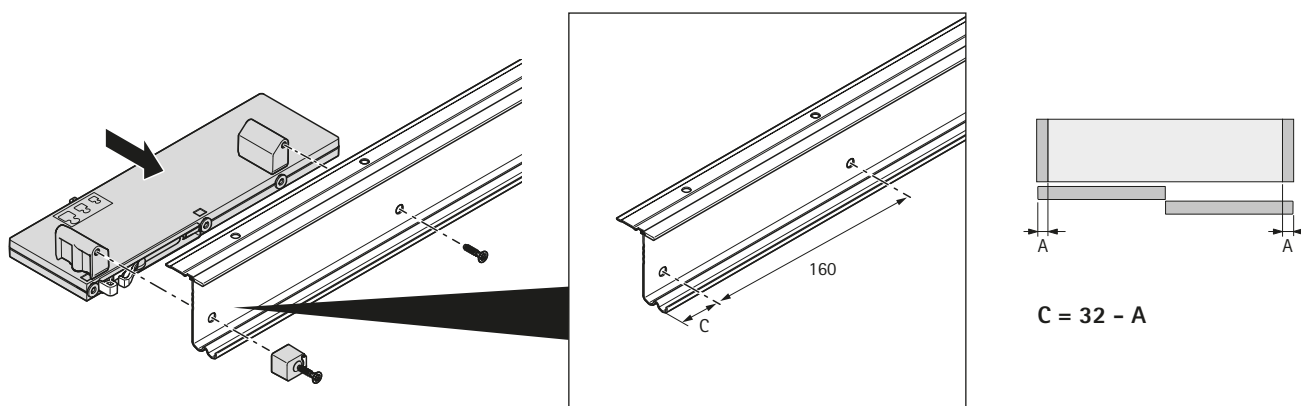
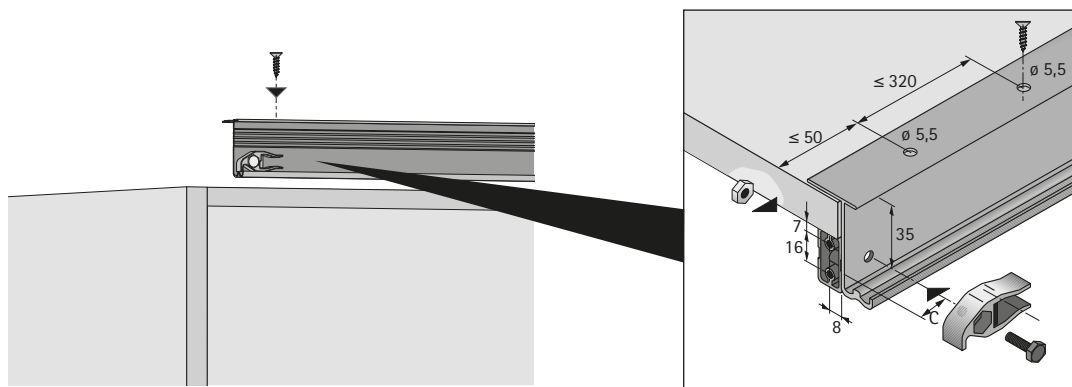
Installation dimensions for 3-door cabinet, flush opening



Sliding door system / top running

- ▶ TopLine L / overlay door position / door movement in front of top panel
- ▶ Installation

Installation in brief

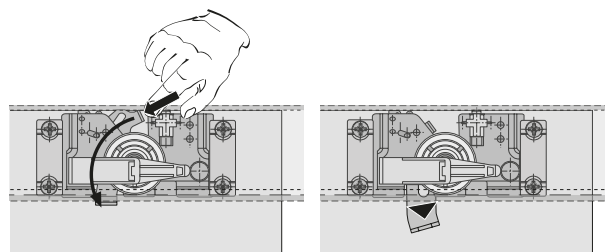
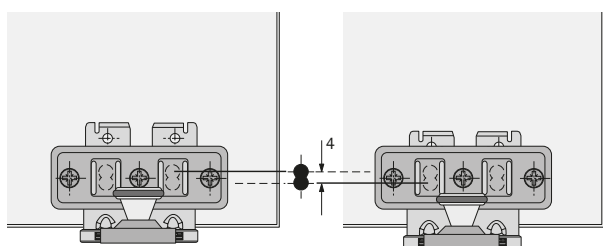
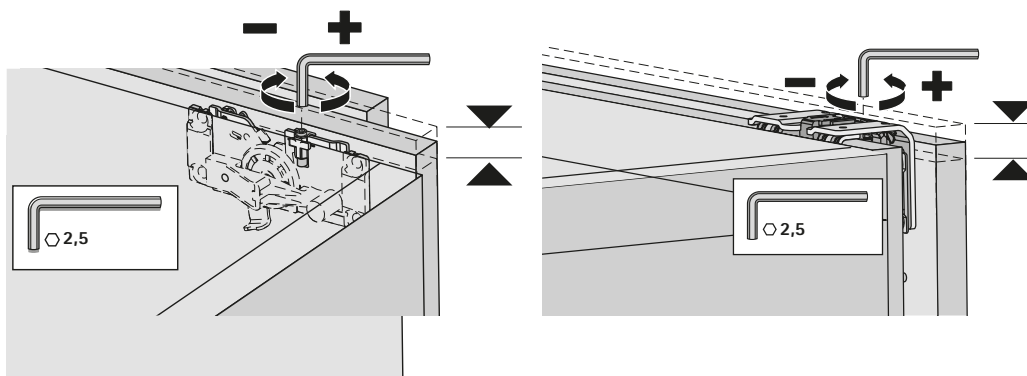
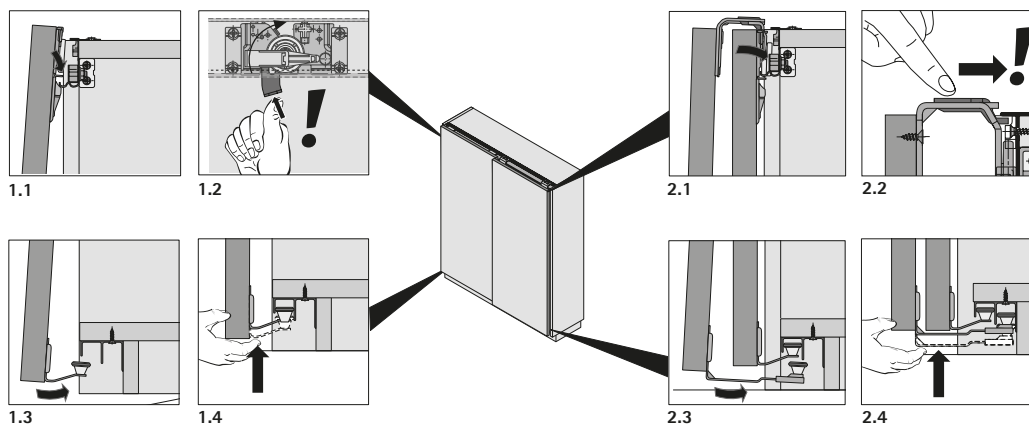
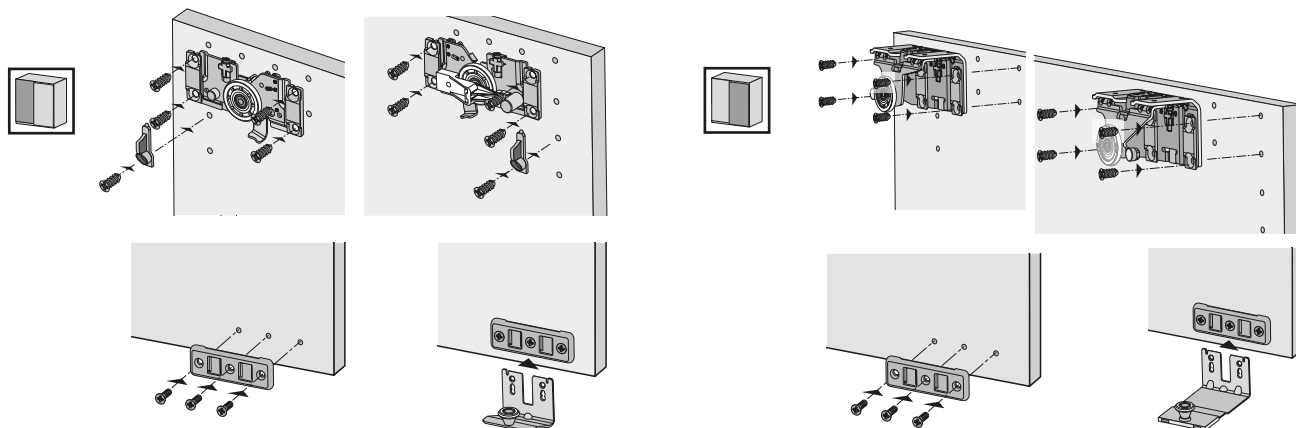


Sliding door system / top running

▶ TopLine L / overlay door position / door movement in front of top panel




▶ Installation

Installation in brief



Sliding door system / bottom running

► Range summary / technical comparison

	SlideLine M, overlay	SlideLine M, inset	SlideLine 55 Plus
			
Page	36 – 37	54 – 55	66 – 67
Description	Bottom running sliding door system with one runner	Bottom running sliding door system with two runners	Bottom running sliding door system with two runners
Number of runners	1	2	2
Door action	Horizontal	Horizontal	Horizontal
Door position	Overlay	Inset	Inset / overlay
Door weight	► 30 kg max.	► 30 kg max.	► 15 kg max. with plastic profile ► 30 kg max. with aluminium profile
Door material	Wood Aluminium Glass	Wood Aluminium Glass	Wood
Door width mm	300 – 1800	300 – 1800	400 – 2000
Door height mm	up to 2000	up to 2000	700 – 1500
Silent System	Soft closing, soft opening, soft colliding	Soft closing, soft opening, soft colliding	Soft closing, soft opening

Sliding door system / bottom running

- ▶ SlideLine M / overlay door position
- ▶ All the benefits at a glance



Design upgrade for furniture. SlideLine M upgrades the practical value and design of furniture. Living room units and shelf systems. Kitchen wall units and bathroom furniture. And, of course, office cabinets too. The versatile system is suitable for all common furniture constructions. Wooden, glass or aluminium framed doors weighing up to

30 kg can be installed quickly and easily. Profiles are available for several shelf thicknesses. Sliding doors running one in front of the other in one profile are also easy to produce. The Silent System is integrated on the running component and slows down door running action in closing, opening and colliding direction.



Including a feel of luxury: Silent System lets doors open and close quietly and gently. Where several sliding doors run side by side in one profile, they can even be slowed down as they move towards each other.



Tool-less fast installation: the SlideLine M system makes easy, fast work of installing sliding doors.



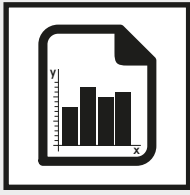
Spot on: perfectly align sliding doors – with the integrated height adjuster (+/- 2 mm).



Fast and easy: profiles are simple screw mounted to the assembled carcass.

Sliding door system / bottom running

- ▶ SlideLine M / overlay door position
- ▶ Summary



Performance summary

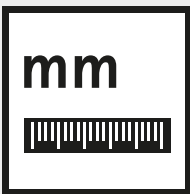
38 – 39

- ▶ Technical details in brief
- ▶ Door sizes
- ▶ Silent System
- ▶ Operating principle



System components

40 – 43



Planning dimensions

44 – 48



Installation

49 – 52



Accessories

136



Technical information

- ▶ Calculating door weights
- ▶ Design advice sliding door systems
- ▶ Quality criteria

138 – 139

80 – 82

83



For further information, go to www.hettich.com/short/b42691

- ▶ Detailed installation instructions
- ▶ CAD data
- ▶ Assembly video

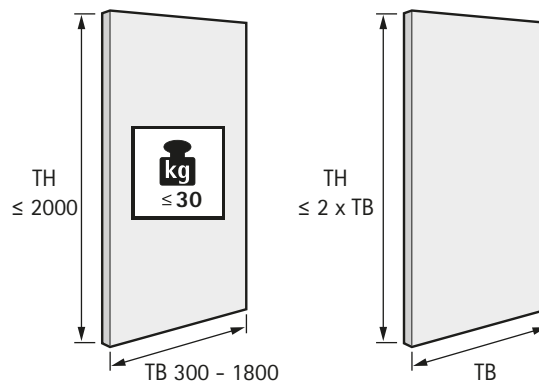
Sliding door system / bottom running

- ▶ SlideLine M / overlay door position
- ▶ Performance summary

Technical details in brief

- ▶ 1-track, bottom running sliding door system
- ▶ Overlay door position
- ▶ Wooden, glass or aluminium framed doors
- ▶ Door weight up to 30 kg
- ▶ Door height up to 2000 mm
- ▶ Door width from 300 - 1800 mm
- ▶ Shelf thicknesses 15, 16, 18, 19, 22, 25 mm
- ▶ +/- 2 mm height adjustment
- ▶ Silent System in closing, opening and colliding direction
- ▶ Tool-less fast installation of the front panel
- ▶ Tested to EN 15706, Level 1 or 3

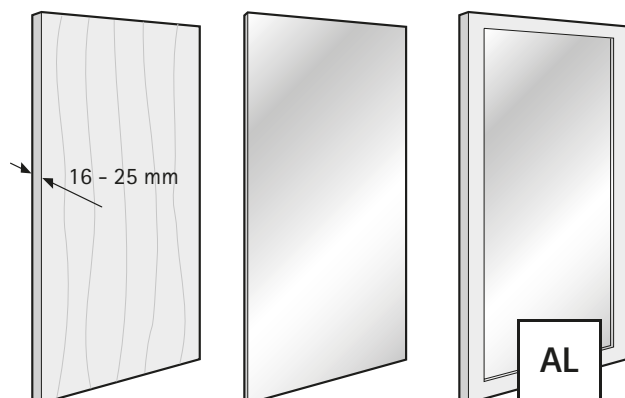
Door format and door weight



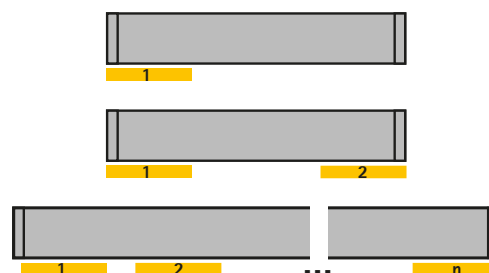
TB	300	400	500	600	700	800	900	1000	...	1800	
TH ≤	600	800	1000	1200	1400	1600	1800	2000	...	2000	

see pages 138 - 139

Door material



Number of door wings and door position



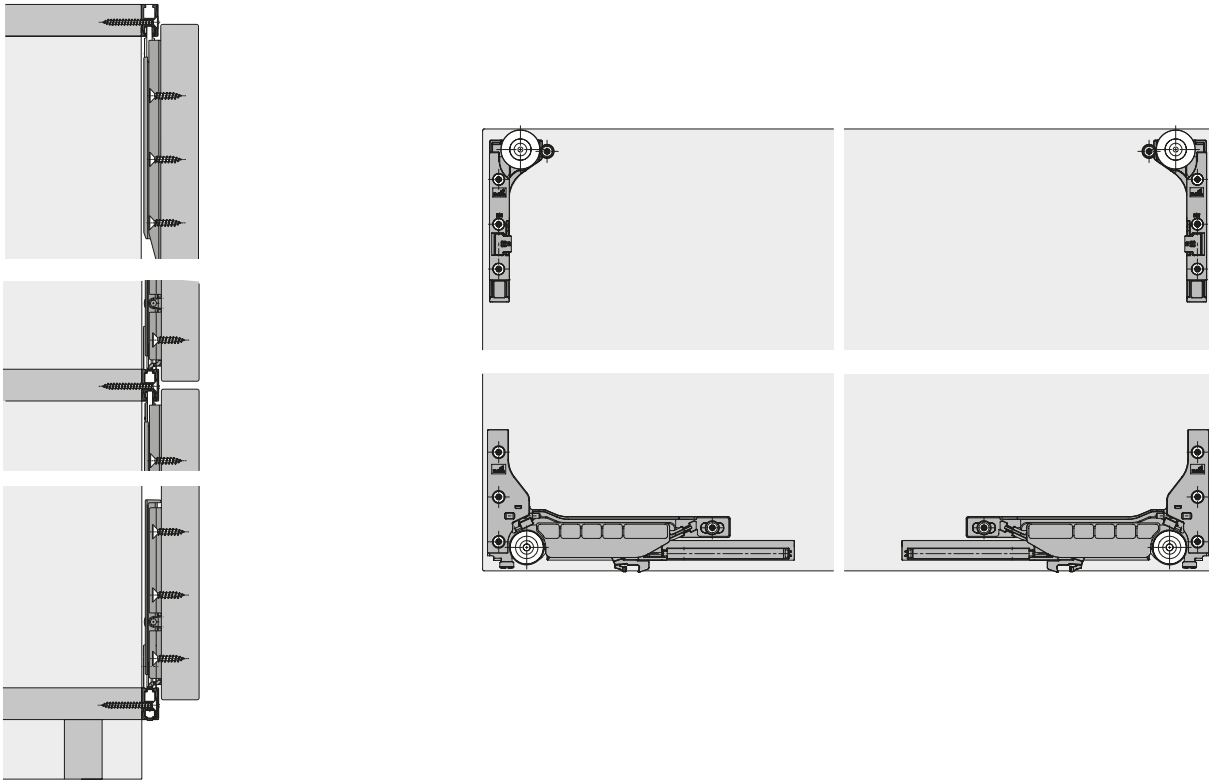
Silent System

	1-door	with several doors
Soft closing		
Soft opening		
Soft colliding		

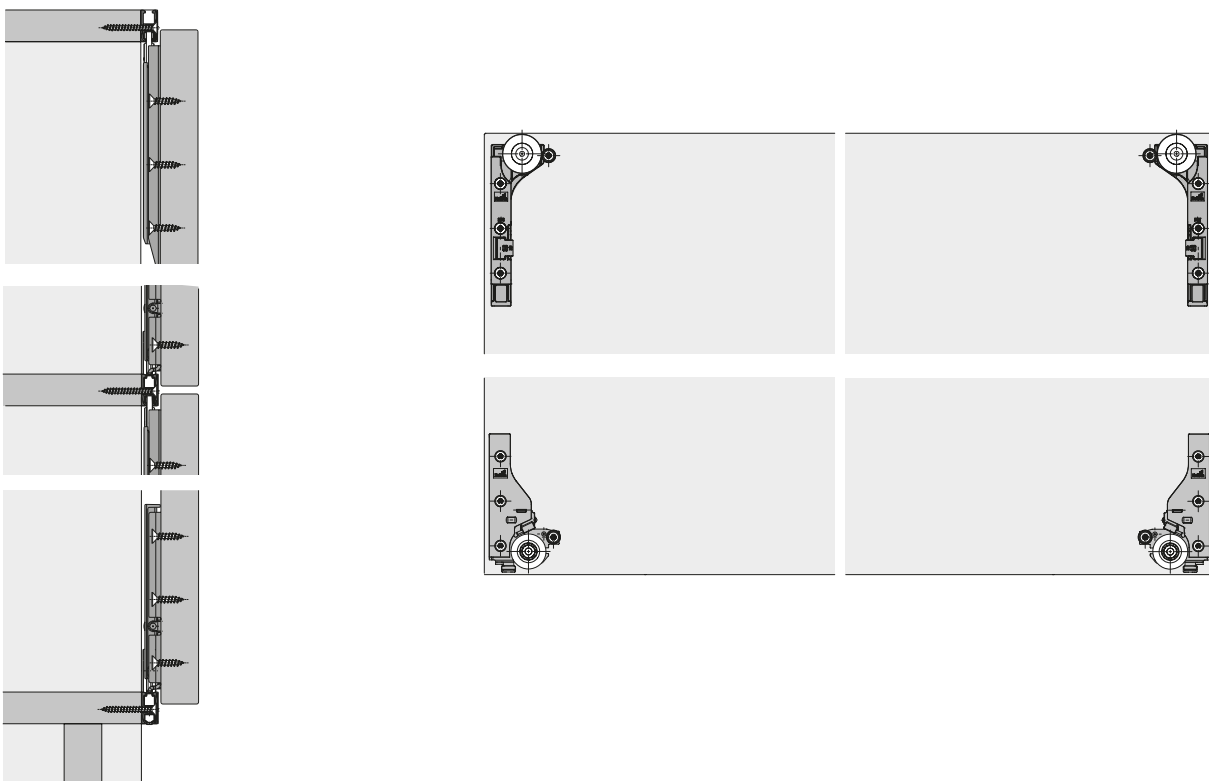
Sliding door system / bottom running

- ▶ SlideLine M / overlay door position
- ▶ Performance summary

Operating principle / SlideLine M with Silent System



Operating principle / SlideLine M without Silent System



- ▶ SlideLine M / overlay door position
- ▶ System components

Set of fittings for doors with Silent System (soft closing, soft opening and soft colliding)



- ▶ Set contains all the components required for 1 sliding door framed in wooden or 55 mm aluminium profiles with Silent System
- ▶ The set of fittings can be used without an additional upgrade set
- ▶ Suitable sheet metal screws must be used for installing the running and guide components on the 55 mm aluminium frame

Set comprises:

- ▶ 2 running components with Silent System
- ▶ 2 guide components
- ▶ 2 activators
- ▶ 2 end stops, top
- ▶ 2 guide bushes
- ▶ 1 Silent System in colliding direction
- ▶ 1 1.5 mm hexagon socket spanner
- ▶ Fixing screws for wooden doors

Advice:

- ▶ Please order profiles separately

Door weight per door (max)	Door type	Minimum door width in mm	Order no.	PU
10	Wooden door, 55 mm aluminium frame door	450	9 201 921	1 set
30	Wooden doors, 55 mm aluminium framed door	450	9 156 338	1 set

Set of fittings for doors without Silent System



- ▶ Set contains all the components required for 1 sliding door framed in wooden or 55 mm aluminium profiles without Silent System
- ▶ The set of fittings can be used without an additional upgrade set
- ▶ Suitable sheet metal screws must be used for installing the running and guide components on the 55 mm aluminium frame

Set comprises:

- ▶ 2 running components without Silent System
- ▶ 2 guide components
- ▶ 2 end stops, bottom
- ▶ 2 end stops, top
- ▶ 4 guide bushes
- ▶ 1 1.5 mm hexagon socket spanner
- ▶ Fixing screws for wooden doors

Advice:

- ▶ Please order profiles separately

Door type	Minimum door width in mm	Order no.	PU
Wooden doors, 55 mm aluminium framed doors	300	9 156 339	1 set

- ▶ SlideLine M / overlay door position
- ▶ System components

Upgrade set for glue mounted glass doors with Silent System



- ▶ Set contains all the upgrade components required for glue mounting 1 glass sliding door without Silent System
- ▶ For use with 2-component adhesive
- ▶ Supplied without adhesive
- ▶ Mounting adapter material: zinc alloy to DIN EN 12844-ZP5

Set comprises:

- ▶ 2 adhesive mounting adapters for guide components
- ▶ 2 adhesive mounting adapters for running components with Silent System
- ▶ 6 overrun strips
- ▶ 1 special tool

Advice:

- ▶ Please order profiles separately
- ▶ Set of fittings for doors with Silent System must be ordered separately

Door type	Minimum door width in mm	Order no.	PU
Glass sliding door	450	9 184 566	1 set

- ▶ SlideLine M / overlay door position
- ▶ System components

Profile sets: 2 profiles



- ▶ Profiles can be shortened as required
- ▶ If long enough, profiles can be cut into two and used as top and bottom runner profiles
- ▶ Coloured sets contain twice as many end caps

Set comprises:

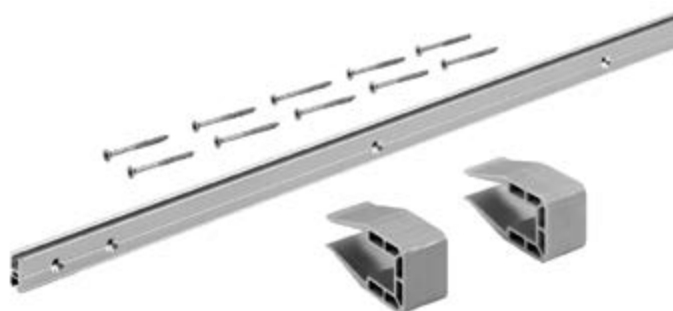
- ▶ 2 runner profiles, aluminium, silver anodized, predrilled
- ▶ 2 mounting clips
- ▶ Fixing material

Advice:

- ▶ Coloured sets for concealing the runner profiles with a coloured cover must be ordered separately

Profile height mm	Shelf thickness in mm	Length mm	Order no.	PU
16	15,16	4000	9 209 166	1 set
18	18,19	4000	9 209 218	1 set
25	25	4000	9 209 222	1 set

Profile sets: 1 profile



- ▶ Single profiles set as upgrade for furniture applications with doors running across each other
- ▶ Profiles can be shortened as required
- ▶ If long enough, profiles can be cut into two and used as top and bottom runner profiles
- ▶ Coloured sets contain twice as many end caps

Set comprises:

- ▶ 1 aluminium runner profile, silver anodized, predrilled
- ▶ 2 mounting clips
- ▶ Fixing screws

Advice:

- ▶ Coloured sets for concealing the runner profiles with a coloured cover must be ordered separately

Profile height mm	Shelf thickness in mm	Length mm	Order no.	PU
16	15,16	4000	9 209 224	1 set
18	18,19	4000	9 209 226	1 set
25	25	4000	9 209 231	1 set

- ▶ SlideLine M / overlay door position
- ▶ System components

Coloured sets for concealing the runner profiles with a coloured cover



- ▶ Set contains all the components required for concealing 1 runner profile with a coloured cover

Set comprises:

- ▶ 1 ABS decorative profile for gluing on
- ▶ 2 end caps
- ▶ 2 end caps (replacement)

Advice:

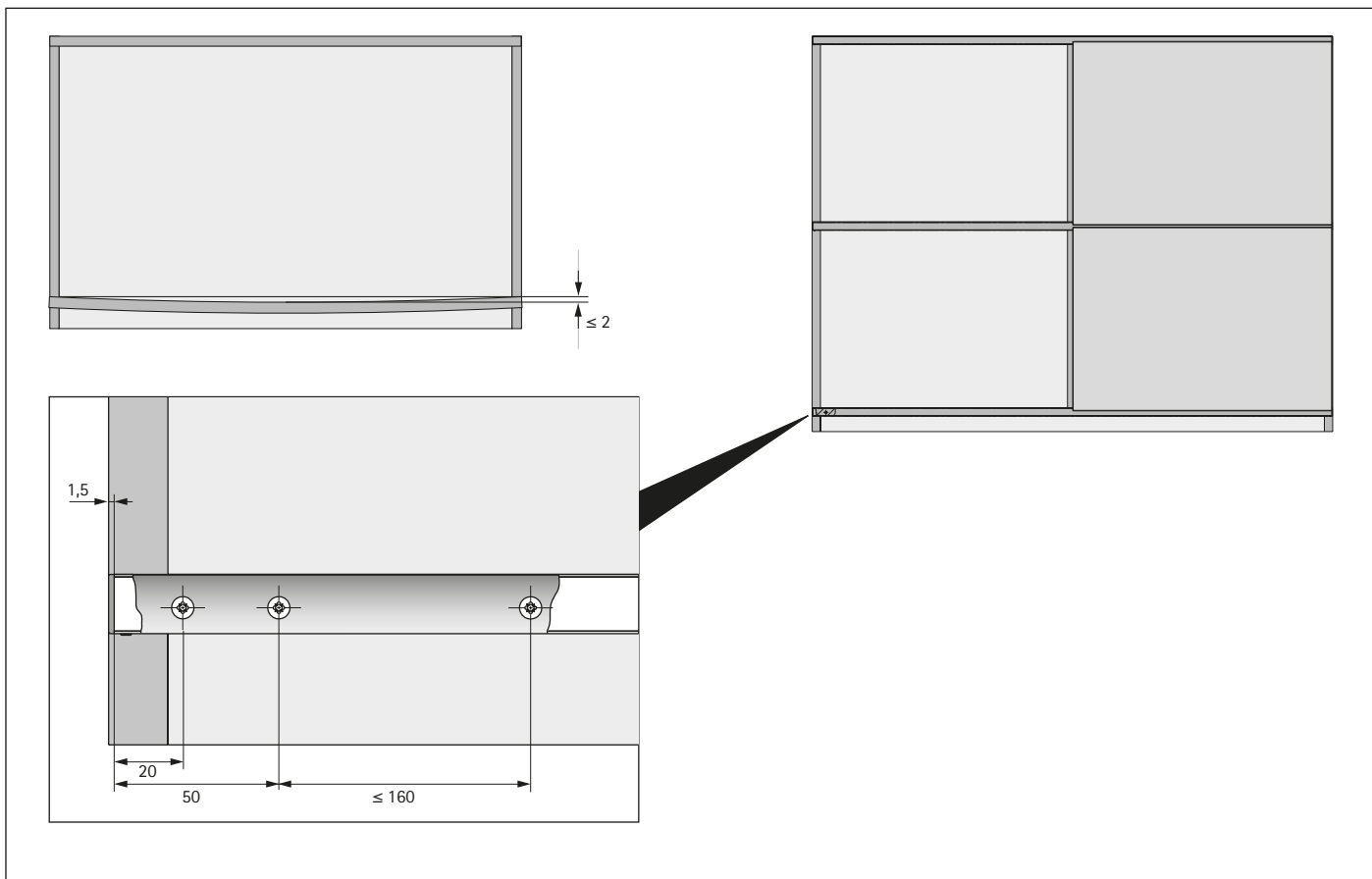
- ▶ For each profile set: 2 profiles, please order 2 coloured sets separately
- ▶ For each profile set: 1 profile, please order 1 coloured set separately

Profile height mm	Colour	Length mm	Order no.	PU
16	silver	4000	9 209 268	1 set
16	black	4000	9 209 271	1 set
16	white	4000	9 209 273	1 set
18	silver	4000	9 209 278	1 set
18	black	4000	9 209 280	1 set
18	white	4000	9 209 283	1 set
25	silver	4000	9 209 400	1 set
25	black	4000	9 209 403	1 set
25	white	4000	9 209 405	1 set

Sliding door system / bottom running

- ▶ SlideLine M / overlay door position
- ▶ Planning dimensions

Intended Use



Intended use

The SlideLine M furniture fitting is intended for application in furniture and use in dry indoor environments where it is protected from the elements. The version of the fitting with Silent System meets the requirements under DIN EN 15706 Level 3. The version of the fitting without Silent System meets the requirements under DIN EN 15706 Level 1.

Technical specifications

Door weight:	up to 30 kg	
Door size:	Min.	Max.
Width:	300 mm	1800 mm
Height:	300 mm	2000 mm
Max. height H for width W:	$H \leq 2 B$	
Shelf thicknesses:	15 mm, 16 mm, 18 mm, 19 mm, 22 mm, 25 mm	
Height adjustment:	+/- 2.0 mm	

When constructing furniture, it is important to note that the sliding door must be no higher than twice its width. Up to this relative height, SlideLine M meets the above-stated quality and safety requirements under DIN EN 15706. If the specified maximum relative height is exceeded, the furniture construction must undergo a function and safety test as defined in the relevant furniture standard.

Under DIN EN 15706 Level 1, the version of the fitting without Silent System is approved for use if it passes the 2 kg closing test specified there. If a higher load capacity is to be reached, e.g. on the grounds of requirements defined in a relevant furniture standard, this must be ensured by the fabricator in terms of furniture design (e.g. inset installation).



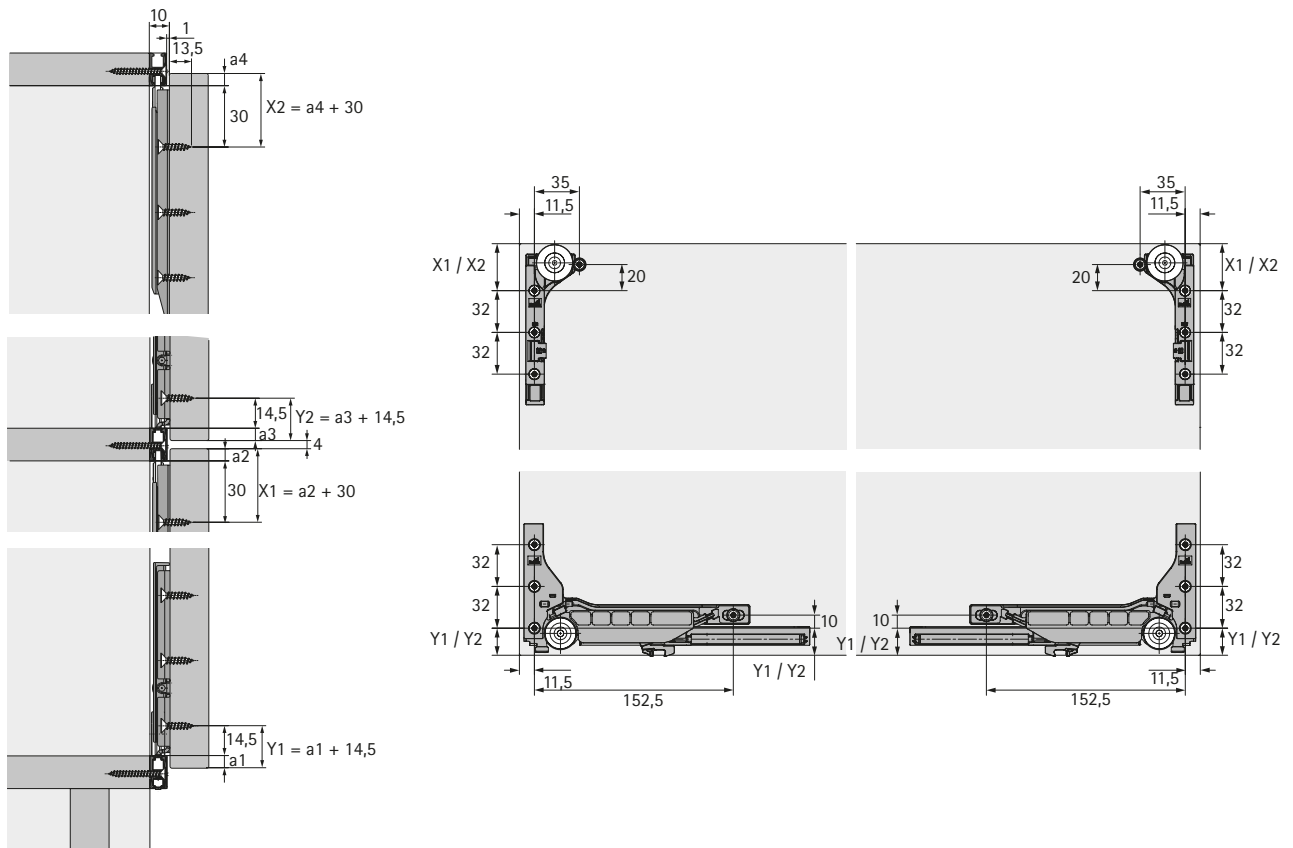
Safety risk

The SlideLine M sliding door fitting is only suitable for applications in which the design of furniture and its dimensional accuracy are capable of ensuring that the top and bottom runners always remain parallel (i.e. also in the case where there is a particularly heavy load on a shelf to which a runner is connected, for example) with a tolerance of no more than +/- 1 mm from the specified distance between both runners. Any failure to meet this requirement, e.g. as a result of sag in the panel to which the bottom runner is mounted, presents a safety risk (door falling out of the runner) that may cause personal injury. The stops must be securely mounted in the profile or safety could be put at risk (from door coming off at side) which may result in personal injury.

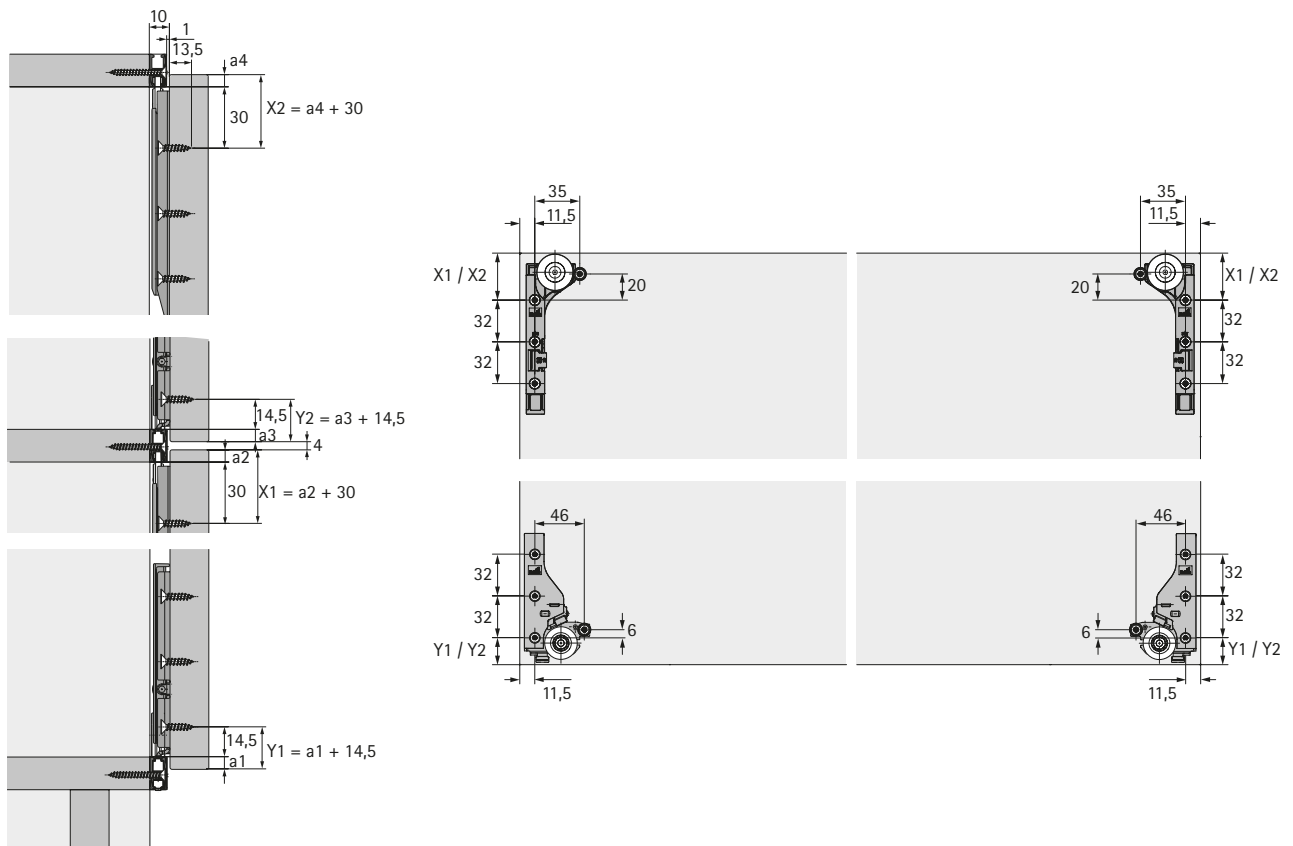
Sliding door system / bottom running

- ▶ SlideLine M / overlay door position
- ▶ Planning dimensions

Installation dimensions wooden door with Silent System / 55 mm aluminium framed door



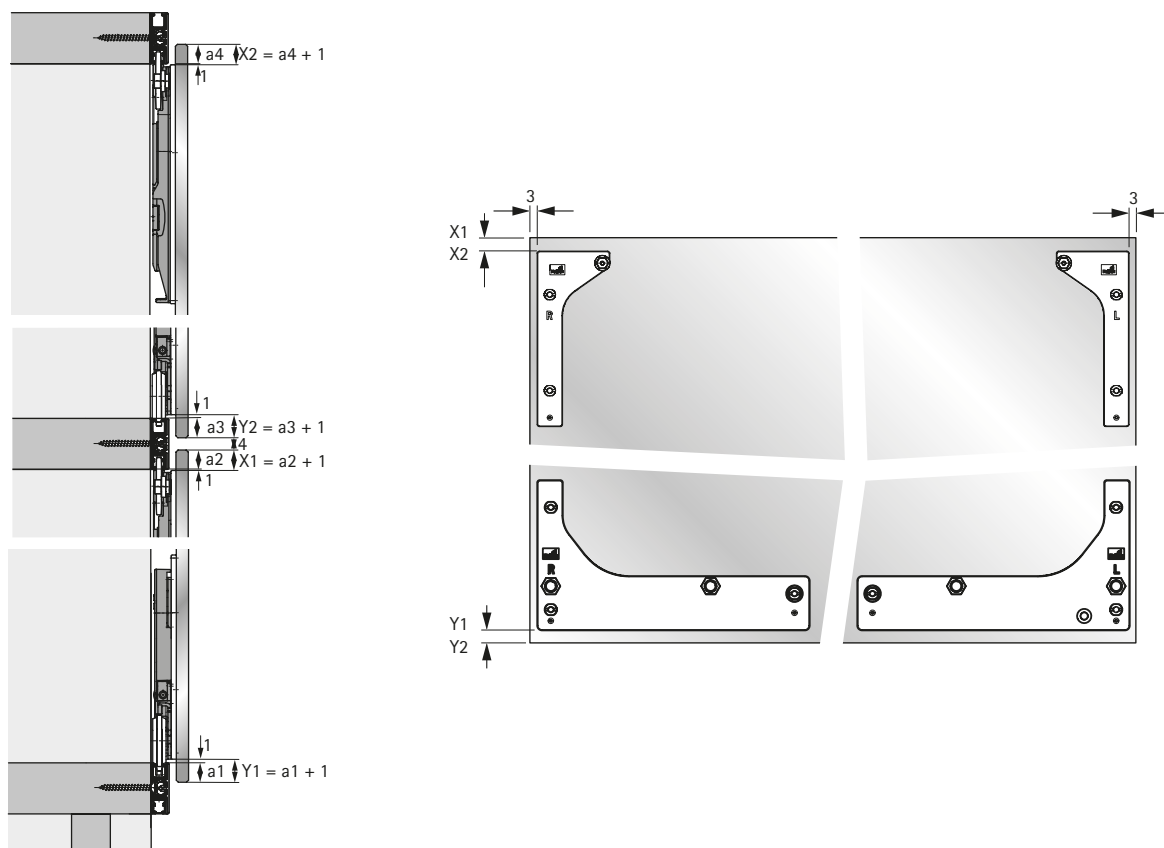
Installation dimensions for wooden door / 55 mm aluminium frame door without Silent System



Sliding door system / bottom running

- ▶ SlideLine M / overlay door position
- ▶ Planning dimensions

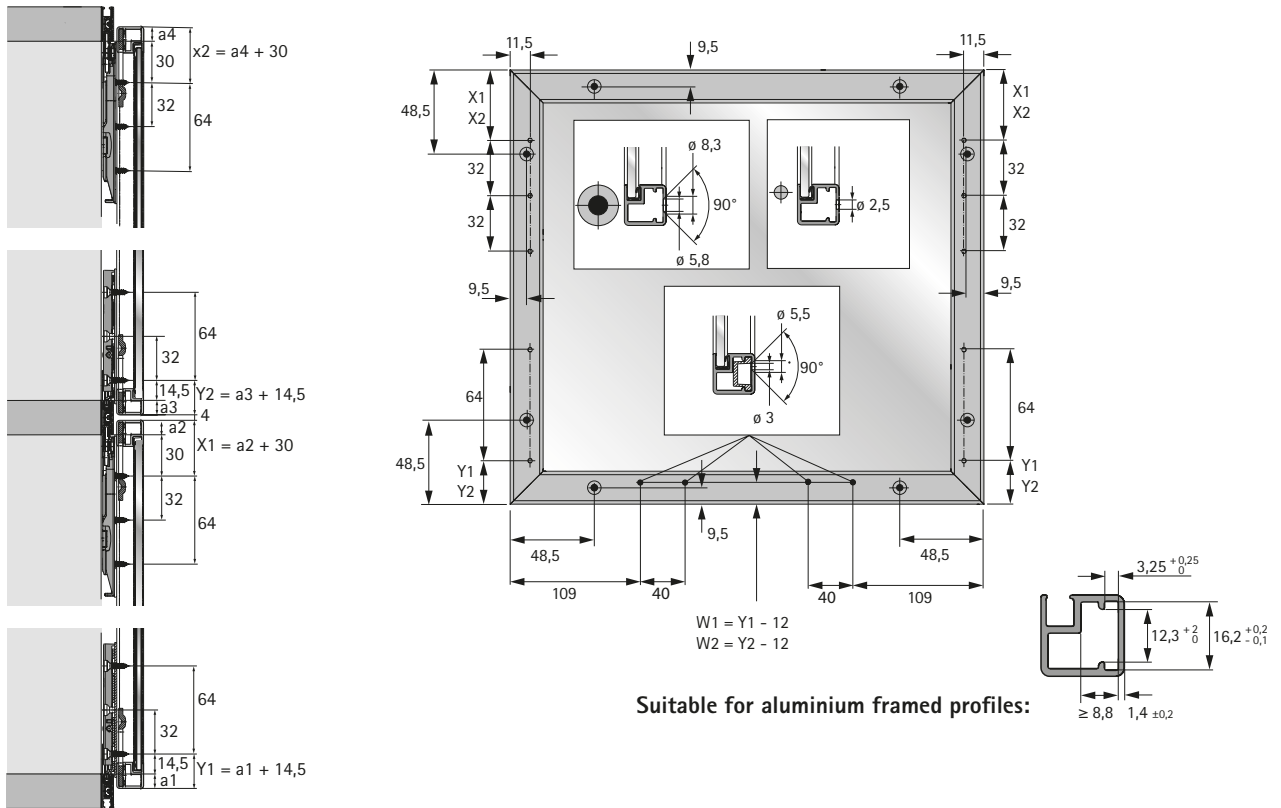
Installation dimensions for glue mounted glass door with Silent System



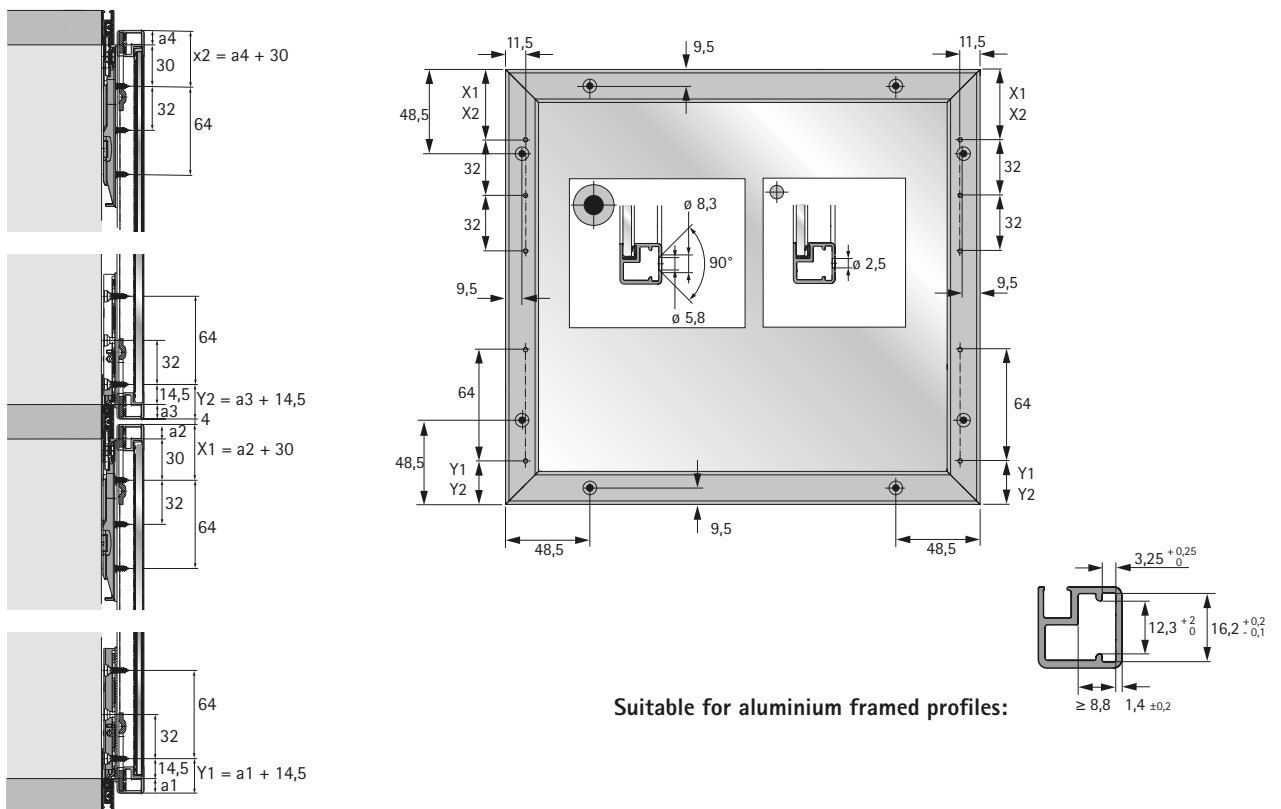
Sliding door system / bottom running

- ▶ SlideLine M / overlay door position
- ▶ Planning dimensions

Installation dimensions for 19 mm aluminium framed doors with Silent System



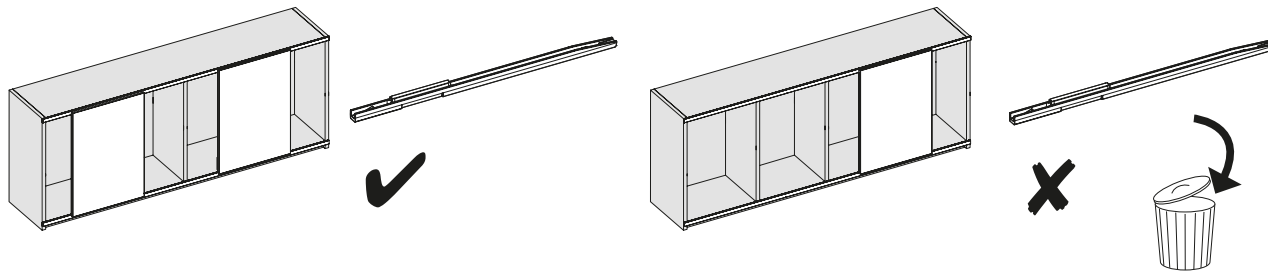
Installation dimensions for 19 mm aluminium frame door without Silent System



Sliding door system / bottom running

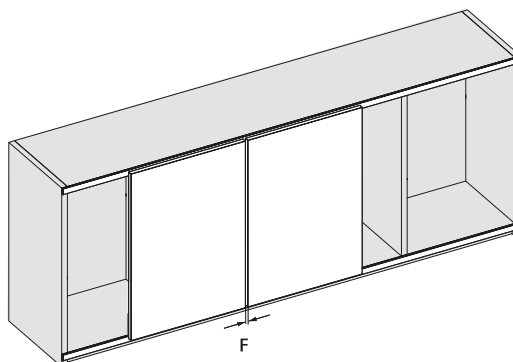
- ▶ SlideLine M / overlay door position
- ▶ Planning dimensions

Soft colliding for two or more doors

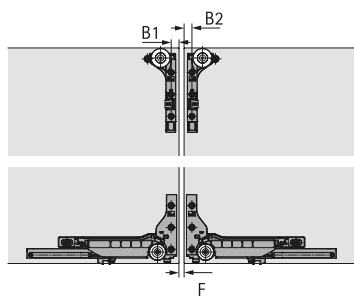


If two or more sliding doors run in one plane, they can be slowed down by soft colliding as they move towards each other.

Installation dimensions for soft colliding



The centre reveal F between two wooden doors can be influenced by the position of drill holes B1 and B2 for the running and guide components. Use of the standard drilling pattern produces a centre reveal of $F = 10$ mm.



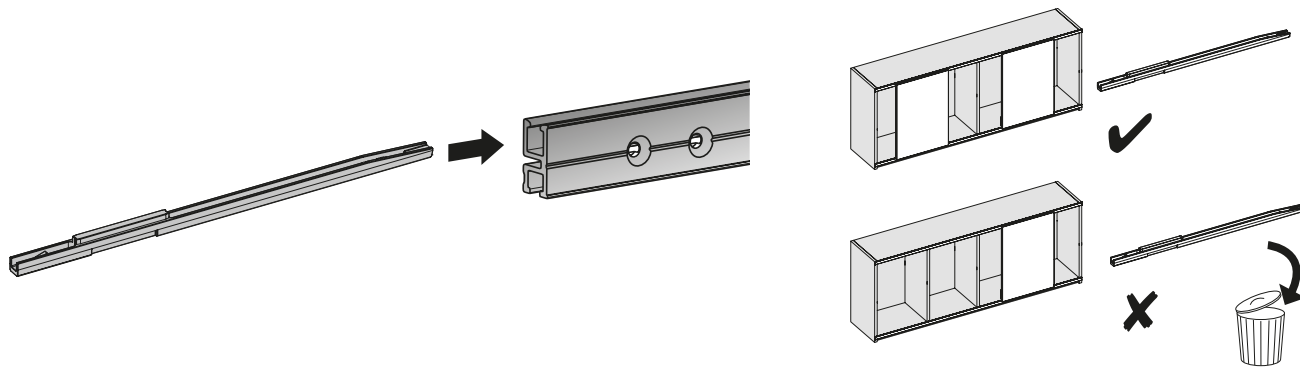
Centre reveal F mm	Drilling position B1 mm	Drilling position B2 mm
10	11,5	11,5
8	12,5	12,5
6	13,5	13,5
4	14,5	14,5
2	15,5	15,5

Depending on door width, door height and closing speed, door tops may collide if the centre reveal is < 10 mm. For this reason, Hettich recommends a centre reveal F of 10 mm for aluminium framed doors and glass doors.

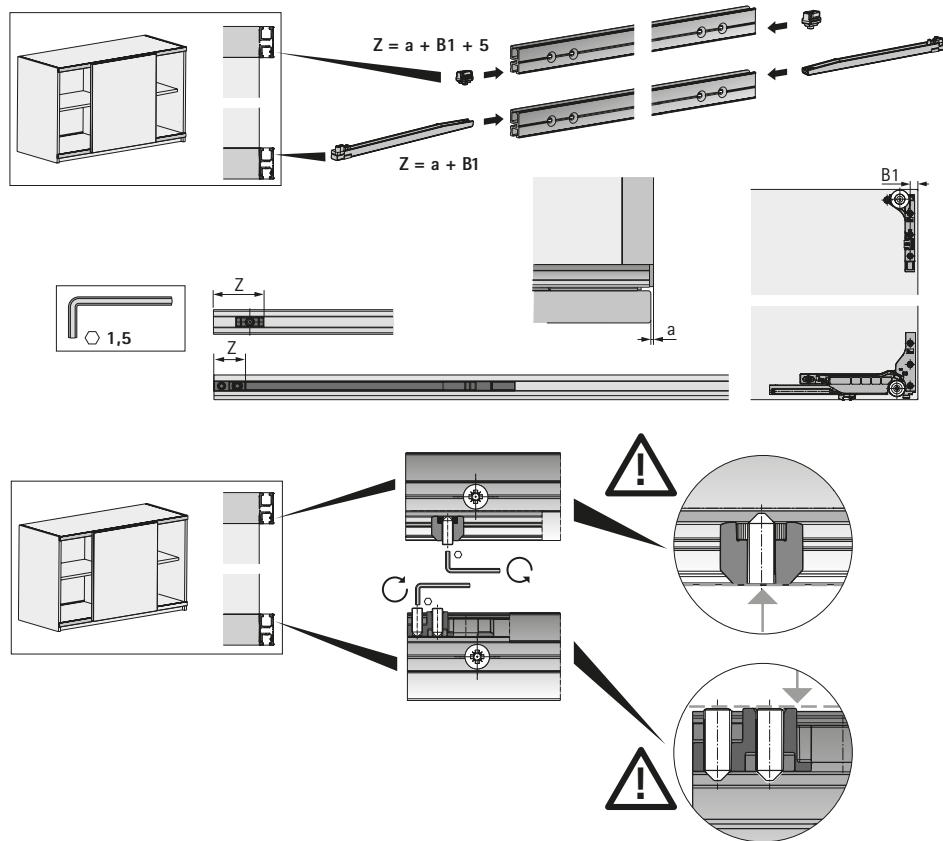
Sliding door system / bottom running

- ▶ SlideLine M / overlay door position
- ▶ Installation

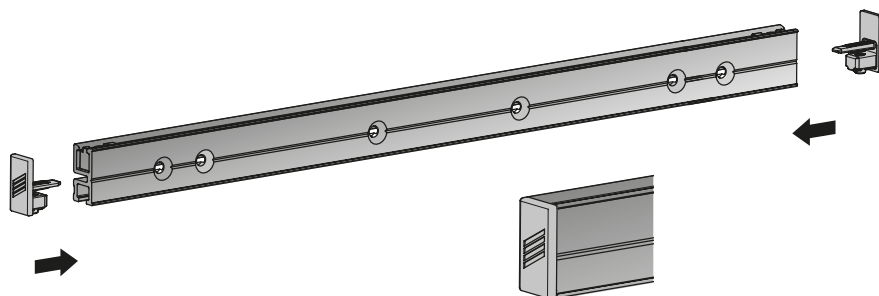
Installing the soft colliding element for two or more doors



Installing activators and end stops in the runner profile



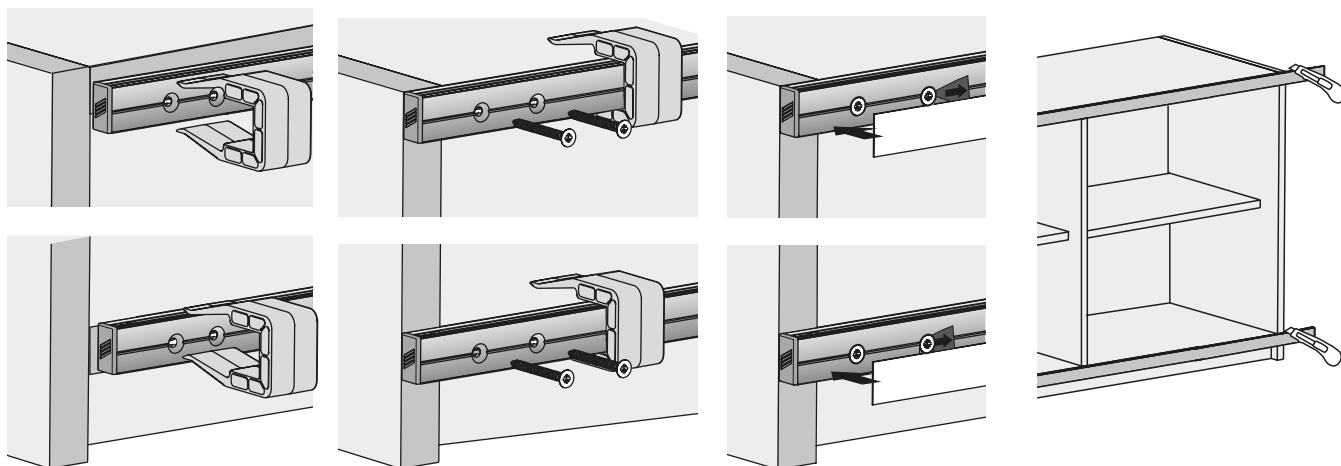
Installing end caps



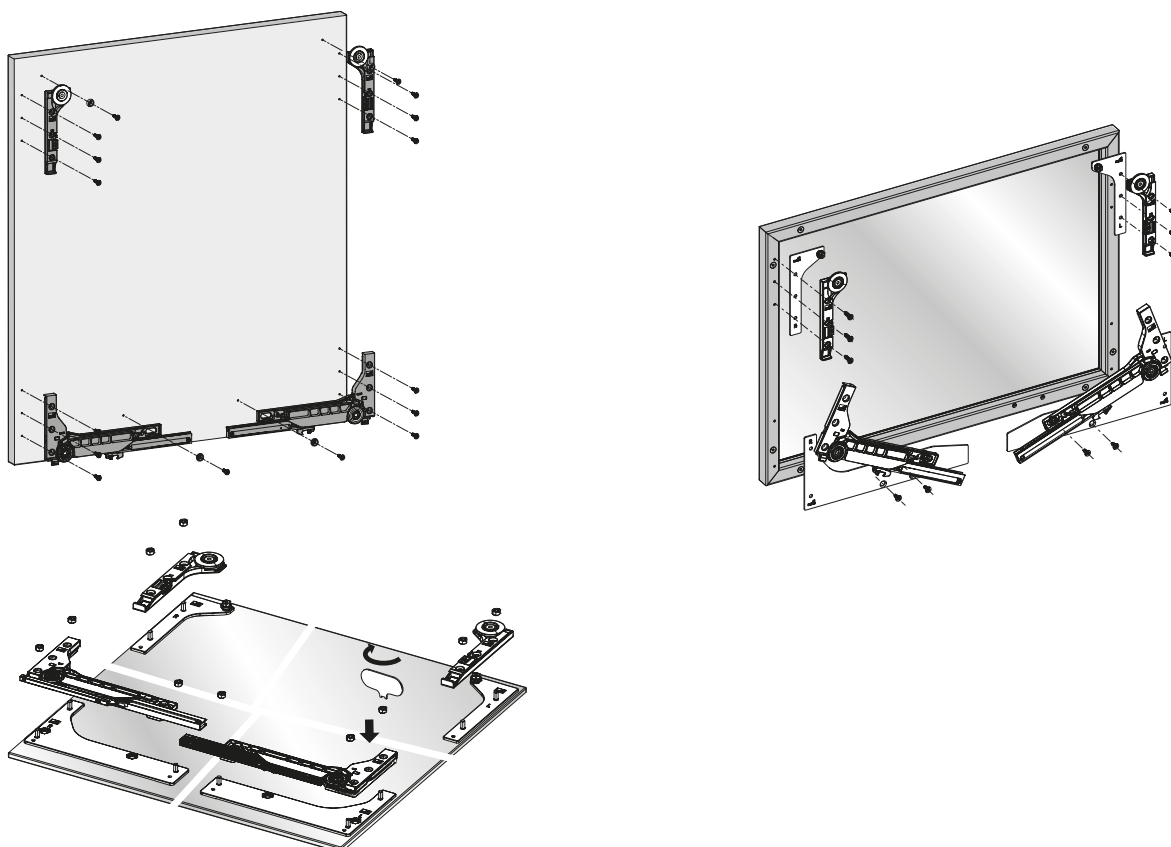
Sliding door system / bottom running

- ▶ SlideLine M / overlay door position
- ▶ Installation

Installing the runner profiles and decorative profiles



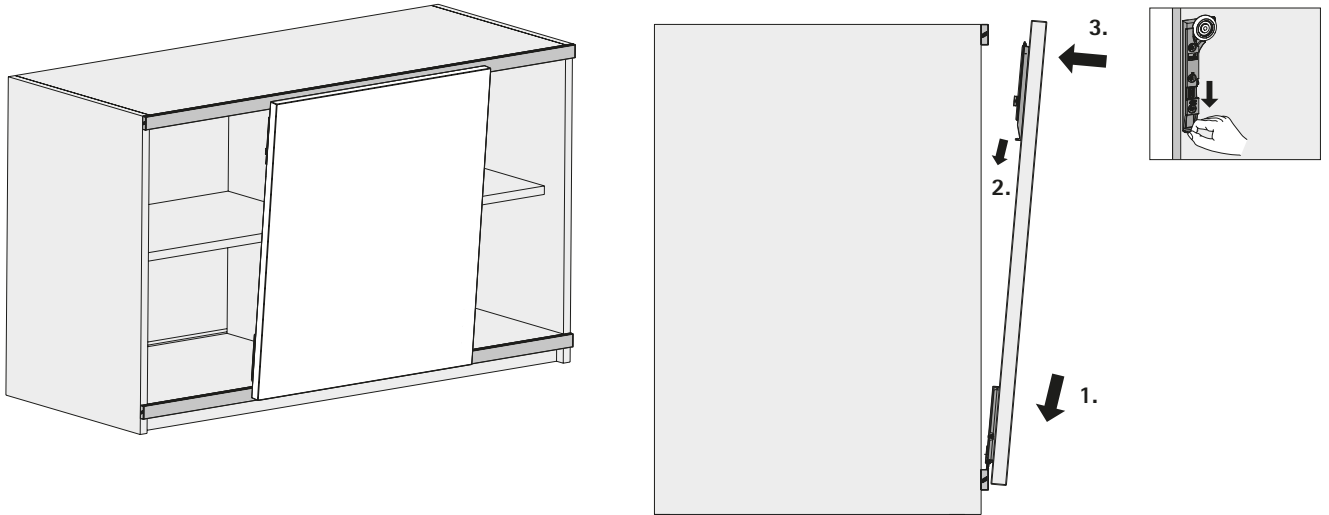
Installing the fitting and upgrade sets



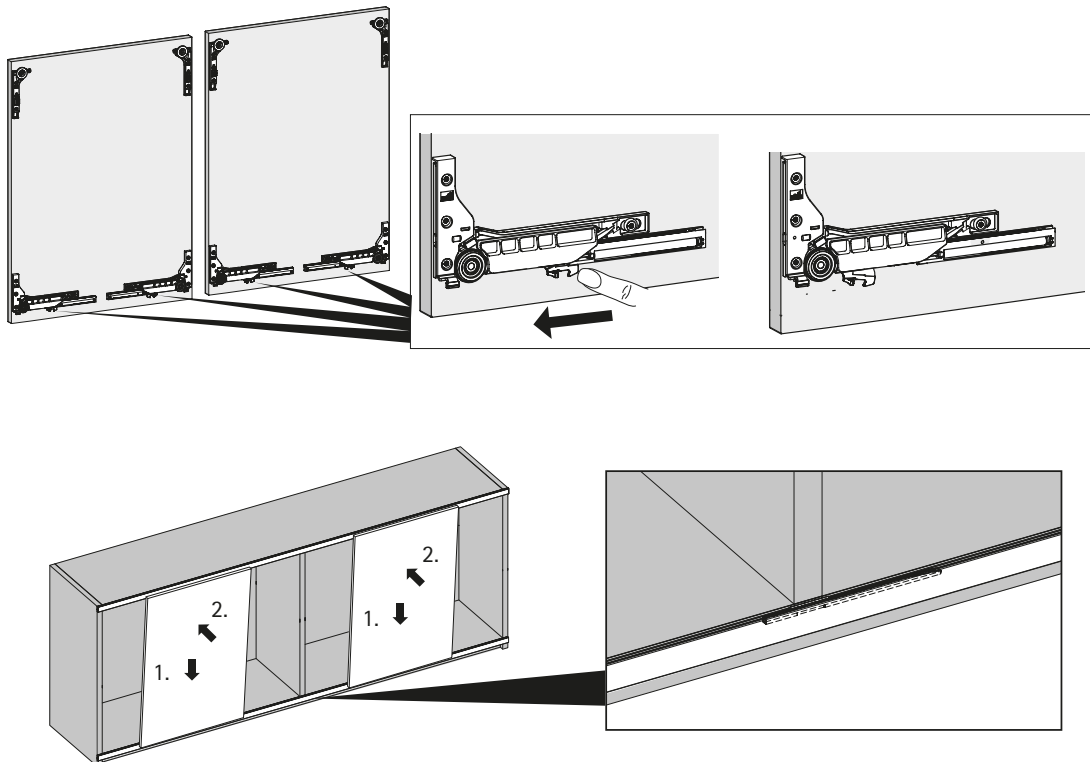
Sliding door system / bottom running

- ▶ SlideLine M / overlay door position
- ▶ Installation

Installing door



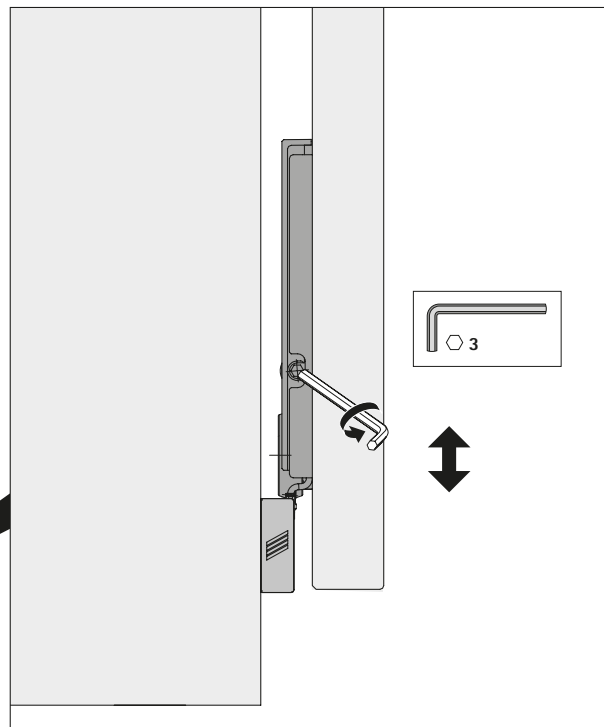
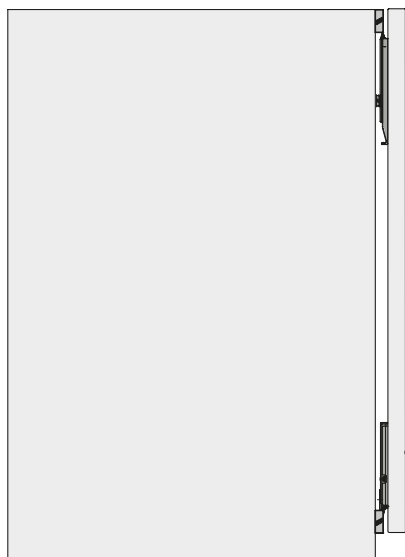
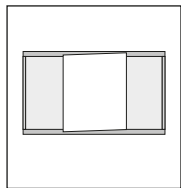
Installing several doors with soft colliding



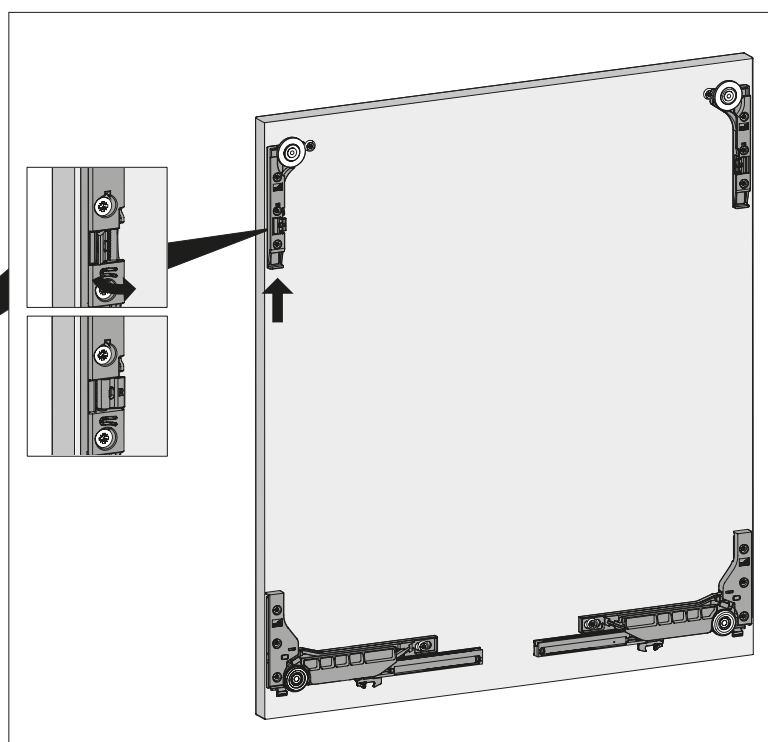
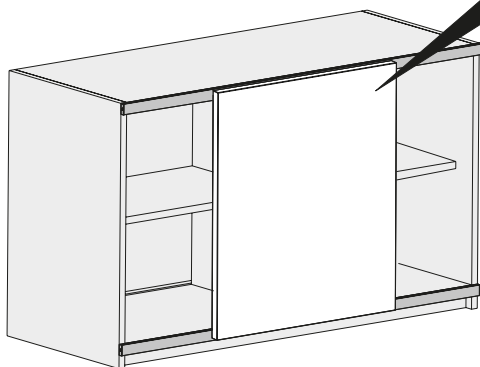
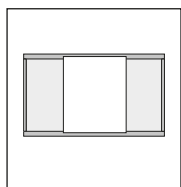
Sliding door system / bottom running

- ▶ SlideLine M / overlay door position
- ▶ Installation

Aligning door



Securing door



Sliding door system / bottom running

- ▶ SlideLine M / inset door position
- ▶ All the benefits at a glance



One system, countless applications. SlideLine M makes child's play of designing and assembling 2-door or 3-door cabinets. There's no limits to your creativity. Whether in the kitchen wall unit, as a clever alcove solution, in children's bedroom furniture or in the sideboard, SlideLine M impresses with its tremendous versatility. Wooden, aluminium framed or glass doors weighing up to 30 kg are quietly and gently

slowed down in closing, opening and colliding direction. The runner and guide profiles can be installed on all sorts of carcass and worktop materials as they can either be screwed on, stuck on or groove mounted.



Design option:

Whether in the wall unit or as clever alcove solution, SlideLine M is an integral part of the modern kitchen.



No risk of trapping: SlideLine M's inset door position and Silent System is also safe for children's little hands and feet.



Tried and tested system:

use of the standard SlideLine M fitting sets.

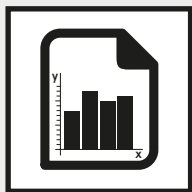


Installation options:

The runner and guide profiles can either be screwed on, stuck on or groove mounted.

Sliding door system / bottom running

- ▶ SlideLine M / inset door position
- ▶ Summary



Performance summary

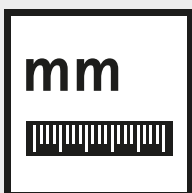
56 – 57

- ▶ Technical details in brief
- ▶ Door sizes
- ▶ Silent System
- ▶ Operating principle



System components

58 – 60



Planning dimensions

61



Installation

62 – 65



Accessories

136



Technical information

- ▶ Calculating door weights
- ▶ Design advice sliding door systems
- ▶ Quality criteria

138 – 139

80 – 82

83

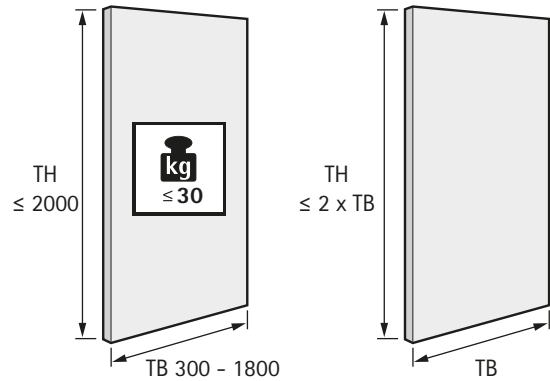
Sliding door system / bottom running

- ▶ SlideLine M / inset door position
- ▶ Performance summary

Technical details in brief

- ▶ 1-track or 2-track bottom-running sliding door system
- ▶ Inset door position
- ▶ Wooden, glass or aluminium framed doors
- ▶ 2-door or 3-door application
- ▶ Runner and guide profile for screwing on or pressing in
- ▶ Door weight up to 30 kg
- ▶ Door height up to 2000 mm
- ▶ Door width from 300 - 1800 mm
- ▶ +/- 2 mm height adjustment
- ▶ Silent System in closing, opening and colliding direction
- ▶ Door quickly mounted without the need for tools
- ▶ Tested to EN 15706, Level 3

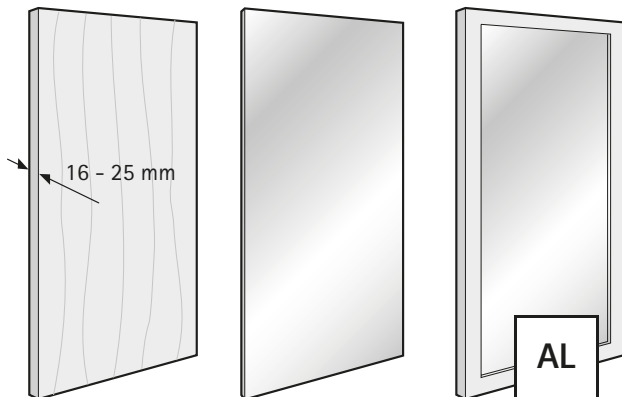
Door format and door weight



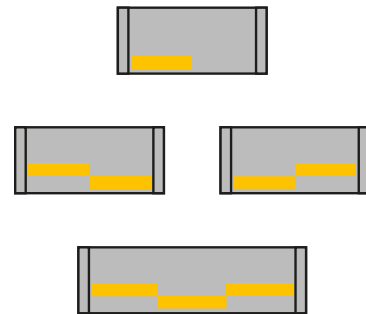
TB	300	400	500	600	700	800	900	1000	...	1800	
TH ≤	600	800	1000	1200	1400	1600	1800	2000	...	2000	

see pages 138 - 139

Door material



Number of door wings and door position



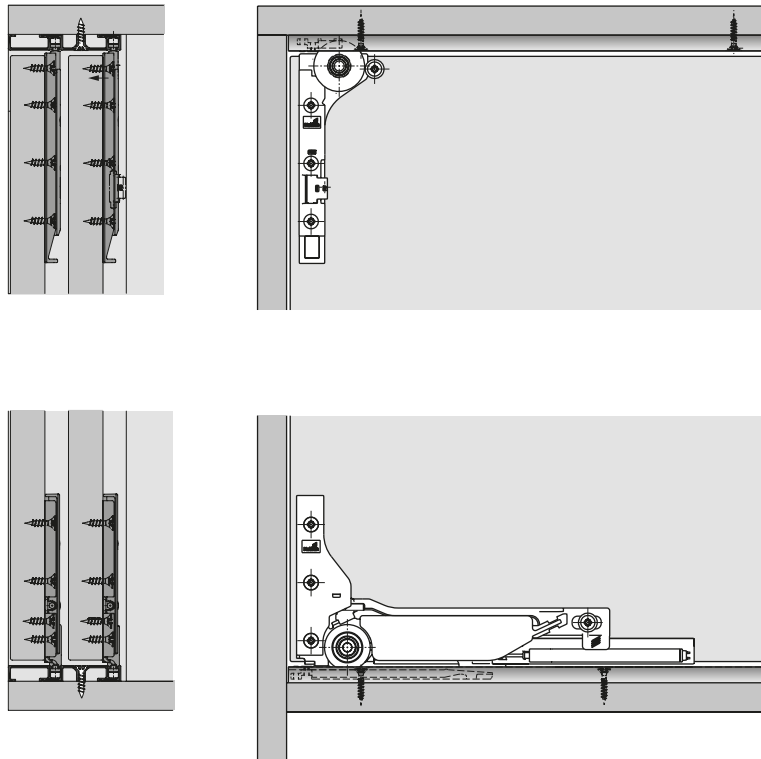
Silent System

	1-door	2-door	3-door	
Soft closing				
Soft opening				
Soft colliding				

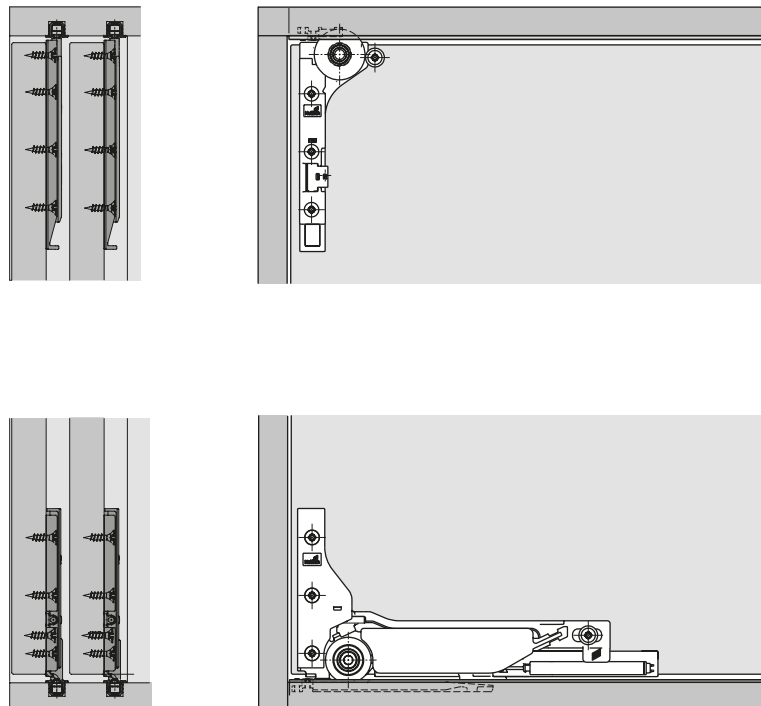
Sliding door system / bottom running

- ▶ SlideLine M / inset door position
- ▶ Performance summary

Operating principle / 2-track runner profile for screwing on / gluing on



Operating principle / 1-track runner profile for pressing in



- ▶ SlideLine M / inset door position
- ▶ System components

Profile set: 2-track runner profile for screwing on / gluing on



- ▶ Set contains all the profile components required for a 2-door or a 3-door cabinet
- ▶ Attachment in the screw slot or attachment using suitable adhesive tape

Set comprises:

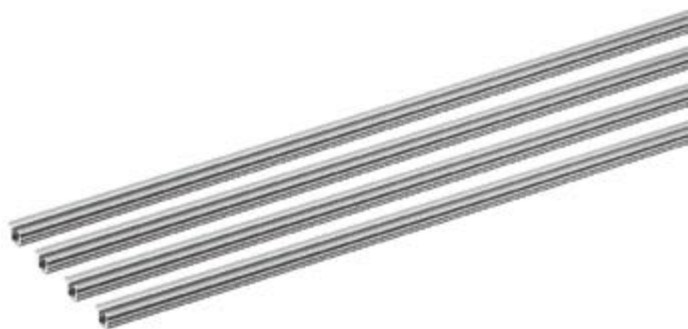
- ▶ 2 runner profiles, aluminium, silver anodized
- ▶ 2 mounting adapters

Advice:

- ▶ Please order fitting sets separately (see p. 8)
- ▶ Screws used for attachment in the screw slot must be ordered separately
- ▶ Adhesive tape for glue mounting must be ordered separately

Length mm	Order no.	PU
2500	9 227 245	1 set

Profile set: 1-track runner profile for pressing in



- ▶ Set contains all the profile components required for a 2-door or a 3-door cabinet
- ▶ Runner profiles for pressing in

Set comprises:

- ▶ 4 runner profiles, aluminium, silver anodized

Advice:

- ▶ Please order fitting sets separately (see p. 8)

Length mm	Order no.	PU
2500	9 227 246	1 set

- ▶ SlideLine M / inset door position
- ▶ System components

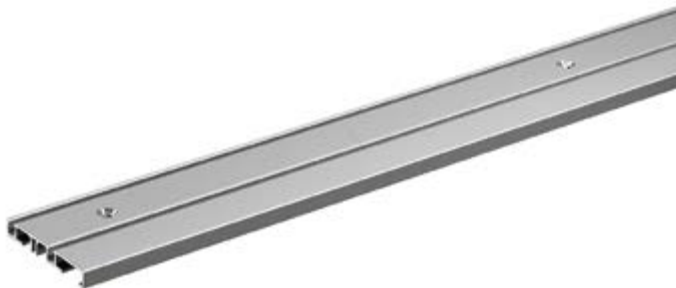
2-track runner profile for screwing on in the screw slot / for gluing on



- ▶ 2-track runner profile without holes
- ▶ Attachment by screwing on in the screw slot or attachment using suitable adhesive tape
- ▶ Two runner profiles must be fitted per 2-door or 3-door cabinet
- ▶ Aluminium, silver anodized

Length mm	Order no.	PU
2500	9 227 186	100 ea.

2-track runner profile for screwing on



- ▶ 2-track runner profile with holes
- ▶ Screw on attachment
- ▶ Two runner profiles must be fitted per 2-door or 3-door cabinet
- ▶ Aluminium, silver anodized

Length mm	Order no.	PU
2500	9 227 183	100 ea.

1-track runner profile for pressing in



- ▶ 1-track runner profile
- ▶ For pressing into groove
- ▶ Four runner profiles must be fitted per 2-door or 3-door cabinet
- ▶ Aluminium, silver anodized

Length mm	Order no.	PU
2500	9 227 188	100 ea.

- ▶ SlideLine M / inset door position
- ▶ System components

Fixing screws



- ▶ For 2-track runner profile for invisible attachment in screw slot
- ▶ Fixing screws for max. shelf thicknesses of 16, 18/19 and 25 mm
- ▶ Galvanised steel
- ▶ One set of screws must be used for each profile set

Set comprises:
26 screws

Shelf thickness mm	Order no.	PU
16	9 229 240	1 set
18 - 19	9 229 241	1 set
25	9 229 243	1 set

adhesive tape



- ▶ Double sided adhesive tape for gluing on 2-track runner profile
- ▶ 5 metres of adhesive tape must be used per runner profile in a length of 2,500 mm
- ▶ Using adhesive tape requires a suitable, cleaned surface
- ▶ Supplied on 25 m roll
- ▶ Easily shortened

Length m	Order no.	PU
25	9 227 006	4 ea.

Mounting aid



- ▶ 2-track runner profile for screwing on in the screw slot / for gluing on
- ▶ Installation requires the use of 2 mounting aids

Order no.	PU
9 229 154	50 ea.

Screw on door stop / spacer



- ▶ 1 door application / spacer required for 2-door cabinet with a door height < 1,000 mm
- ▶ 2 door stops / spacers are required for a 2-door cabinet in a door height > 1,000 mm
- ▶ Plastic, grey

Order no.	PU
9 115 216	1/100 ea.

Sliding door system / bottom running

- ▶ SlideLine M / inset door position
- ▶ Planning dimensions

Installing 2-track runner profile for screwing on / gluing on

Technical drawings for installing a 2-track runner profile. The drawings include side and top views of the runner profile with dimensions: 65, 40, 32, ≥ 7 , 5.8, 15, 25, 3, 1, 8.5, 19, 13, 19, 20, 40, 1, 288, 27, 32, 35, 20, SPS 3,5 x 20, 32, 32, 2, 11,5, 11,5, 40. The drawings also include exploded views of the door and runner assembly. The mounting diagrams show hole patterns for cabinet heights $H \leq 1000$ and $H > 1000$, with dimensions: 0,4 x H, 25, $\emptyset 5 \times 12$, 13, 25, $\geq 7,3$, $\emptyset 6,3 \times 12,5$, $\geq 7,3$, $\emptyset 3,5 \times 12$.

Installing 1-track runner profile for pressing in

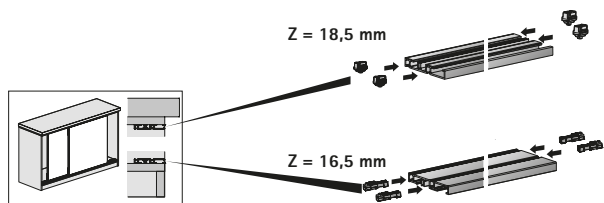
Technical drawings for installing a 1-track runner profile. The drawings include side and top views of the runner profile with dimensions: 65, 9, 32, ≥ 7 , 5.8, 15, 25, 7.5, 4, 3, 1, 8.5, 19, 13, 19, 20, 40, 1, 288, 27, 32, 35, 20, SPS 3,5 x 20, 32, 32, 2, 11,5, 11,5, 40, 14, 13. The drawings also include exploded views of the door and runner assembly. The mounting diagrams show hole patterns for cabinet heights $H \leq 1000$ and $H > 1000$, with dimensions: 0,4 x H, 25, $\emptyset 5 \times 12$, 13, 25, $\geq 7,3$, $\emptyset 6,3 \times 12,5$, $\geq 7,3$, $\emptyset 3,5 \times 12$.

Sliding door system / bottom running

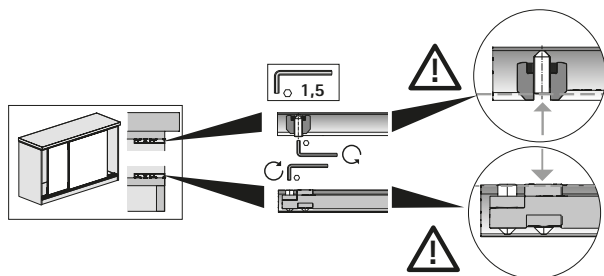
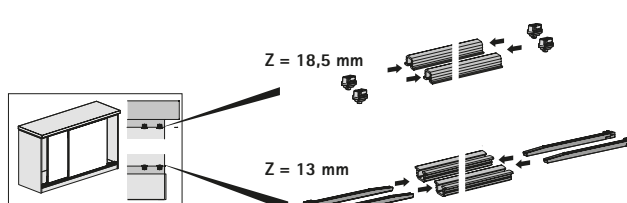
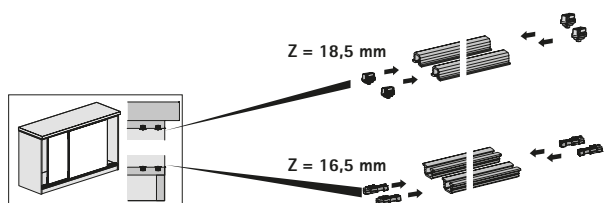
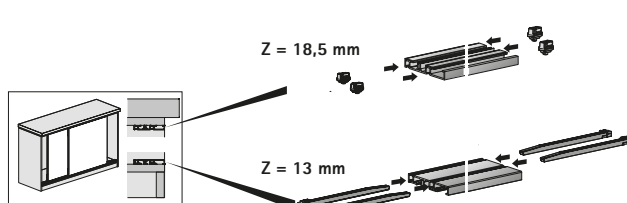
- ▶ SlideLine M / inset door position
- ▶ Installation

Installing activators and end stops in the runner profile

Silent System:



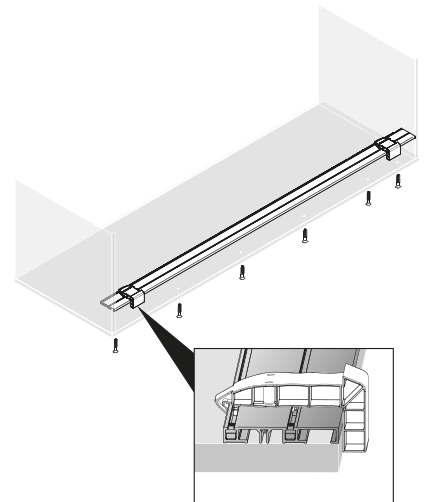
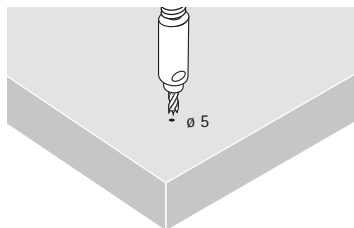
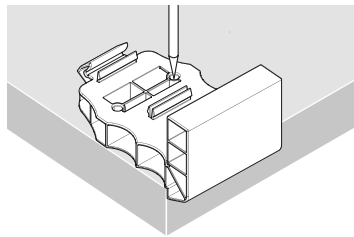
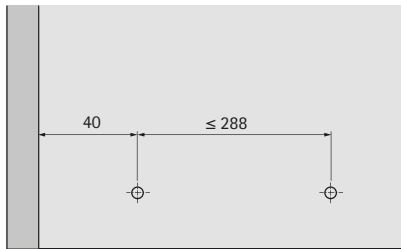
Silent System:



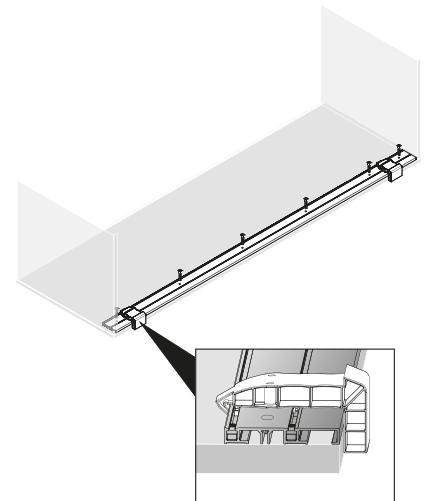
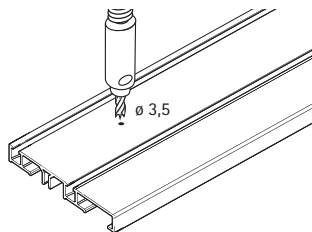
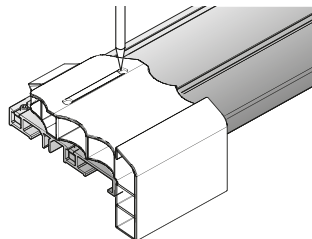
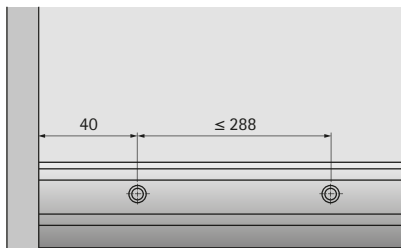
Sliding door system / bottom running

- ▶ SlideLine M / inset door position
- ▶ Installation

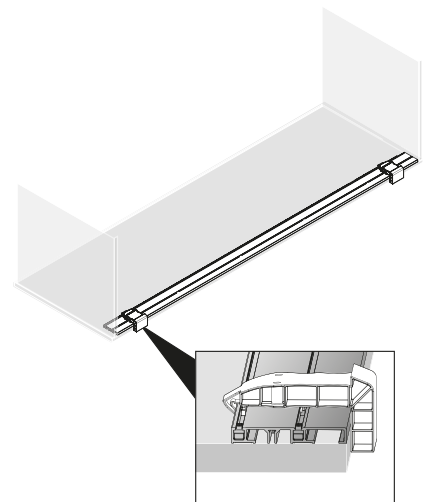
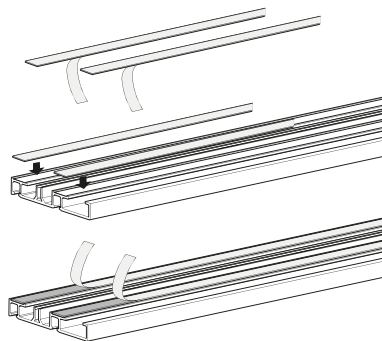
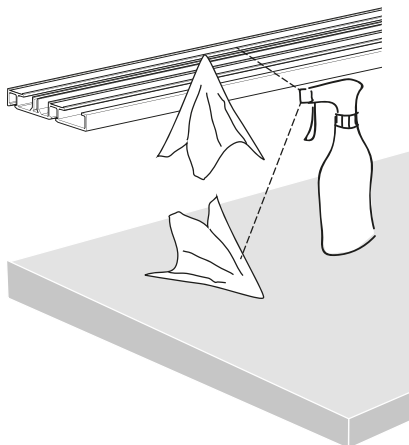
Installing 2-track runner profile for screwing on in the screw slot



Installing 2-track runner profile for screwing on



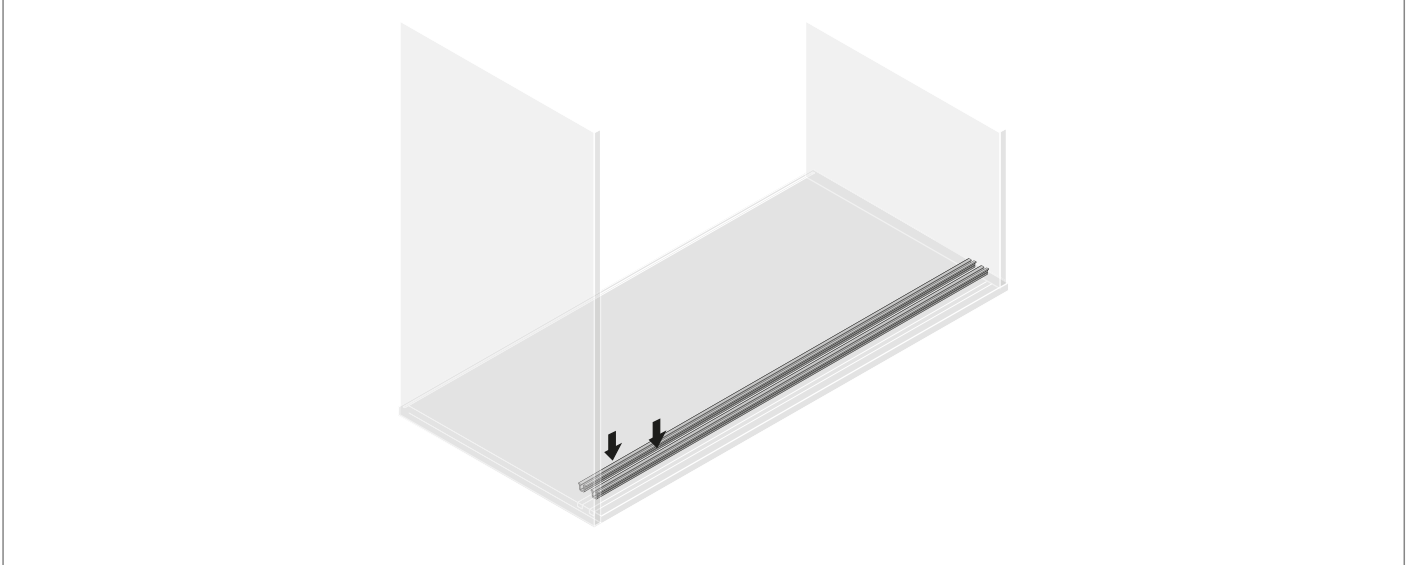
Installing 2-track runner profile for gluing on



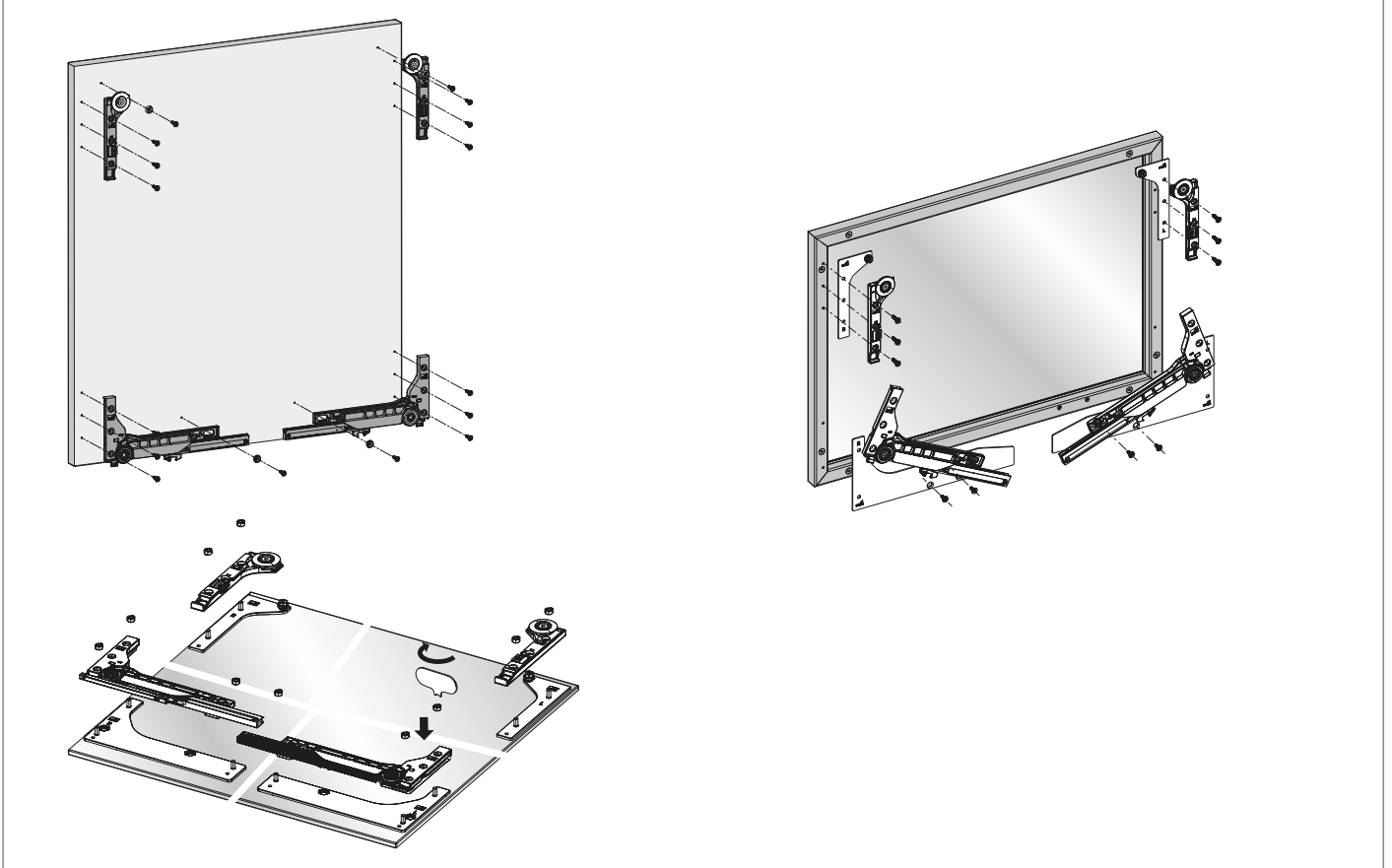
Sliding door system / bottom running

- ▶ SlideLine M / inset door position
- ▶ Installation

Installing 1-track runner profile for pressing in



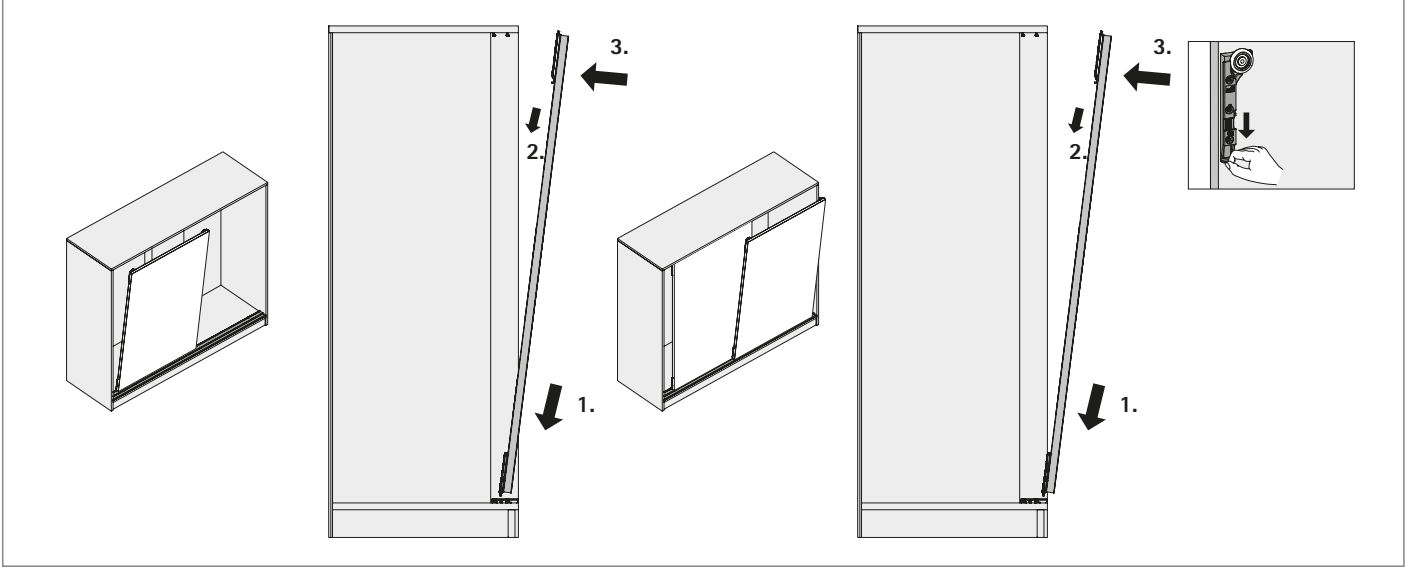
Installing the fitting and upgrade sets



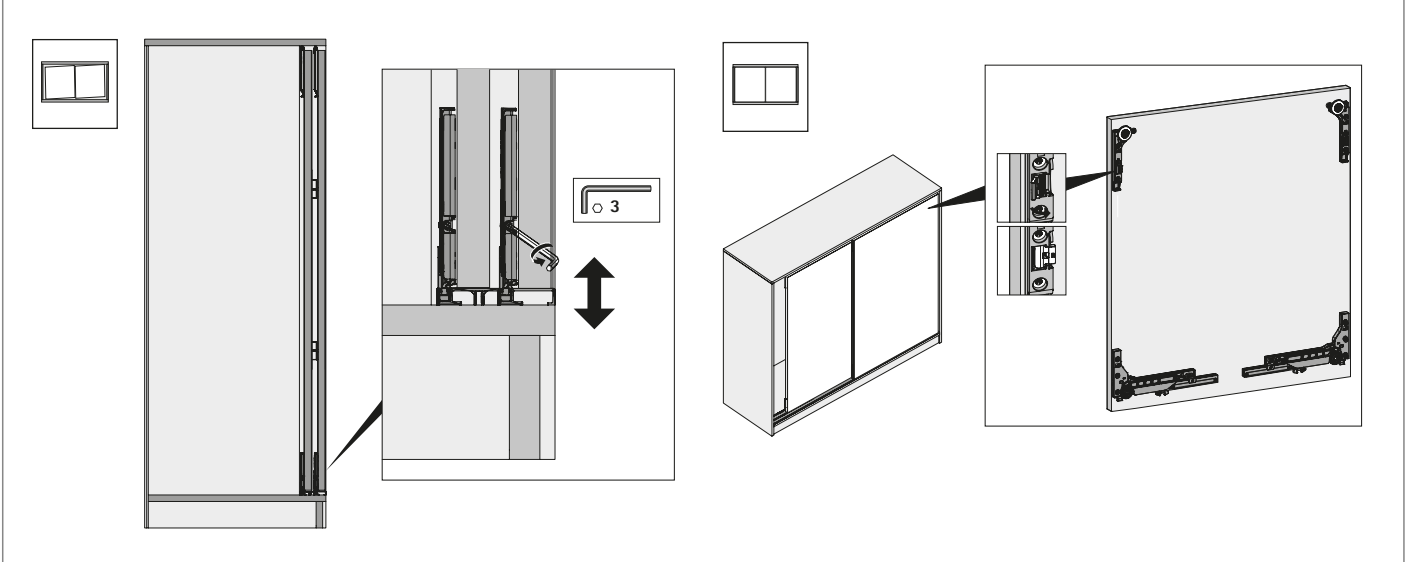
Sliding door system / bottom running

- ▶ SlideLine M / inset door position
- ▶ Installation

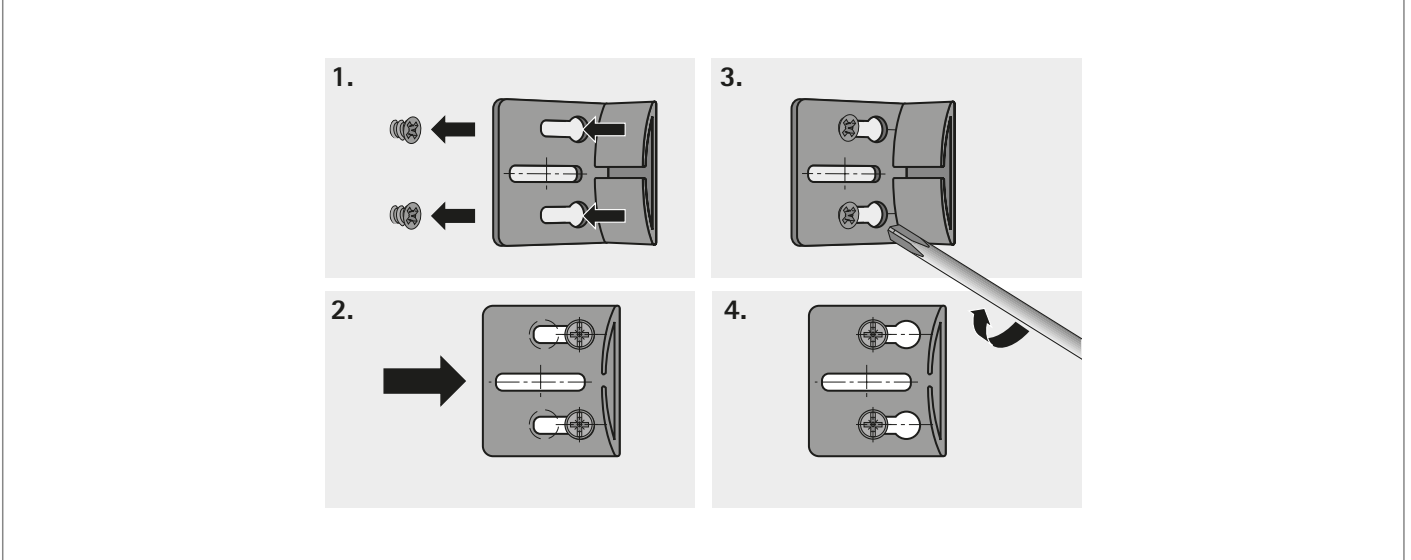
Installation the doors



Aligning doors



Installing spacer



Sliding door system / bottom running

- ▶ SlideLine 55 Plus / overlay and inset door position
- ▶ All the benefits at a glance



Attraction for the office. SlideLine 55 Plus combines superb convenience and design with unbeatable value for money. SlideLine 55 Plus brings smooth and quiet running action to sliding doors – if preferred, with integrated

Silent System. The fitting permits tool-less precision adjustment. Particularly in conjunction with overlay doors, this creates furniture with a high quality aura all of its own.



Efficient: wide opening sliding doors for optimum use of storage space.



Invisible: the integrated Silent System does not interfere with storage space.



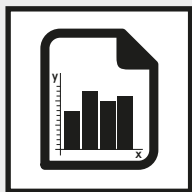
Versatile: furniture can be designed with inset or overlay doors using just 1 system.



Space efficient: sliding doors provide greater freedom of movement at the workplace.

Sliding door system / bottom running

- ▶ SlideLine 55 Plus / overlay and inset door position
- ▶ Summary



Performance summary

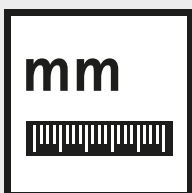
68 – 69

- ▶ Technical details in brief
- ▶ Door sizes
- ▶ Silent System
- ▶ Operating principle



System components

70 – 72



Planning dimensions

73 – 74



Installation

75 – 79



Accessories

136



Technical Information

138 – 139

- ▶ Calculating door weights
- ▶ Design advice sliding door systems
- ▶ Quality criteria

80 – 82

83

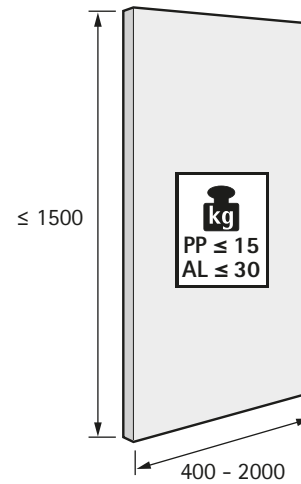


- ▶ SlideLine 55 Plus / overlay and inset door position
- ▶ Performance summary

Technical details in brief

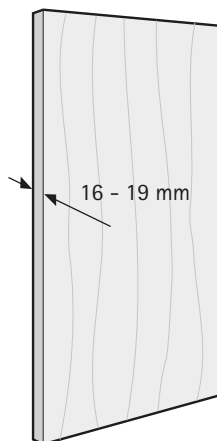
- ▶ 2-track, bottom-running sliding door system
- ▶ Inset, overlay door position
- ▶ For wooden doors
- ▶ Door weight up to 15 kg with plastic profiles
- ▶ Door weight up to 30 kg with aluminium profiles
- ▶ Door height up to 1500 mm
- ▶ Door width 400 - 2000 mm
- ▶ Door thicknesses 16 - 19 mm
- ▶ Height adjustment +/- 1.5 mm, tool-less
- ▶ Tested to EN 15706, Level 3

Door format and door weight

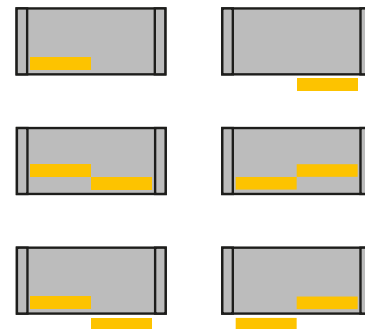


see pages 138 - 139

Door material



Number of door wings and door position



Silent System

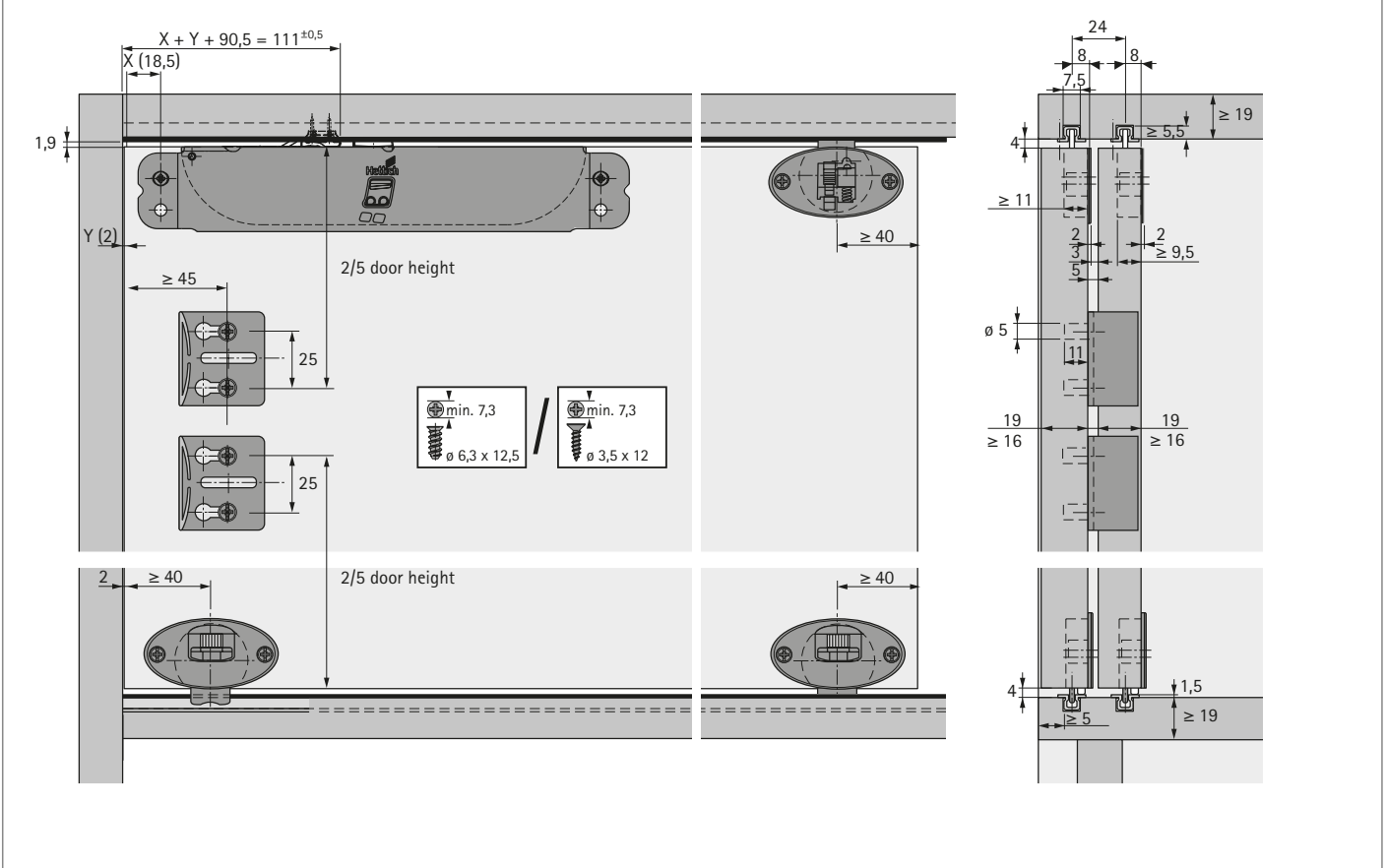
	1-door	2-door		
Soft closing				
Soft opening				

Sliding door system / bottom running

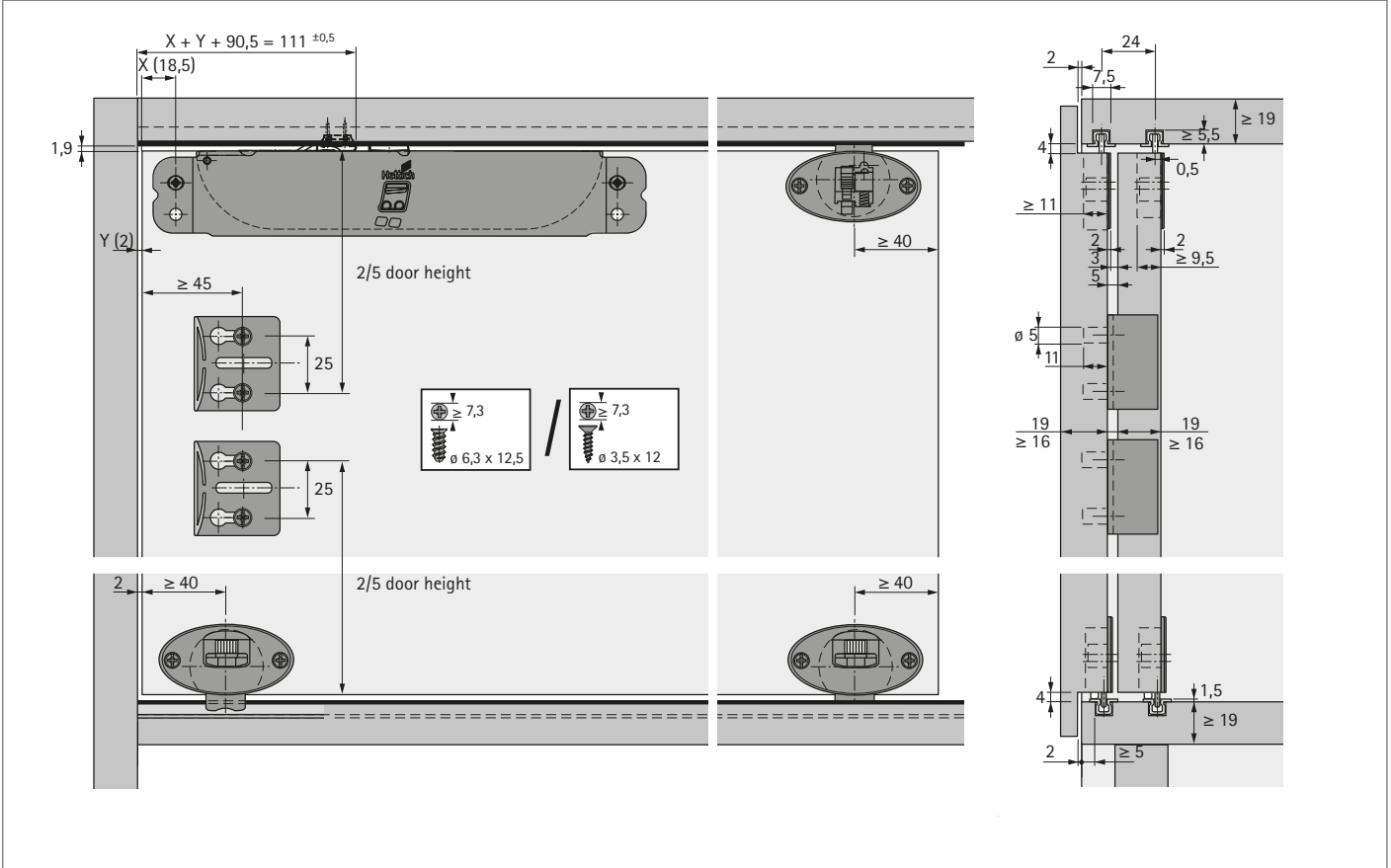


- ▶ SlideLine 55 Plus / overlay and inset door position
- ▶ Performance summary

Operating principle / SlideLine 55 Plus with Silent System / inset door position



Operating principle / SlideLine 55 Plus with Silent System / overlay door position



- ▶ SlideLine 55 Plus / overlay and inset door position
- ▶ System components

Runner component for screwing on for cabinets with 2 inset doors



- ▶ 2 running components must be fitted per door
- ▶ Tool-less height adjustment ± 1.5 mm
- ▶ Plastic, grey

Order no.	PU
9 115 219	1/100 ea.

Running component for screwing on, for cabinets with 1 overlay (rebated) door and 1 inset door



- ▶ 2 running components must be fitted per door
- ▶ Tool-less height adjustment ± 1.5 mm
- ▶ Plastic, grey

Order no.	PU
9 115 954	1/100 ea.

Guide component for screwing on for cabinets with 2 inset doors



- ▶ 2 guide components must be fitted per door
- ▶ With spring-loaded bolt and latch
- ▶ Plastic, grey

Order no.	PU
9 115 217	1/100 ea.

Guide component for screwing on, for cabinets with 1 overlay (rebated) door and 1 inset door



- ▶ 2 guide components must be fitted per door
- ▶ With spring-loaded bolt and latch
- ▶ Plastic, grey

Order no.	PU
9 115 955	1/100 ea.

Sliding door system / bottom running

- ▶ SlideLine 55 Plus / overlay and inset door position
- ▶ System components

Silent System for screwing onto inset doors



- ▶ Suitable for inset wooden doors
- ▶ Installed position: left or right
- ▶ Minimum door width with soft closing element: 400 mm
- ▶ Minimum door width with soft closing and soft opening: 550 mm
- ▶ Housing: metal, galvanised
- ▶ Interior: plastic, grey

Version	Order no.	PU
left	9 119 584	1/30 ea.
right	9 119 585	1/30 ea.

Silent System for screwing onto overlay (rebated) doors



- ▶ Suitable for overlay (rebated) wooden doors
- ▶ Installed position: left or right
- ▶ Minimum door width with soft closing element: 400 mm
- ▶ Minimum door width with soft closing and soft opening: 550 mm
- ▶ Housing: metal, galvanised
- ▶ Interior: plastic, grey

Version	Order no.	PU
left	9 119 587	1/30 ea.
right	9 119 586	1/30 ea.

Activator for Silent System



- ▶ Can be used for left and right-hand door
- ▶ 1 activator must be fitted per soft-close mechanism
- ▶ Attached by means of premounted nails
- ▶ Plastic, grey

Order no.	PU
9 118 477	1/300 ea.

Positioning aid



- ▶ For installing the activator in the top runner profile
- ▶ Galvanised steel

Order no.	PU
9 136 109	1 ea.

- ▶ SlideLine 55 Plus / overlay and inset door position
- ▶ System components

Runner and guide profiles



- ▶ 4 profiles must be fitted on a 2-door cabinet
- ▶ Plastic profiles: max. door weight 15 kg
- ▶ Aluminium profiles: max. door weight 30 kg

Advice:

- ▶ Customised lengths on request

Material	Surface finish / colour	Length mm	Order no.	PU
Plastic	white	4000	0 025 120	1/30 ea.
Plastic	brown	4000	0 025 121	1/30 ea.
Plastic	grey	4000	0 061 546	1/30 ea.
Aluminium	silver Anodized	4000	1 079 090	1/4 ea.

Screw on door stop / spacer



- ▶ 1 door application / spacer required for 2-door cabinet with a door height <1,000 mm
- ▶ 2 door stops / spacers are required for a 2-door with a door height >1,000 mm
- ▶ Plastic, grey

Order no.	PU
9 115 216	1/100 ea.

Stay closed function

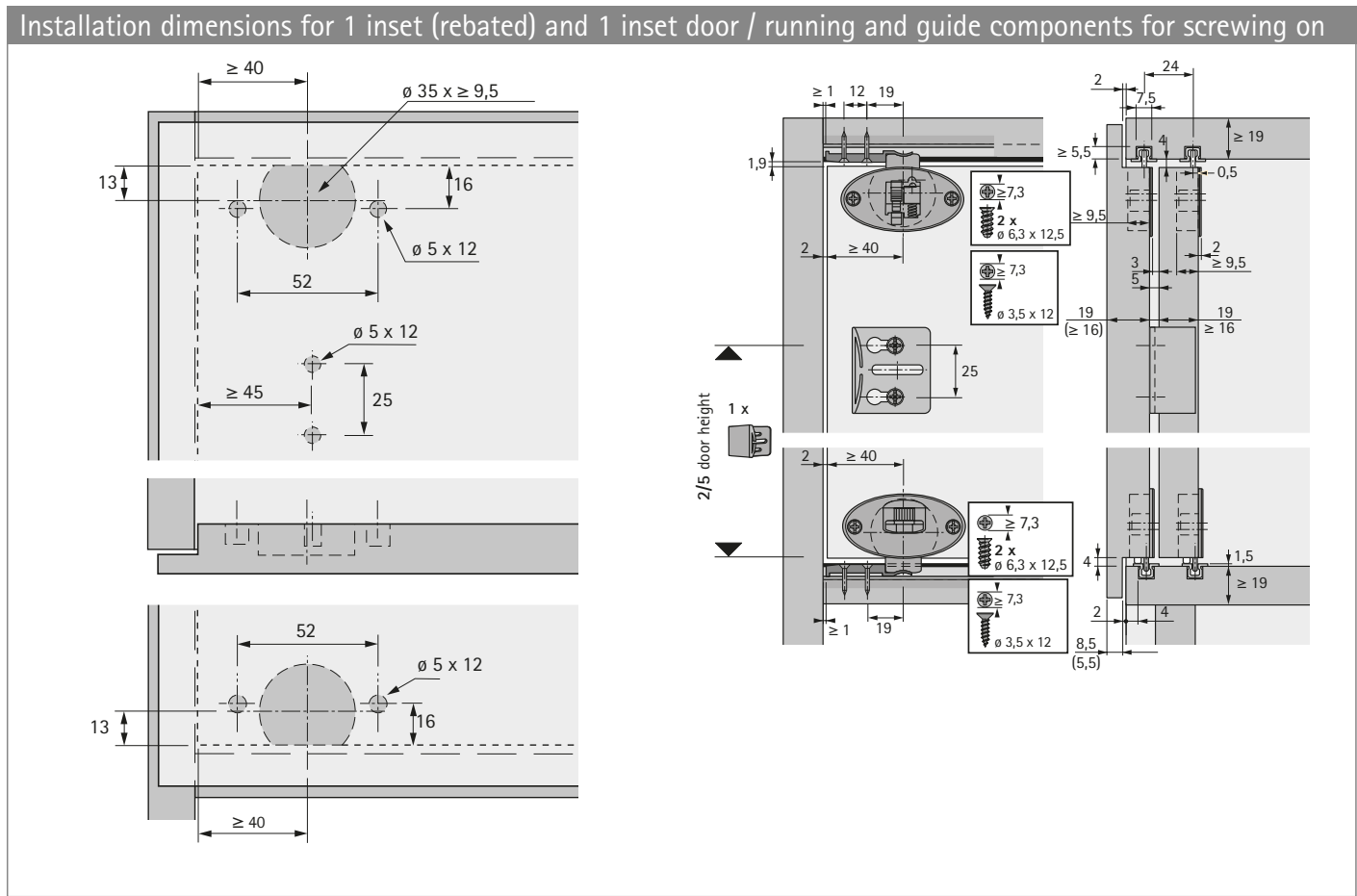
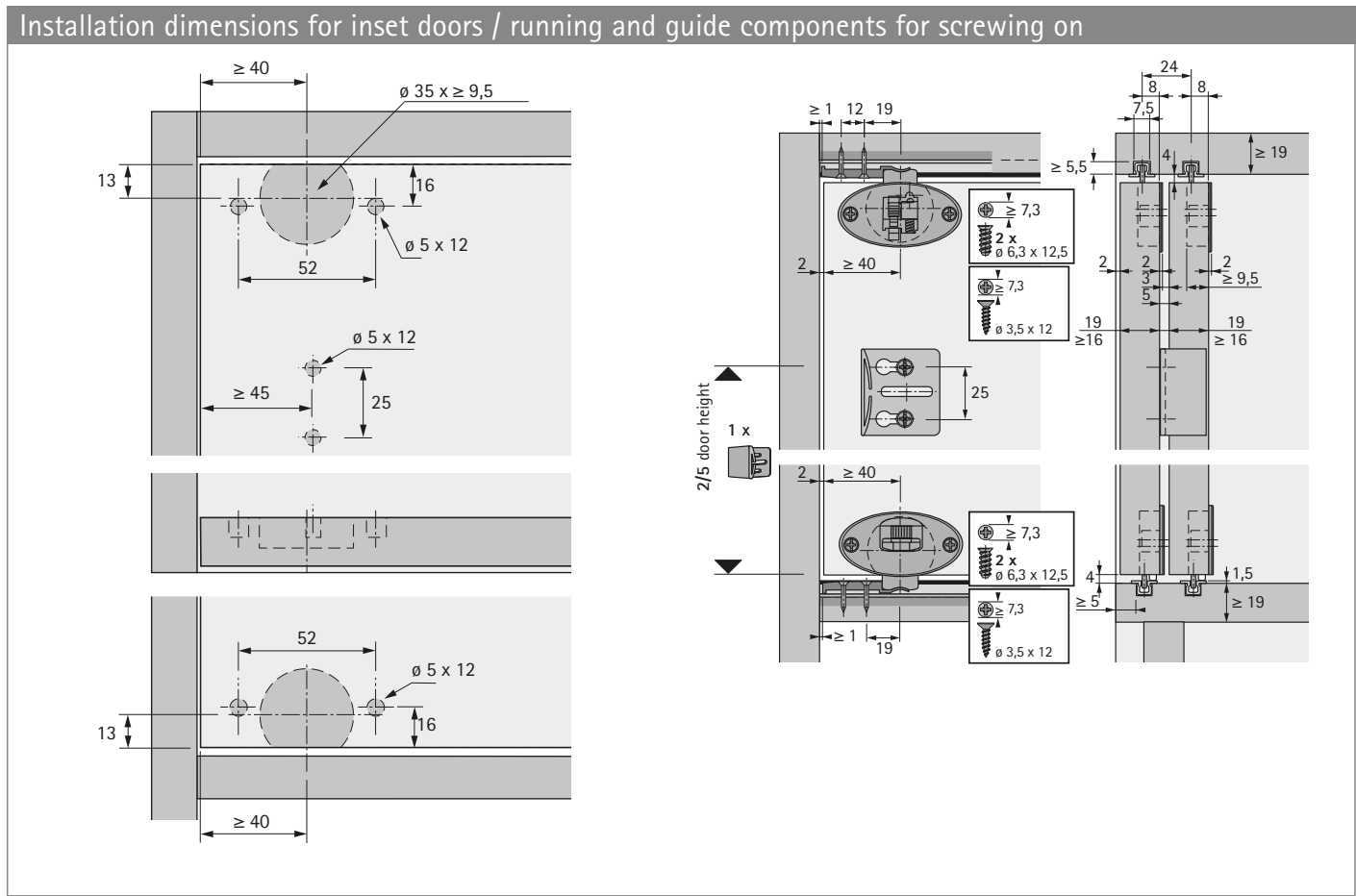


- ▶ Can be used for left and right-hand door
- ▶ 2 stay closed functions must be fitted per door
- ▶ Stay closed function is not required when using Silent System
- ▶ Attached by means of premounted nails
- ▶ Plastic, grey

Order no.	PU
9 115 218	1/100 ea.

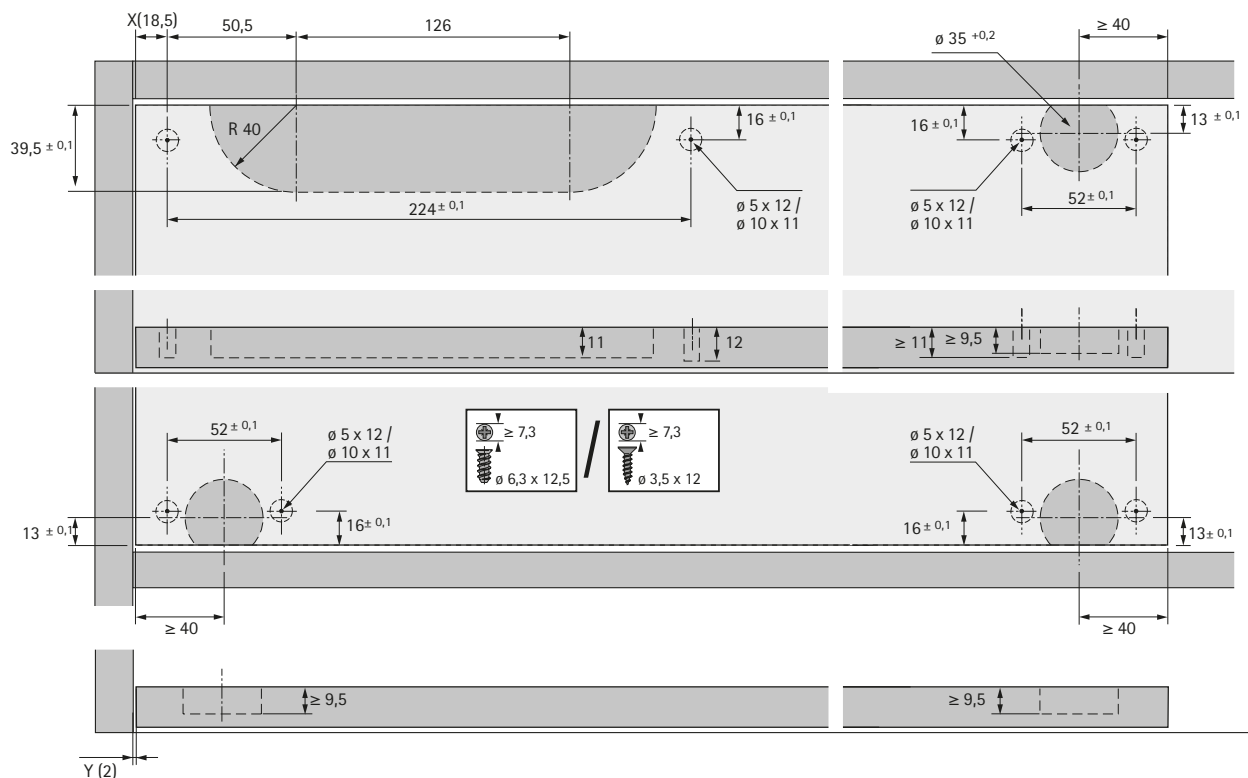
Sliding door system / bottom running

- ▶ SlideLine 55 Plus / overlay and inset door position
- ▶ Planning dimensions

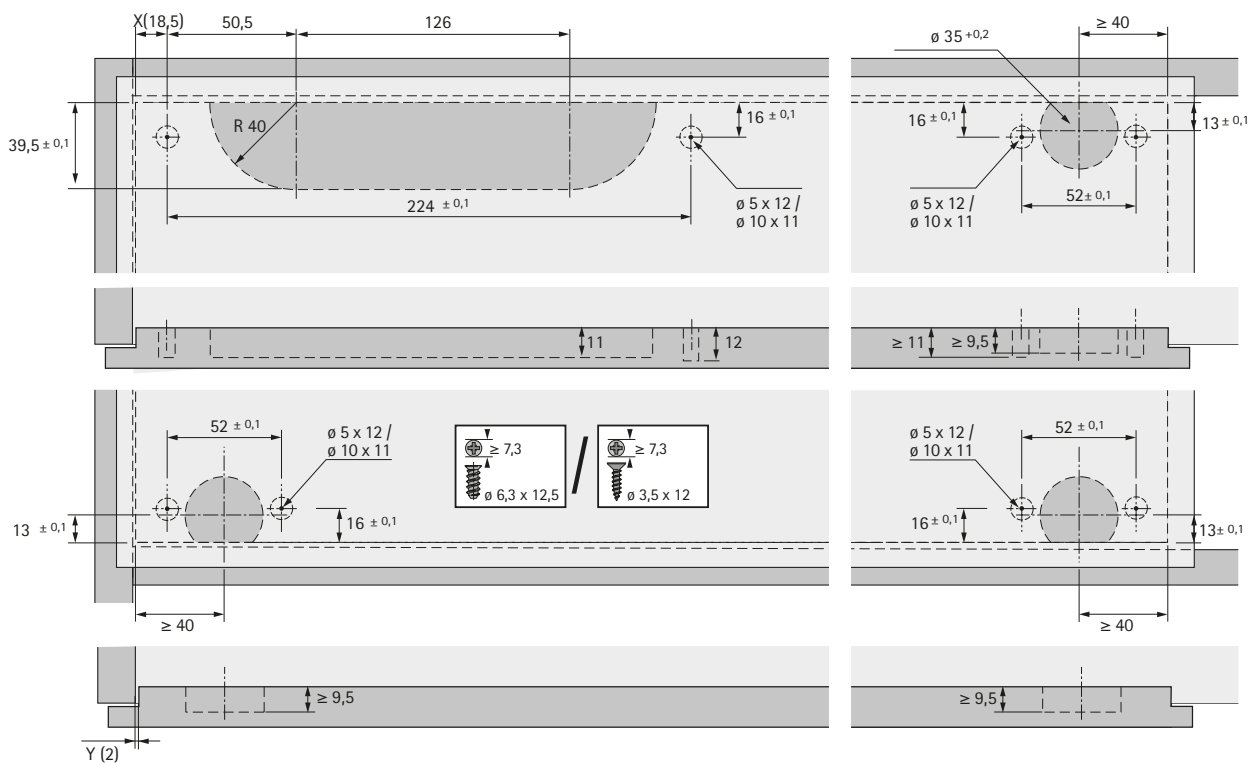


- ▶ SlideLine 55 Plus / overlay and inset door position
- ▶ Planning dimensions

Installation dimensions for 2 inset doors with Silent System



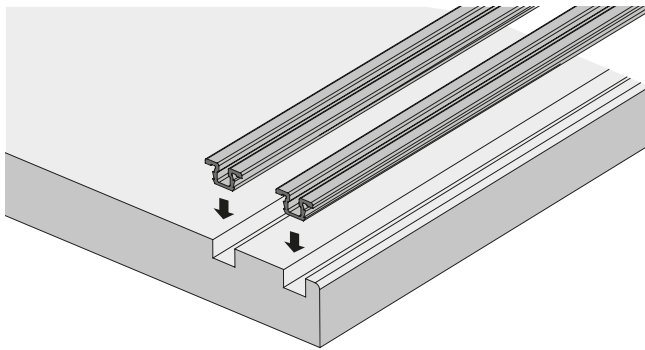
Installation dimensions for 1 overlay (rebated) and 1 inset door with Silent System



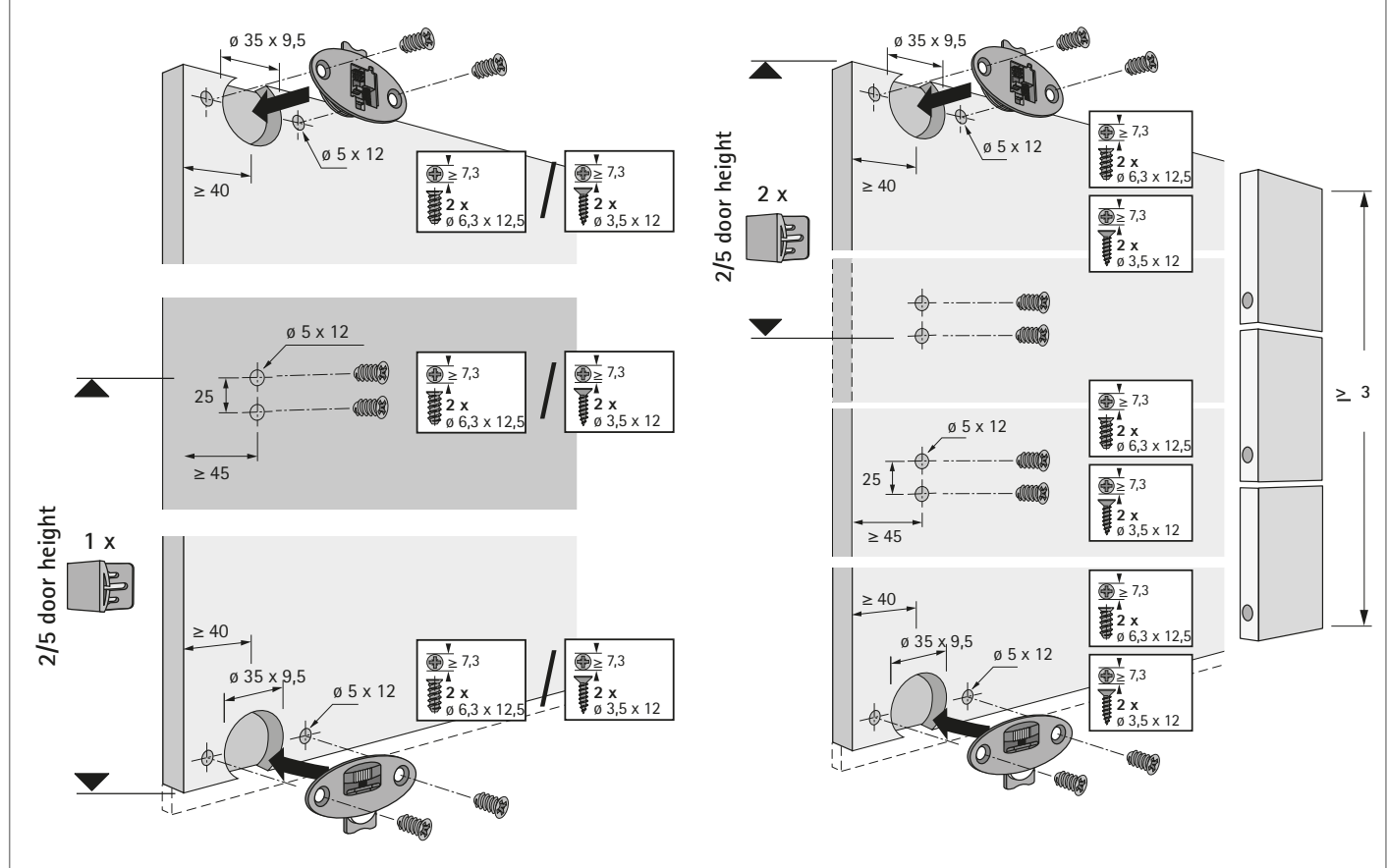
Sliding door system / bottom running

- ▶ SlideLine 55 Plus / overlay and inset door position
- ▶ Installation

Installation runner and guide profile



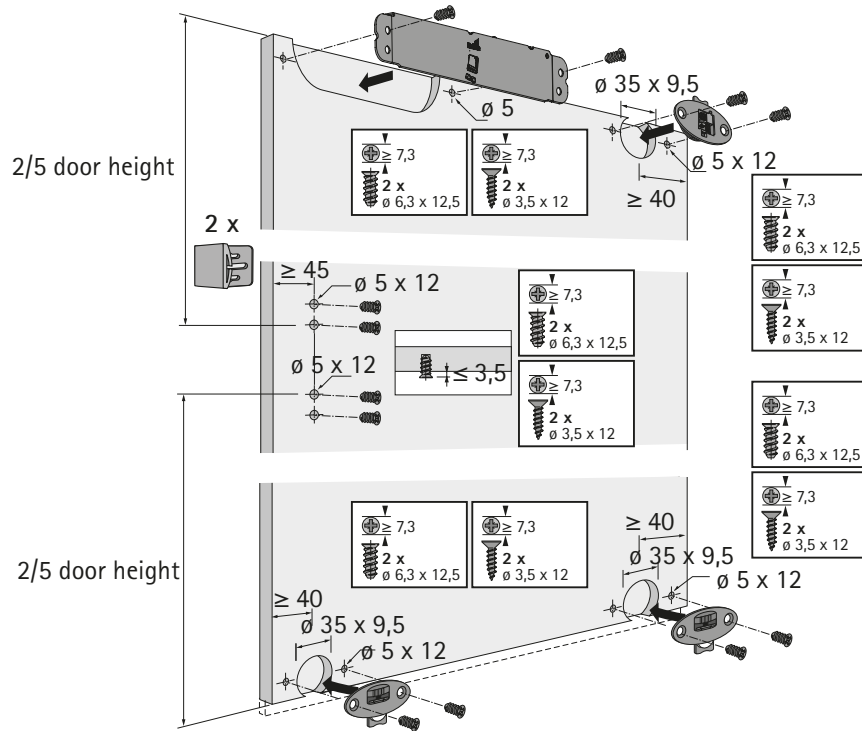
Installing running and guide components for screwing on



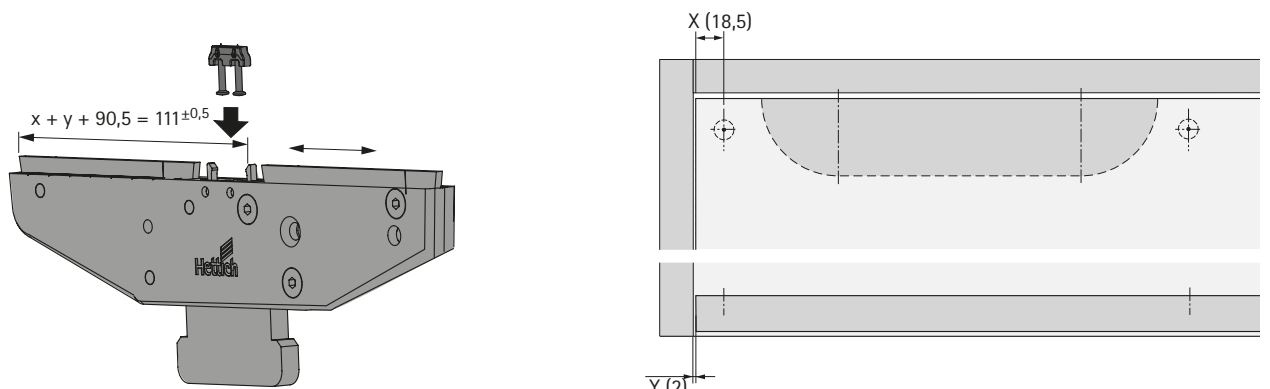
Sliding door system / bottom running

- ▶ SlideLine 55 Plus / overlay and inset door position
- ▶ Installation

Installing running and guide components with Silent System for screwing on



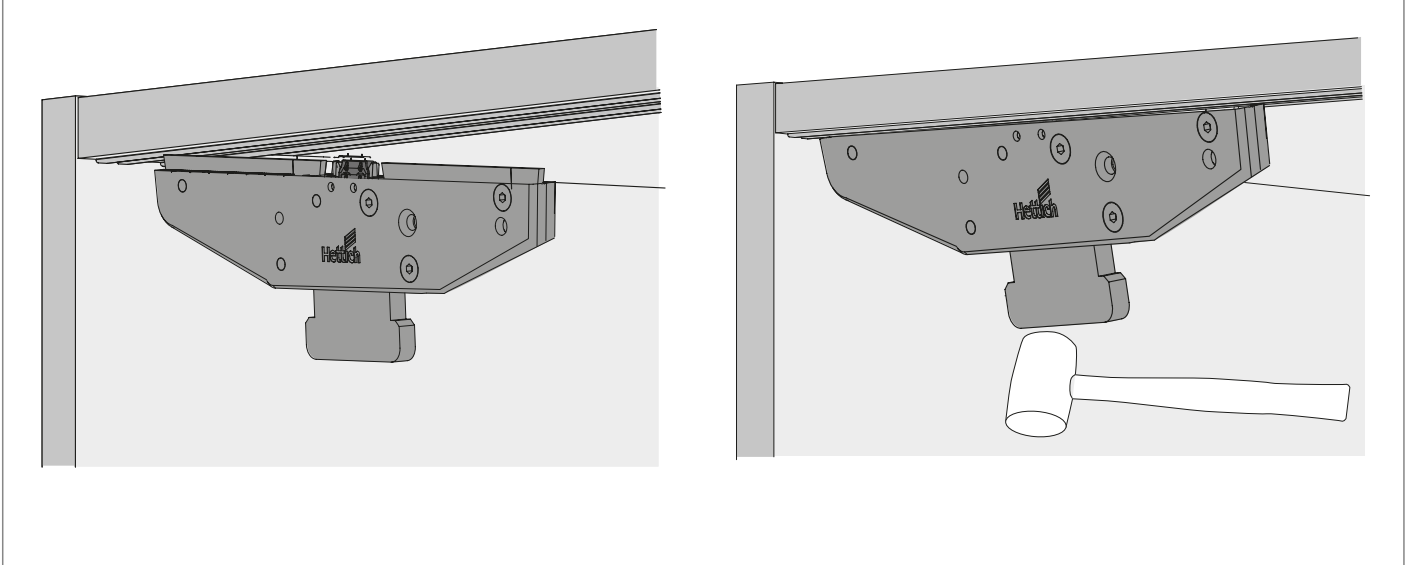
Positioning the activator for Silent System



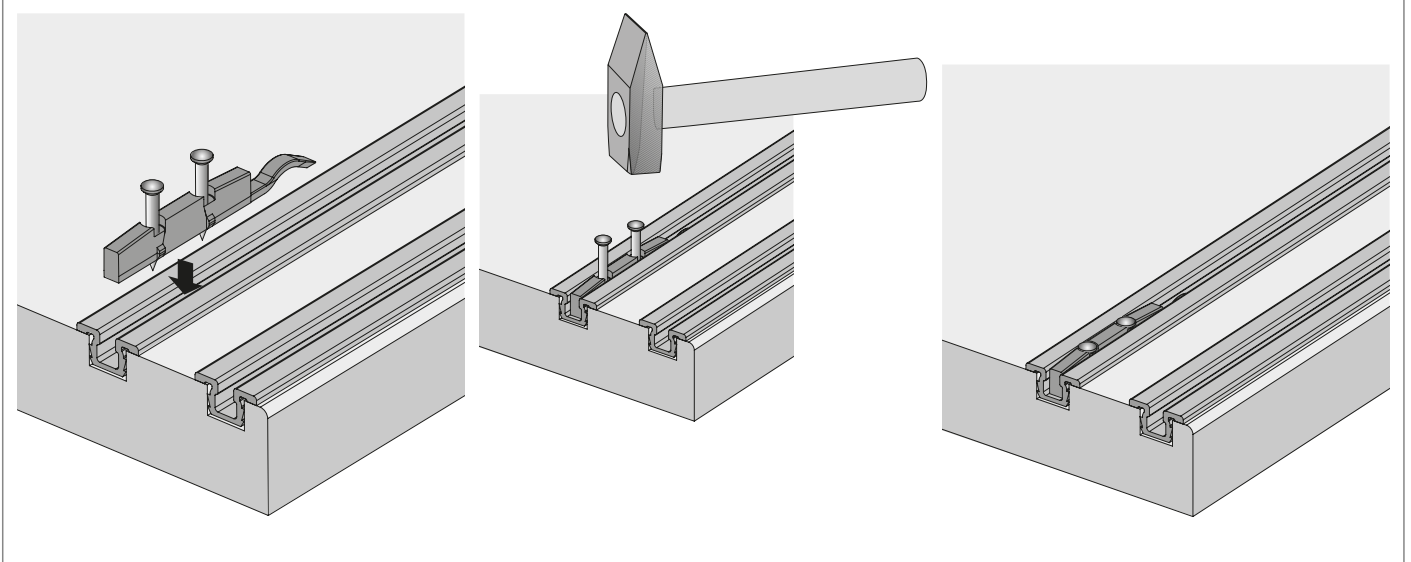
Sliding door system / bottom running

- ▶ SlideLine 55 Plus / overlay and inset door position
- ▶ Installation

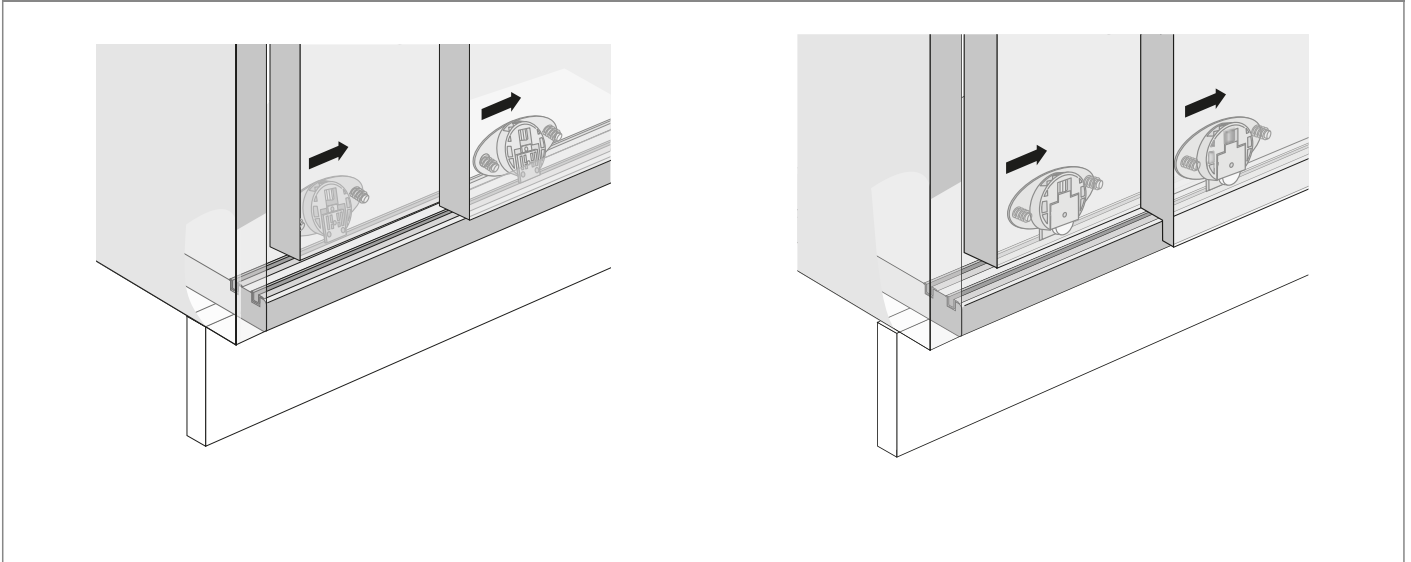
Fitting the Silent System activator



Installing end stops



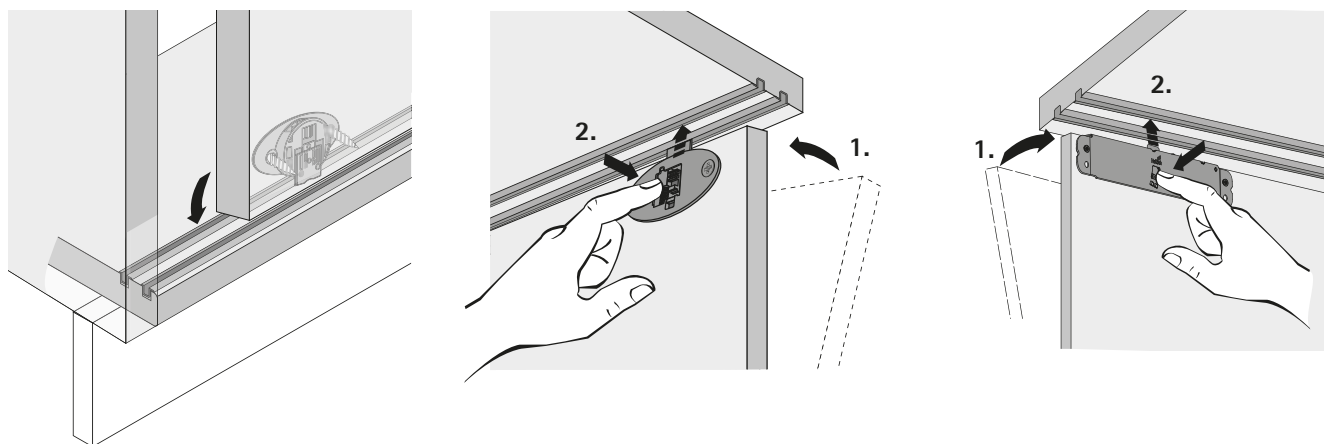
Inset / overlay doors



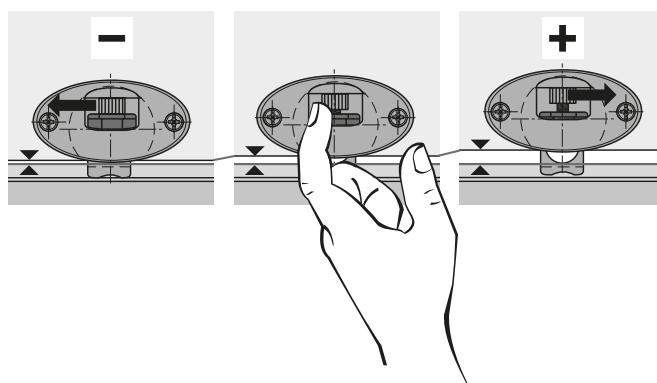
Sliding door system / bottom running

- ▶ SlideLine 55 Plus / overlay and inset door position
- ▶ Installation

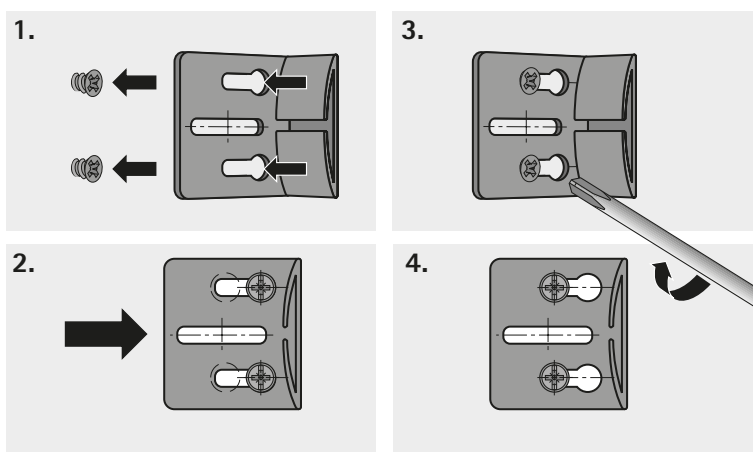
Installing door



Height adjustment



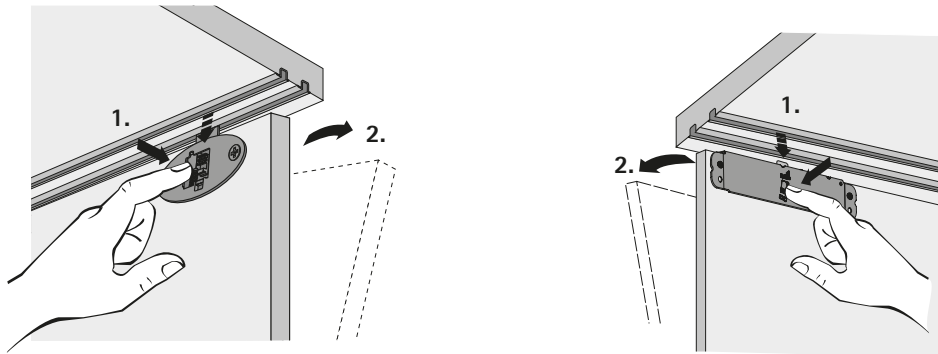
Installing spacer



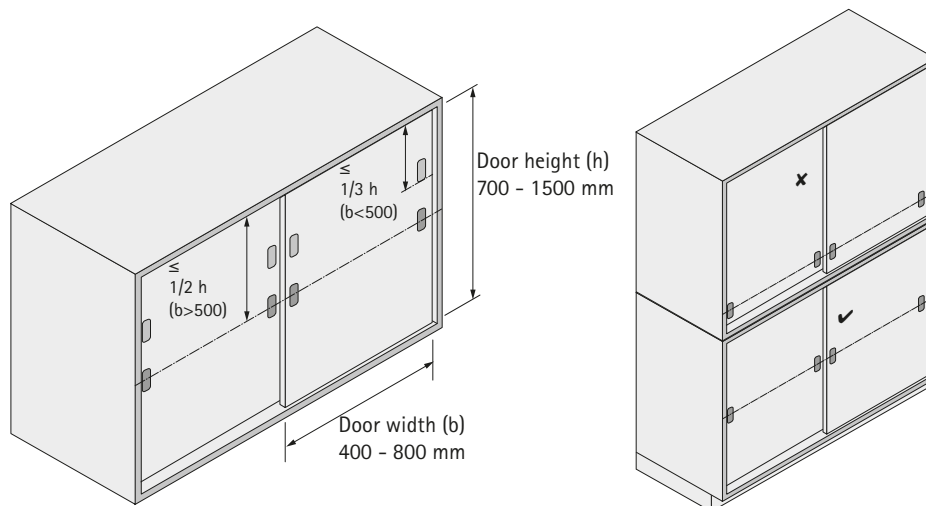
Sliding door system / bottom running

- ▶ SlideLine 55 Plus / overlay and inset door position
- ▶ Installation

Removing door



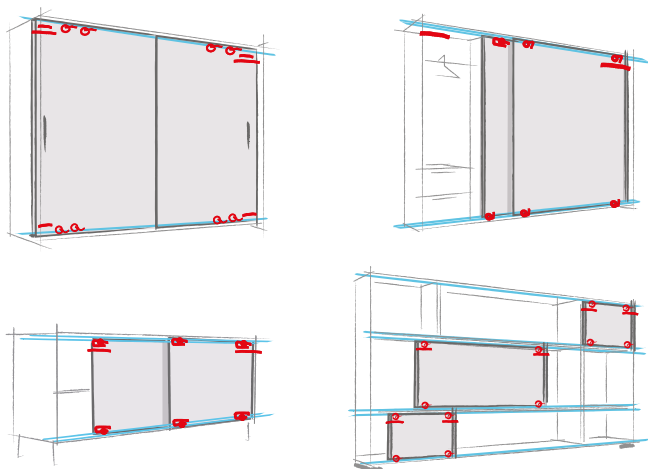
Positioning of handles



Sliding door systems

- ▶ Technical Information
- ▶ Design advice

Always the best system



Hettich sliding door systems give you the ideal solution to meet any consumer demand, because Hettich offers you numerous system options. Each design provides its own particular benefits and creative impact on the piece of furniture. Take advantage of Hettich sliding door systems for all cabinets and shelf units. We are now going to give you a brief introduction to the various systems, so you can quickly find the main criteria for selecting the right sliding door system.

Option 1: 1-track or multi-track sliding doors



1-track sliding doors do not close off furniture completely. The door only conceals individual furniture segments and can be pushed to the side. Typical application: the living room combination in which the TV set disappears behind the sliding door after use.

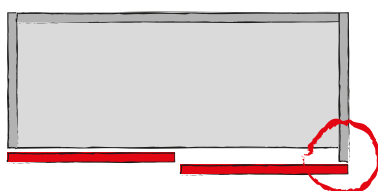


Multi-track sliding doors can close off the entire furniture carcass. At least two doors run in profiles installed one behind the other. Ideal for office cabinets, wardrobes and pantry units: the closed doors conceal the cabinet's entire contents, creating a neat and tidy look in a matter of seconds.



Flush fitted sliding doors are a special innovative type that also close off the complete carcass. The closed cabinet front panel forms an absolutely flat surface, reducing reveals to a minimum. An option for the most exacting demands on design. The doors run in a single track; on opening, however, a special mechanism automatically allows them to run one behind the other.

Option 2: overlay or inset sliding doors



Overlay sliding doors conceal – viewed from the front – the carcass side, the top panel and bottom panel. This makes the front panels the dominant design element of a piece of furniture. Please note: for furniture designed with two doors, the two carcass sides must be produced in different depths.

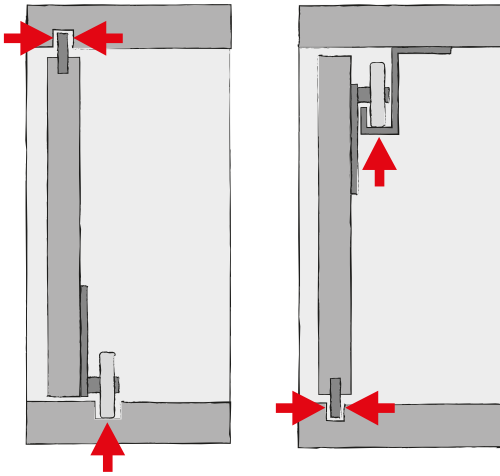


Inset sliding doors, in contrast, move between the carcass sides, the top panel and the bottom panel. The carcass elements are visible from the front, also influencing the design of furniture. The carcass sides are of identical depth.

Sliding door systems

- ▶ Technical Information
- ▶ Design advice

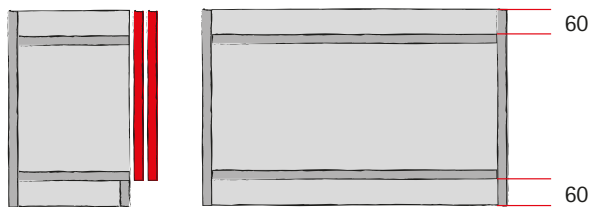
Option 3: bottom running or top running sliding doors



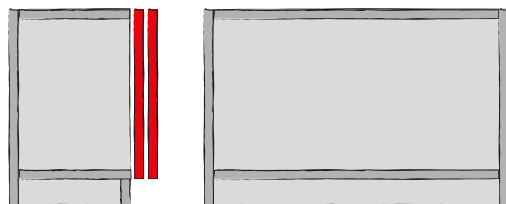
Bottom running sliding doors stand on rollers along their bottom edge and are stabilised by a guide at the top edge of the door. Given the uncomplicated carcass construction, predominantly low door weights and straightforward installation, bottom running doors are seen as the optimum gateway to constructing sliding door cabinets.

Top running sliding doors are suspended from the top panel. A guide at the bottom panel prevents the doors from wobbling. The fitting components can be positioned unobtrusively at the top and bottom panel – for furniture designed with a look of harmony. Top running sliding doors are ideal for heavy doors, e.g. in large wardrobes.

Option 4: installing sliding doors on or in front of the top panel

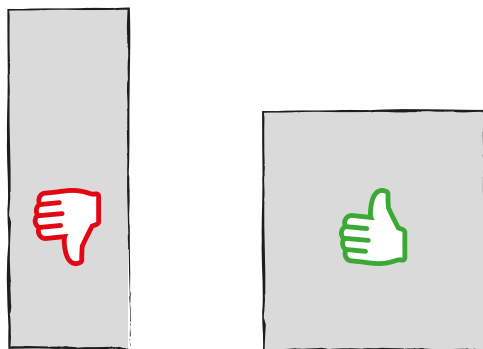


With a simple trick, the fitting technology can be installed largely **out of view on the top panel**: the top panel is lowered by 60 mm. Proviso: the piece of furniture is a tall cabinet with a top panel that is positioned out of sight.



On low cabinets, the top panel is always visible. In this case, carcass and top panel are conventionally mounted at right angles and the fitting technology is either attached **in front of or in the top or bottom panel**. The doors close flush at the top – a neat looking solution. Incidentally: the cabinet here is designed in the same way as hinged door cabinets. Benefit: subsequent conversion from hinged door to sliding door system can be done with little effort.

Option 5: sliding door format and material

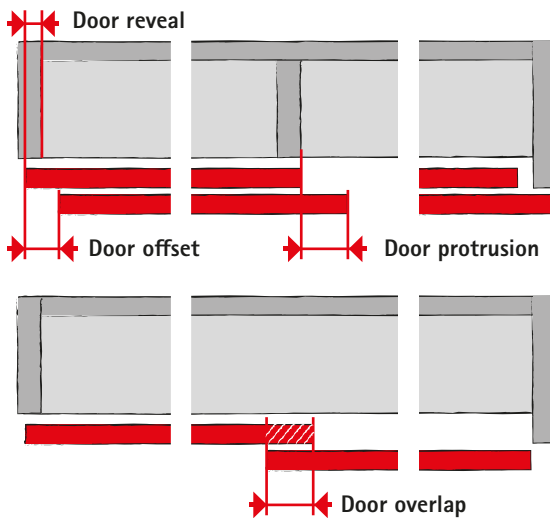


Key to selecting the appropriate system: format and material of the sliding door. In terms of format, bear in mind that wider doors run far more stably than narrow, tall sliding doors. Rule of thumb: the sliding door width should be at least half the height of the door.

Sliding door systems

- ▶ Technical Information
- ▶ Design advice

Definition of important dimensions



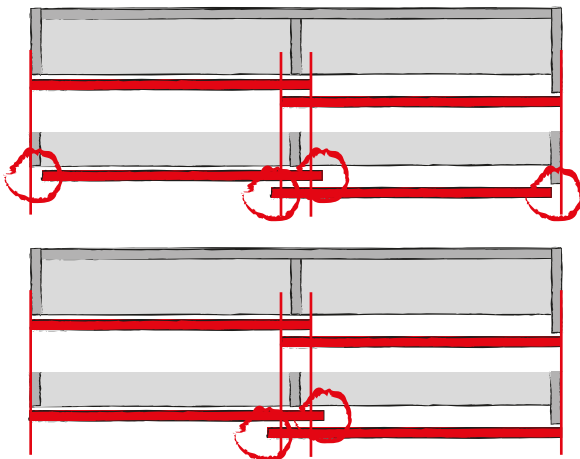
The **door reveal** is the extent to which the door overlaps the carcass side.

The **door protrusion** is the measure of opened door offset to the centre panel.

The **door offset** prevents the forward door from knocking against the handle on the rear door.

Door overlap is the surface of the rear most door that is permanently covered by the front most door. The overlap should be approx. twice as large as the gap between front most door and rear most door to avoid being able to see inside the cabinet through the gap. On aluminium framed doors, frame width is often taken as the overlap. This positions the upright frame sections of the front most door and rear most door exactly in front of one another down the middle of the cabinet.

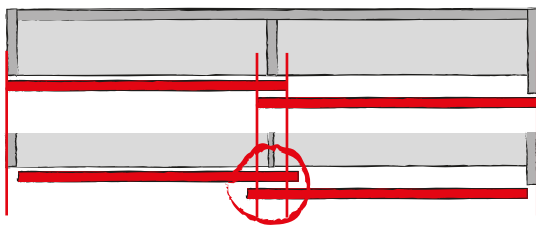
Door reveal as a variable influencing door protrusion



Reducing the door reveal increases the door protrusion on doors of identical width.

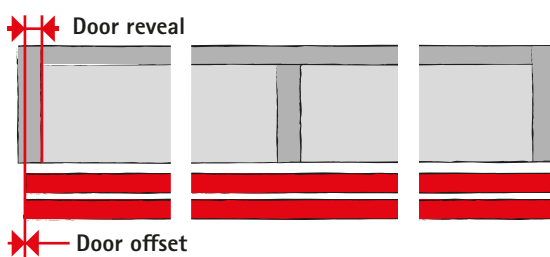
Increasing the door overlap on account of a larger door increases the door protrusion.

The centre panel as a variable influencing door protrusion



A thinner centre panel increases the door protrusion on doors of identical width.

Design with flush opening doors



The rear door must produce the same door reveal as the forward door. It must be noted here that this requires the use of special profiles.

Sliding door system

- ▶ Technical information
- ▶ Quality criteria

Quality that meets all the demands

The quality of the sliding door systems is monitored continuously. Hettich fittings comply with the national and international quality standards of the markets our customers operate in. The diagrams below show some of the tests to which Hettich fittings are subjected.

Load capacity

The values stated in the catalogue for Hettich sliding door systems comprise the permissible total weight of the door in combination with the permitted door sizes. All Hettich sliding door systems pass the overload test to EN 15706¹. The sliding door systems are suitable for furniture to EN 14749 when processed correctly as specified in the catalogue.

Corrosion test

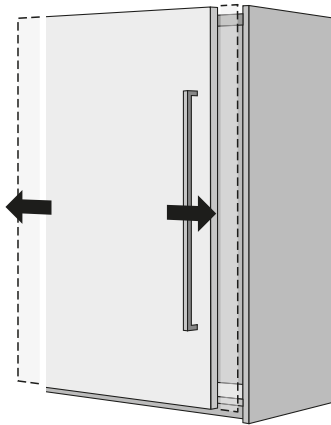
Hettich sliding door systems satisfy the requirements on corrosion defined in EN 15706, 72-hour condensation-water test to EN 6270.

¹ TopLine 1200 / 1210 / 1230 meets the requirements of ANSI / BHMA

Endurance test

The door must withstand a defined number of opening and closing cycles at a defined speed.

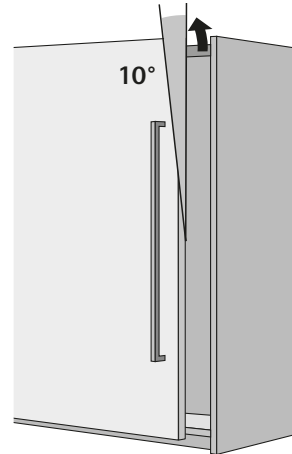
- Level 1: 10,000 cycles
- Level 2: 20,000 cycles
- Level 3: 40,000 cycles



Lift off guard

The door is pulled up and forwards at an angle with a defined force and must not become detached or fall out of the cabinet

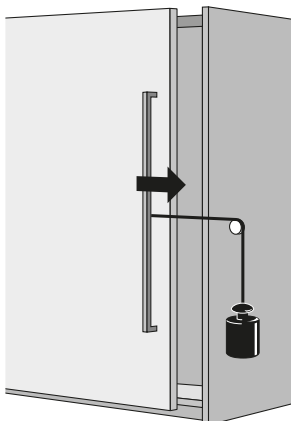
- Level 1: 150 N
- Level 2: 200 N
- Level 3: 250 N



Closing test

The door must withstand a specific number of closing cycles under a defined tensile load.

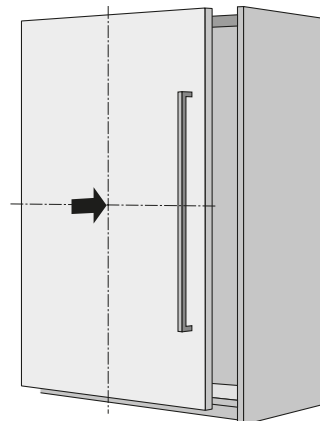
- Level 1: 2 kg
- Level 2: 3 kg
- Level 3: 4 kg



Horizontal safety test

Pressure is applied to the middle of the door with a defined force. The door must not become detached or fall out of the carcass.

- Level 1: 150 N
- Level 2: 200 N
- Level 3: 250 N



Folding door system

► Range summary / technical comparison

	WingLine L	WingLine 230	WingLine 26
			
Page	86 – 87	108 – 109	116 – 117
Description	Side mounted folding door system with guide profile at top / bottom	Side mounted folding door system with guide profile at top for large-size doors	Side mounted folding door system with guide profile at top / bottom (optional)
Number of door wings	2	2	2
Door wing weight	25 kg max.	20 - 25 kg	depends on hinges
Side mounting	Yes	Yes	Yes
Door material	Wood	Wood	Wood
Door wing width mm	600 mm max.	600 mm max.	250 mm max.
Door wing height mm	2400 mm max.	3000 mm max.	1800 mm max. (2200 mm max. with lower guide)
Push / Pull to move, Pull to move Silent	Yes	No	

Folding door system

► Range summary / technical comparison

Wing 77	
124 – 125	
Folding door system without side mounting, with guide profile at top / bottom, for folding doors that move freely in front of the carcass	
2 or 4	
25 kg max. for 2 door wings, 20 kg max. for 4 door wings	
No	
Wood	
500 mm max. for 2 door wings, 400 mm max. for 4 door wings	
2400 mm max.	
No	

Folding door system

- ▶ WingLine L / attached to the side
- ▶ All the benefits at a glance



Experiencing folding doors in a new way. WingLine L lets you produce folding sliding doors in a completely new dimension of convenience. The revolutionary Push / Pull to move opening mechanism provides access to everything inside the cabinet with just one movement of the hand. An impressive panorama effect! Further highlights:

optimised running performance, soft opening and closing, tool-less installation as well as minimal door protrusion for efficiently organising the space inside. WingLine L competently and securely moves door wings weighing up to 25 kg and measuring up to 2,400 mm in height: a talented all rounder for the bedroom, kitchen and office.



Panorama convenience: access to 6m² of cabinet content, leaving everything in perfect view.



For easy and gentle opening: Push / Pull to move module first class practical convenience.



Optimum use of space: minimal door protrusion, with door reliably held in place while open.



Purist and convenient: no distracting profile on the bottom panel.



Handleless perfection: The door set opens all the way with just one push - from the Push to move module.



Impresses everywhere: WingLine L is suitable for all commonly used door wing formats.



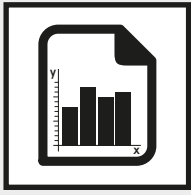
Impressive running performance: as smooth as never before and virtually silent.



Easy and cost effective: intelligent installation accessories for efficient one person installation.

Folding door system

- ▶ WingLine L / attached to the side
- ▶ Summary



Performance summary

88 – 89

- ▶ Technical details in brief
- ▶ Door sizes
- ▶ Operating principle



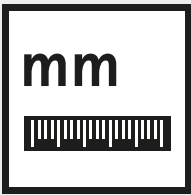
System summary

90 – 91



System components

92 – 98



Planning dimensions

99 – 102



Installation

103 – 107



Accessories

136



Technical information

- ▶ Calculating door weights
- ▶ Quality criteria

138 – 139

135

Folding door system

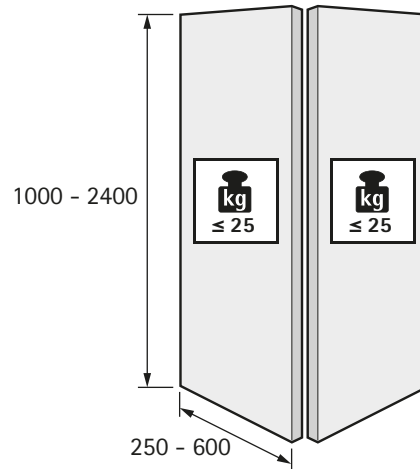


- ▶ WingLine L / attached to the side
- ▶ Performance summary

Technical details in brief

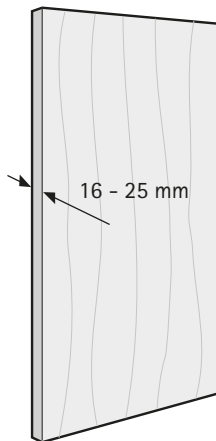
- ▶ For one folding door with 2 wings
- ▶ Overlay door position
- ▶ For wooden doors
- ▶ Push / Pull to move
- ▶ Suitable for use with Sensys hinge with Silent System
- ▶ Door wing weight up to 25 kg
- ▶ Door height up to 2400 mm
- ▶ Door wing width up to 600 mm
- ▶ Tested with 40000 cycles

Door format and door weight

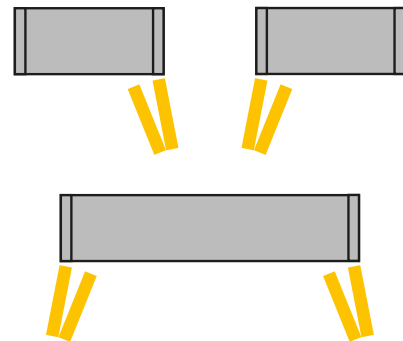


see pages 138 - 139

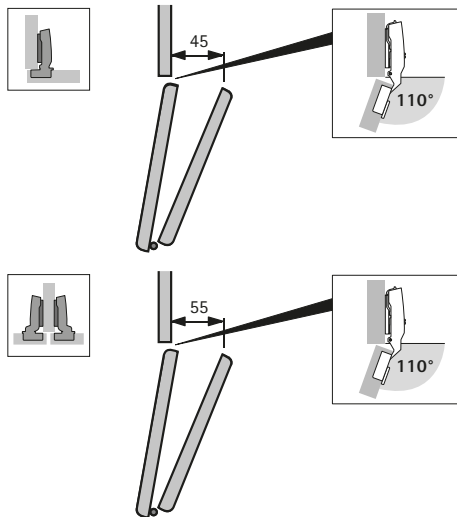
Door material



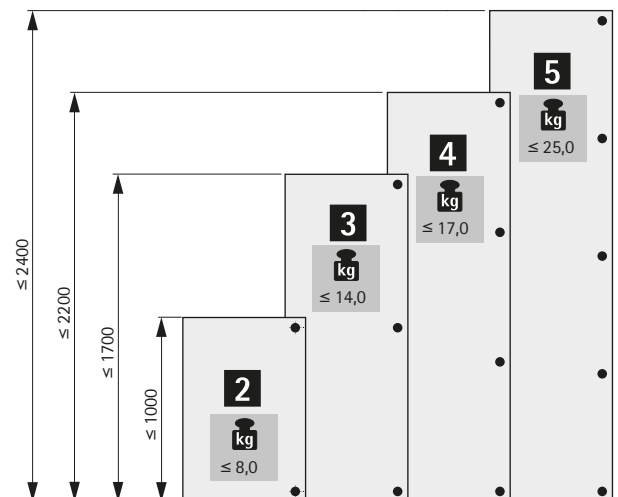
Number of door wings and door position



Door protrusion



Recommended number of carcass and folding door hinges

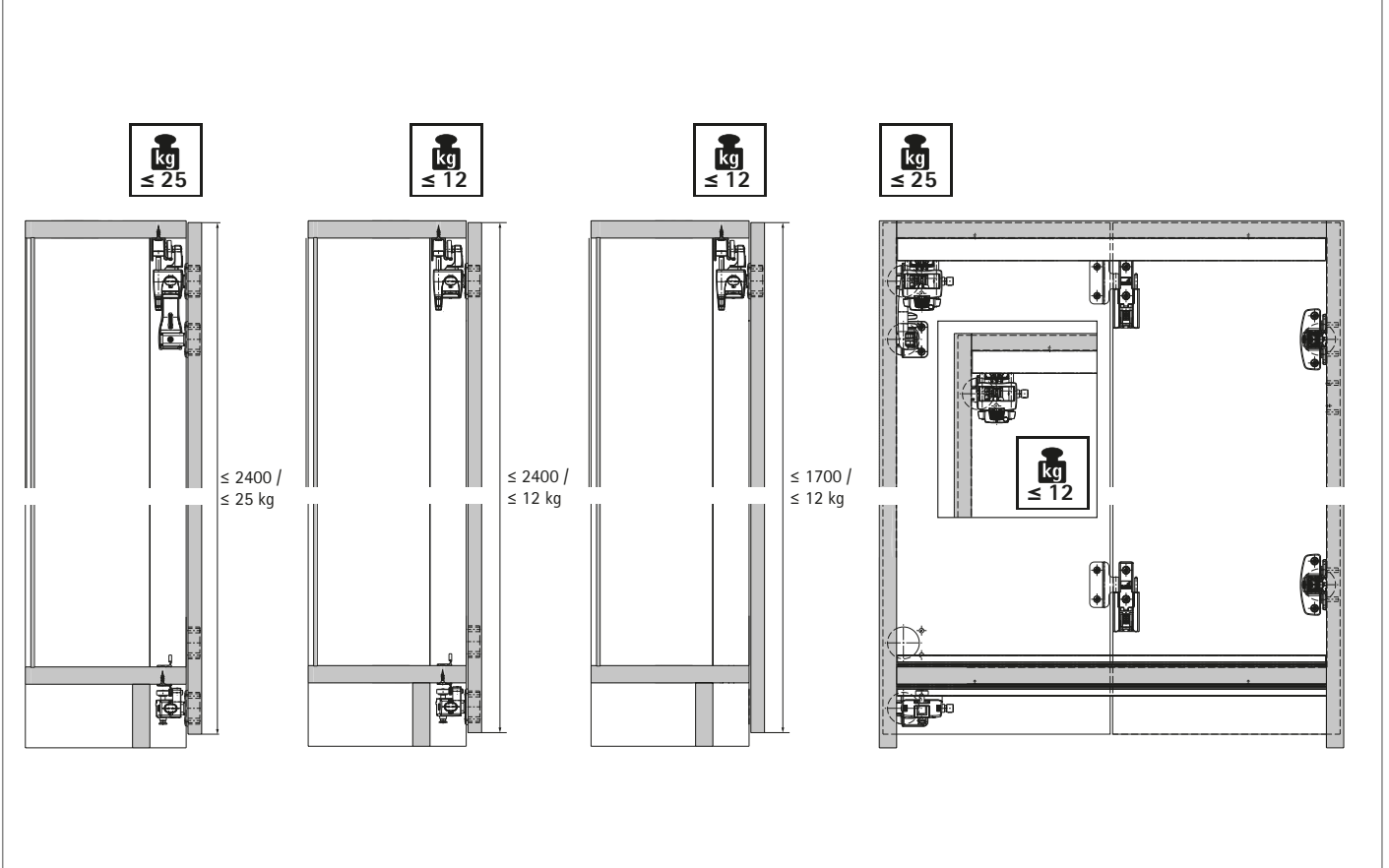


Folding door system

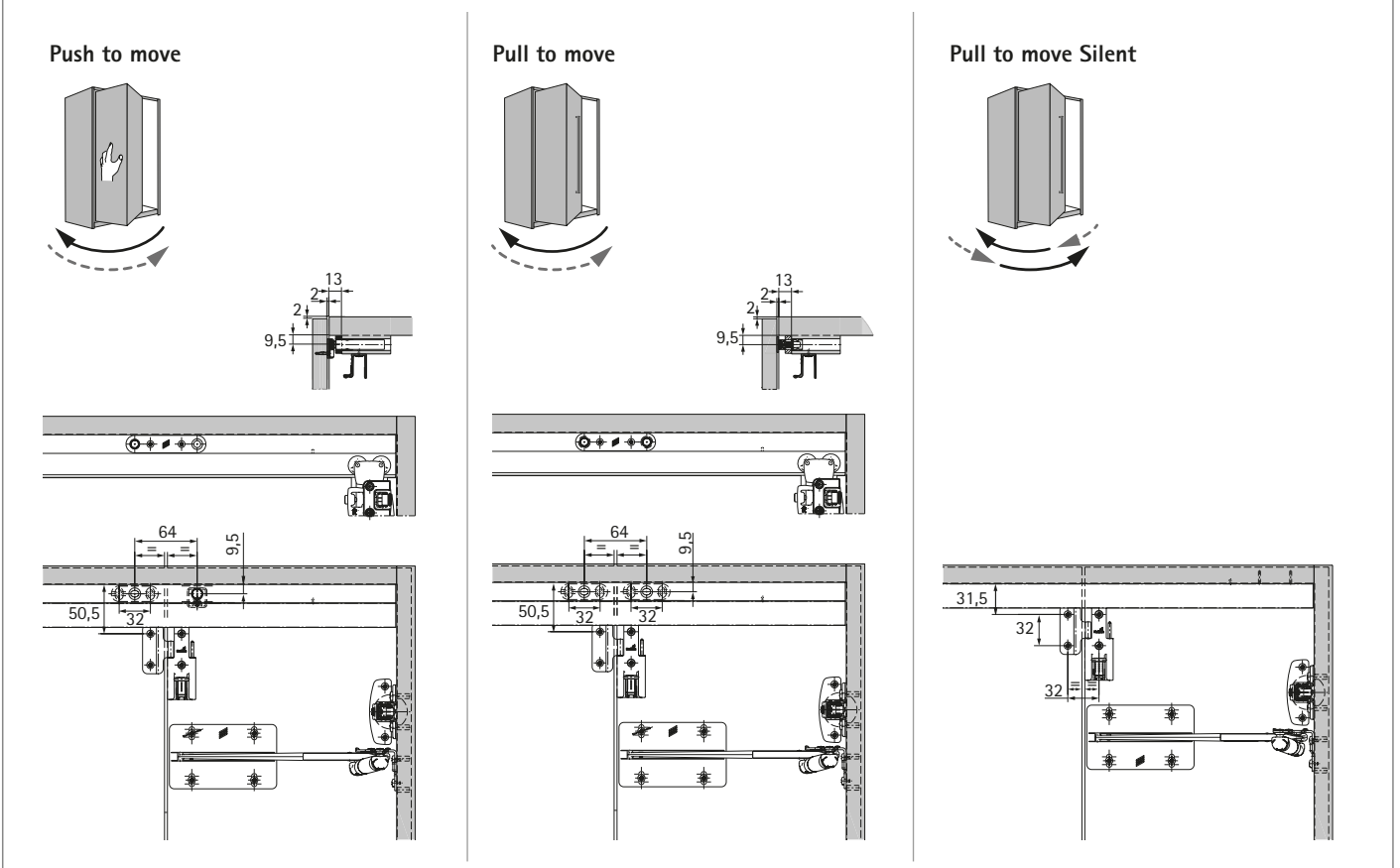
- ▶ WingLine L / attached to the side
- ▶ Performance summary



Operating principle / WingLine L



Operating principle / WingLine L with Push to move / Pull to move / Pull to move Silent



Folding door system

- ▶ WingLine L / attached to the side
- ▶ System summary

The new multifolder: WingLine L

Runner and guide profiles

- Runner profile
- Guide profile for installing on the plinth or under the plinth

Runners

- Tool-less fast installation
- Running component for door panel weight up to 25 kg
- Running component for door panel weight up to 12 kg

Guide component

- Tool-less fast installation
- Installation on the plinth
- Installation under the plinth

Intelligent installation accessories

- Profile installation
- Positioning centre hinges
- Positioning Push/Pull to move

Push to move/Pull to move

- Mechanical, soft opening of the door panel set
- 3 force options depending on door panel width and weight

Push to move

- Reliably keeps the door closed

Carcass hinges

- Sensys 110° or 95°, with or without self closing feature

Centre hinge

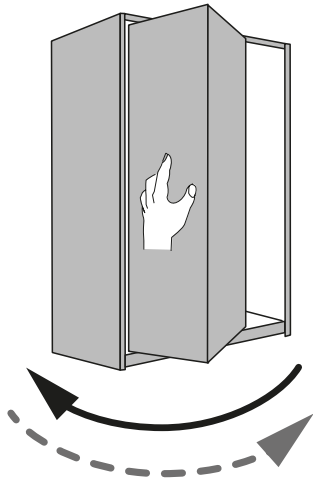
- 2 part
- Tool-less fast installation

Folding door system

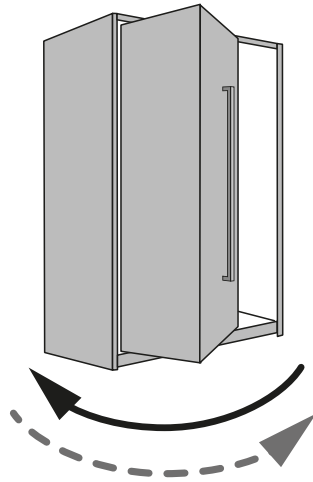
- ▶ WingLine L / attached to the side
- ▶ System summary

WingLine L with Push to move and Pull to move

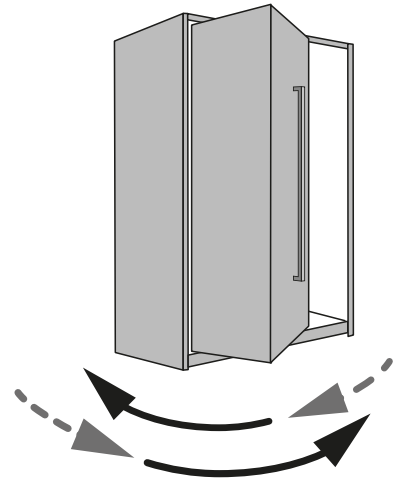
Pull to move and Push to move are two innovative and unique opening mechanisms for folding door systems. A slight pull on the handle or gentle push on the (handleless) front automatically opens the door all the way, taking it to the open position in a cushioned movement. A fascinating opening effect that works all mechanically! This means it requires neither cables nor any connection to the power supply.



Push to move
The door opens automatically in response to a light press on the front and is returned to the closed position by hand.



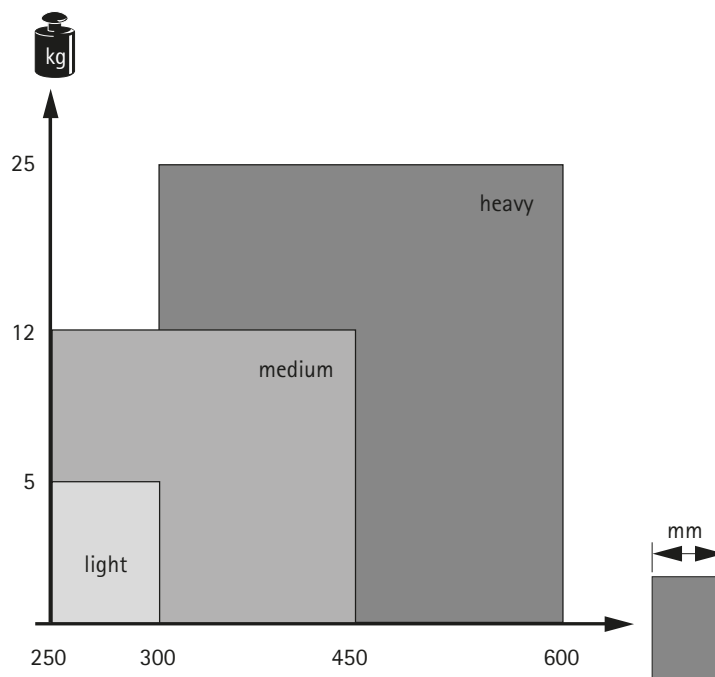
Pull to move
The door opens automatically from a 1° opening angle in response to a minimal pull on the handle and is returned to the closed position by hand.



Pull to move Silent
The door opens automatically from a 35° opening angle in response to a slight pull on the handle and is returned to the closed position in a cushioned movement.

Capacity classes

For Push to move and Pull to move to work perfectly in conjunction with every door size and weight, the modules are available in various capacity classes. Choose the right set for your particular application. A trial mounting is recommended!



- ▶ WingLine L / attached to the side
- ▶ System components

WingLine L set of fittings for max. door wing weight of 25 kg with self closing feature



- ▶ Set of fittings contains all the parts required for 1 folding sliding door with 2 wings
- ▶ Set of fittings can be used for standard folding door application without opening mechanism
- ▶ Set of fittings can be used in combination with Pull to move Silent
- ▶ Running and guide components with spring assisted self closing feature
- ▶ Running and guide components with tool-less fast installation function

Set comprises:

- ▶ 1 running component, 25 kg max, with self closing feature
- ▶ 1 guide component with self closing feature
- ▶ 4 folding door hinges
- ▶ 2 positioning aids for centre hinges
- ▶ 1 running component cover
- ▶ 2 door dampers
- ▶ 1 stay open element
- ▶ Fixing screws

Advice:

- ▶ Please order profiles separately
- ▶ Carcase hinges with self closing feature must be used with this set of fittings. Recommendation: Sensys 8645i opening angle 110°

Order no. / Hinge side of cabinet		PU
left	right	
9 237 852	9 237 890	1 set

WingLine L set of fittings for max. door wing weight of 25 kg without self closing feature



- ▶ Set of fittings contains all the parts required for 1 folding sliding door with 2 wings
- ▶ Set of fittings can only be used in combination with Pull to move and Push to move
- ▶ Running and guide components without spring assisted self closing feature
- ▶ Running and guide components with tool-less fast installation function

Set comprises:

- ▶ 1 running component, 25 kg max, without self closing feature
- ▶ 1 guide component without self closing feature
- ▶ 4 folding door hinges
- ▶ 2 positioning aids for centre hinges
- ▶ 1 running component cover
- ▶ 2 door dampers
- ▶ Fixing screws

Advice:

- ▶ Please order profiles separately
- ▶ Carcase hinges without self closing feature must be used with this set of fittings. Recommendation: Sensys 8675 opening angle 110°

Order no. / Hinge side of cabinet		PU
left	right	
9 237 880	9 237 881	1 set

- ▶ WingLine L / attached to the side
- ▶ System components

WingLine L set of fittings for max. door wing weight of 12 kg with self closing feature and bottom guide



- ▶ Set of fittings contains all the parts required for 1 folding sliding door with 2 wings
- ▶ Set of fittings can be used for standard folding door application without opening mechanism
- ▶ Set of fittings can be used in combination with Pull to move Silent
- ▶ Running and guide component with spring assisted self closing feature
- ▶ Running and guide component with fast installation function

Set comprises:

- ▶ 1 running component, 12 kg max, with self closing feature
- ▶ 1 guide component with self closing feature
- ▶ 4 folding door hinges
- ▶ 2 positioning aids for centre hinges
- ▶ 2 door dampers
- ▶ 1 stay open element
- ▶ Fixing screws

Advice:

- ▶ Please order profiles separately
- ▶ Carcase hinges with self closing feature must be used with this set of fittings. Recommendation: Sensys 8645i opening angle 110°

Order no. / Hinge side of cabinet		PU
left	right	
9 237 882	9 237 906	1 set

WingLine L set of fittings for max. door panel weight of 12 kg without self closing feature, with bottom guide



- ▶ Set of fittings contains all the parts required for 1 folding sliding door with 2 wings
- ▶ Set of fittings can only be used in combination with Pull to move and Push to move
- ▶ Running and guide components without spring assisted self closing feature
- ▶ Running and guide component with tool-less fast installation function

Set comprises:

- ▶ 1 running component, 12 kg max, without self closing feature
- ▶ 1 guide component without self closing feature
- ▶ 4 folding door hinges
- ▶ 2 positioning aids for centre hinges
- ▶ 2 door dampers
- ▶ Fixing screws

Advice:

- ▶ Please order profiles separately
- ▶ Carcase hinges without self closing feature must be used with this set of fittings. Recommendation: Sensys 8675 opening angle 110°

Order no. / Hinge side of cabinet		PU
left	right	
9 237 905	9 237 904	1 set

- ▶ WingLine L / attached to the side
- ▶ System components

WingLine L set of fittings for max. door panel weight of 12 kg with self closing feature, without bottom guide



- ▶ Set of fittings contains all the parts required for 1 folding sliding door with 2 wings
- ▶ Set of fittings can be used for standard folding door application without opening mechanism
- ▶ Set of fittings can be used in combination with Pull to move Silent
- ▶ Running component with spring assisted self closing feature
- ▶ Running component with fast installation function

Set comprises:

- ▶ 1 running component, 12 kg max, with self closing feature
- ▶ 3 folding door hinges
- ▶ 2 positioning aids for centre hinges
- ▶ 1 door damper
- ▶ 1 stay open element
- ▶ Fixing screws

Advice:

- ▶ Please order profiles separately
- ▶ Carcase hinges with self closing feature must be used with this set of fittings. Recommendation: Sensys 8645i opening angle 110°

Order no. / Hinge side of cabinet		PU
left	right	
9 237 903	9 237 902	1 set

WingLine L set of fittings for max. door wing weight of 12 kg without self closing feature, without bottom guide



- ▶ Set of fittings contains all the parts required for 1 folding sliding door with 2 wings
- ▶ Set of fittings can only be used in combination with Pull to move and Push to move
- ▶ Running component without spring assisted self closing feature
- ▶ Running component with fast installation function

Set comprises:

- ▶ 1 running component, 12 kg max, without self closing feature
- ▶ 3 folding door hinges
- ▶ 2 positioning aids for centre hinges
- ▶ 1 door damper
- ▶ Fixing screws

Advice:

- ▶ Please order profiles separately
- ▶ Carcase hinges without self closing feature must be used with this set of fittings. Recommendation: Sensys 8675 opening angle 110°

Order no. / Hinge side of cabinet		PU
left	right	
9 237 901	9 237 900	1 set

- ▶ WingLine L / attached to the side
- ▶ System components

Push to move



- ▶ Mechanism for automatic, soft opening of a door set by pressing on the handleless front
- ▶ Set contains all the parts required for opening a folding sliding door with 2 wings

Set comprises:

- ▶ 1 Push to move unit
- ▶ 1 support unit with 1 Push to open Pin and 1 magnet
- ▶ 1 magnetic counterplate
- ▶ 1 activator
- ▶ 1 door rail
- ▶ 1 positioning aid
- ▶ Fixing screws

Advice:

- ▶ Please order profiles and fittings separately
- ▶ Carcase hinges without self closing feature must be used in combination with Push to move. Recommendation: Sensys 8675, opening angle 110°

Version	Order no. / Hinge side of cabinet		PU
	left	right	
light	9 238 102	9 238 113	1 set
medium	9 238 051	9 238 101	1 set
heavy	9 238 052	9 238 053	1 set

Pull to move



- ▶ Mechanism for automatic, soft opening of a door set with minimal pull on the handle
- ▶ Set contains all the parts required for opening a folding sliding door with 2 wings

Set comprises:

- ▶ 1 Pull to move unit
- ▶ 1 support unit with 2 magnets
- ▶ 2 magnetic counterplates
- ▶ 1 door rail
- ▶ 1 positioning aid
- ▶ Fixing screws

Advice:

- ▶ Please order profiles and fittings separately
- ▶ Carcase hinges without self closing feature must be used in combination with Pull to move. Recommendation: Sensys 8675, opening angle 110°

Version	Order no. / Hinge side of cabinet		PU
	left	right	
light	9 238 117	9 238 118	1 set
medium	9 238 115	9 238 116	1 set
heavy	9 238 125	9 238 114	1 set

Folding door system

- ▶ WingLine L / attached to the side
- ▶ System components

Pull to move Silent



- ▶ Mechanism for automatic, soft opening of a door set with a light pull on the handle
- ▶ Silent and soft closing of the door set with Sensys carcase hinge
- ▶ Set contains all the parts required for opening a folding sliding door with 2 wings

- Set comprises:
- ▶ 1 Pull to move Silent unit
 - ▶ 1 door rail
 - ▶ 1 positioning aid
 - ▶ Fixing screws

- Advice:
- ▶ Please order profiles and fittings separately
 - ▶ Carcase hinges with self closing feature must be used in combination with Push to move Silent. Recommendation: Sensys 8645, opening angle 110°

Version	Order no. / Hinge side of cabinet		PU
	left	right	
light	9 238 120	9 238 119	1 set
medium	9 238 121	9 238 124	1 set
heavy	9 238 123	9 238 122	1 set

Runner profile



- ▶ Aluminium
- ▶ For screwing on
- ▶ Screw on positions predrilled

Advice:
customised lengths on request

Length mm	Finish	Order no.	PU
2400	silver anodized	9 237 917	100 ea.
2400	powder coated, white	9 244 904	100 ea.

Guide profile



- ▶ Aluminium
- ▶ For screwing on
- ▶ Screw on positions predrilled

Advice:
Customised lengths on request

Length mm	Finish	Order no.	PU
2400	silver anodized	9 237 990	100 ea.
2400	powder coated, white	9 244 905	100 ea.

Folding door system

- ▶ WingLine L / attached to the side
- ▶ System components

Cover cap for running component for door wings weighing up to 25 kg



- ▶ For covering running components for door wings weighing up to 25 kg
- ▶ Plastic, grey

Order no.	PU
9 227 326	500 ea.

Door damper



- ▶ Prevents running and guide component from colliding with the side panel
- ▶ One door damper must be fitted for each running and guide component
- ▶ Can be shortened as required to suit door overlay
- ▶ Plastic, grey

Order no.	PU
9 236 926	500 ea.

Stay open element



- ▶ Holds door set in opened position
- ▶ Prevents the door set from springing back
- ▶ One stay open element must be used for each door set
- ▶ Not needed when using Push to move, Pull to move or Pull to move Silent
- ▶ Plastic, grey

Hinge side of cabinet	Order no.	PU
left	9 237 710	500 ea.
right	9 237 711	500 ea.

Positioning aid centre hinge



- ▶ For easily defining the right drilling position for the fast assembly centre hinge
- ▶ 2 mm, 3 mm, 4 mm and 7 mm centre reveal possible
- ▶ Plastic, grey

Order no.	PU
9 237 039	100 ea.

- ▶ WingLine L / attached to the side
- ▶ System components

Door protection clip



- ▶ Prevents a bowing door from colliding with the centre panel on closing
- ▶ Installed on the side panel in hole line 37 or 28
- ▶ Plastic, grey

Order no.	PU
9 236 460	500 ea.

Profile support



- ▶ Supports the runner profile at the end of the profile
- ▶ Use is recommended if the last screw on position cannot be used in the profile for design reasons
- ▶ Plastic, grey

Order no.	PU
9 236 461	500 ea.

Profile mounting clip



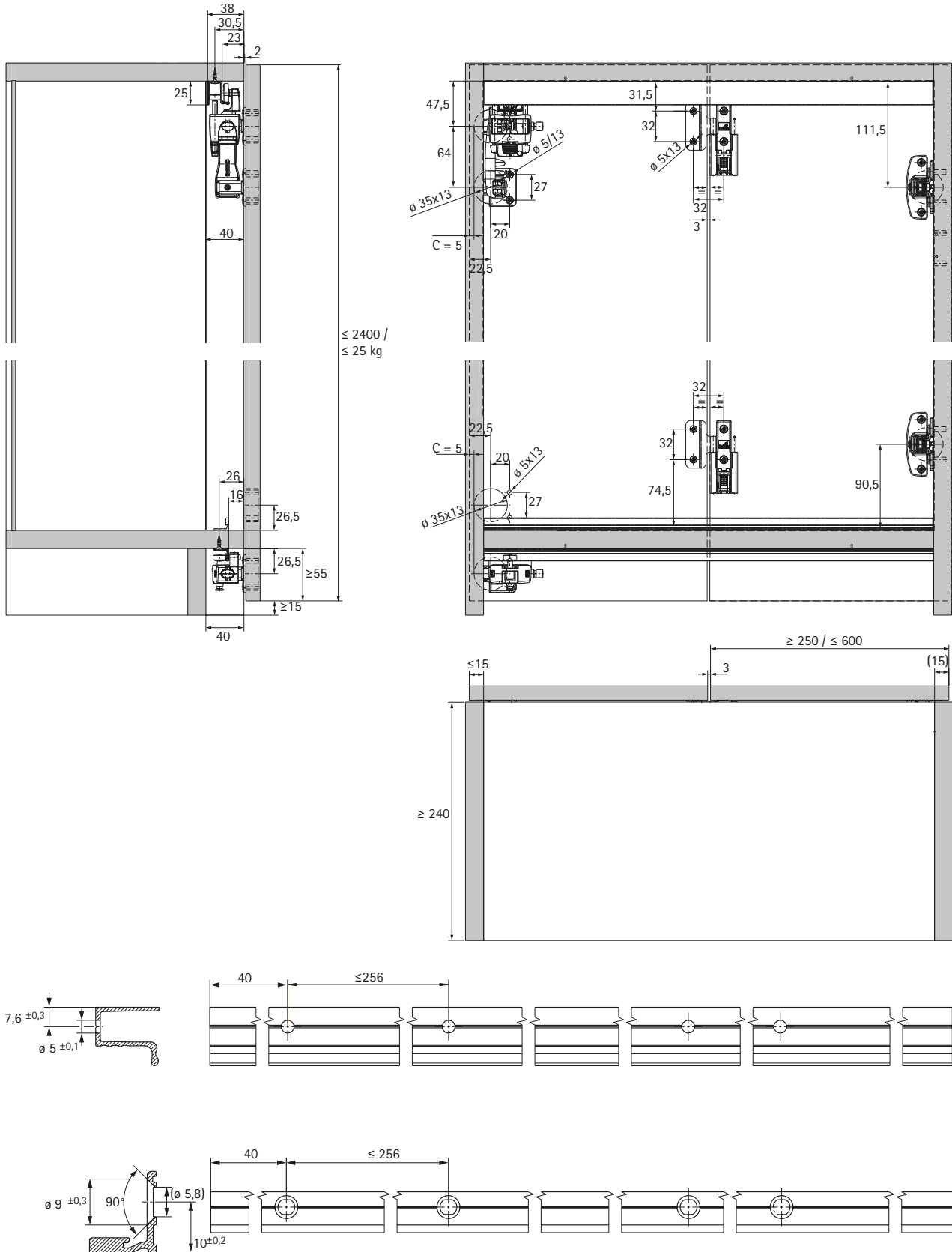
- ▶ Securely holds the profiles in the correct screw mounting position
- ▶ Installation clip can be used on the runner profile and guide profile (on and under the plinth)
- ▶ Plastic, grey

Order no.	PU
9 237 758	500 ea.

Folding door system

- ▶ WingLine L / attached to the side
- ▶ Planning dimensions

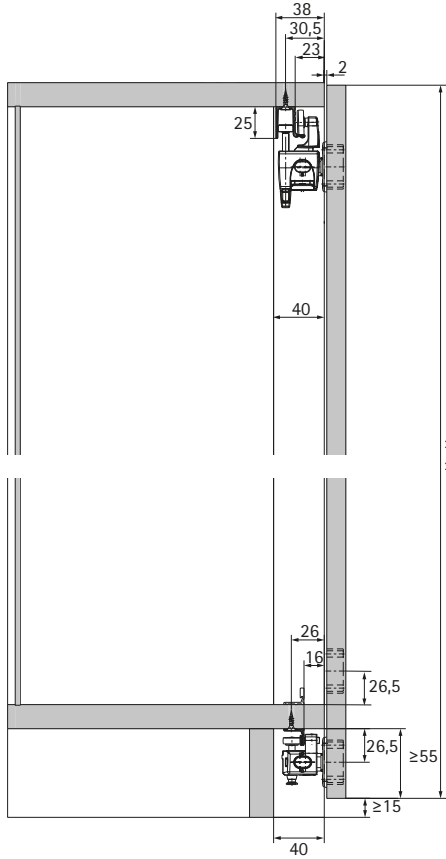
WingLine L max. door wing weight 25 kg



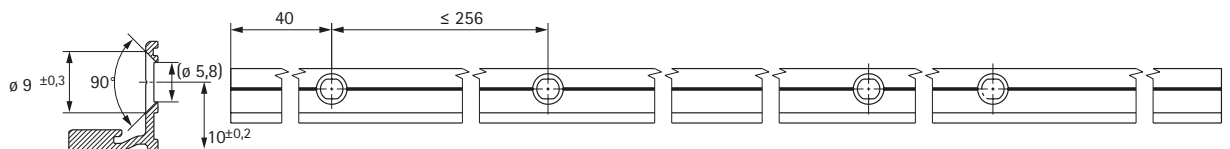
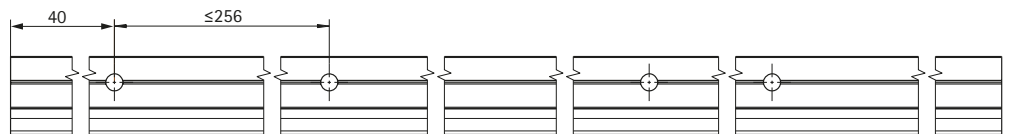
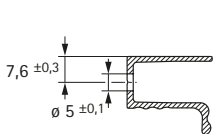
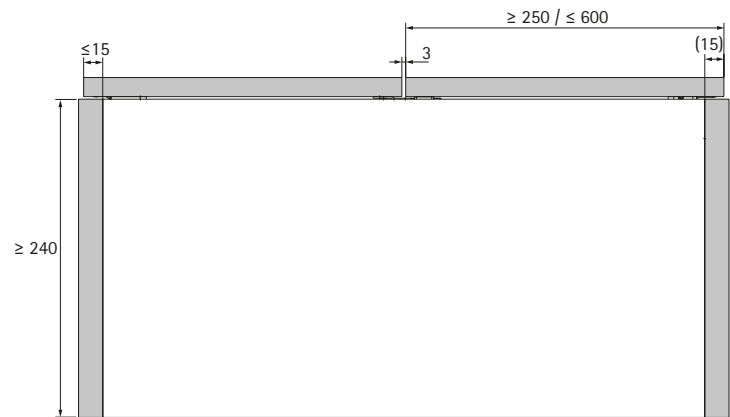
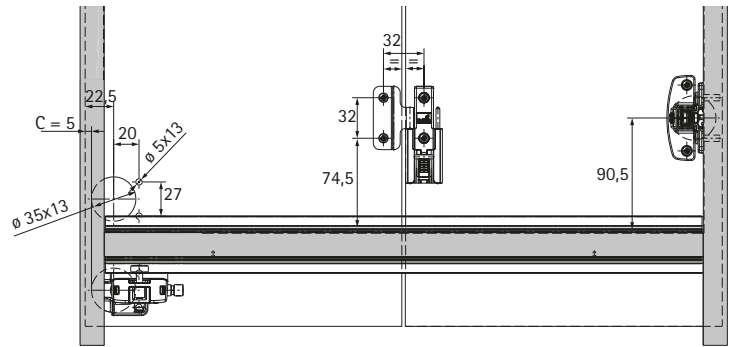
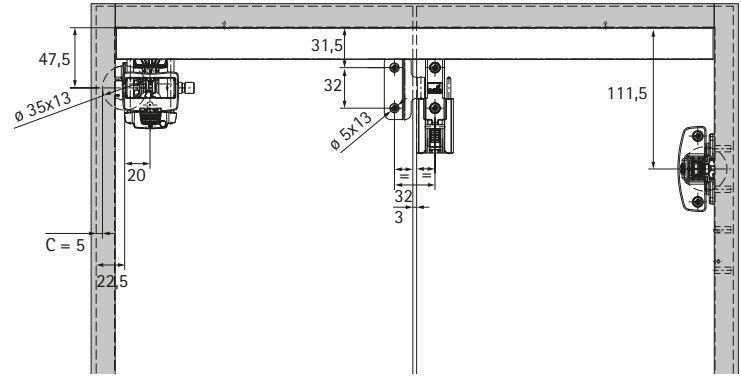
Folding door system

- ▶ WingLine L / attached to the side
- ▶ Planning dimensions

WingLine L max. door panel weight 12 kg



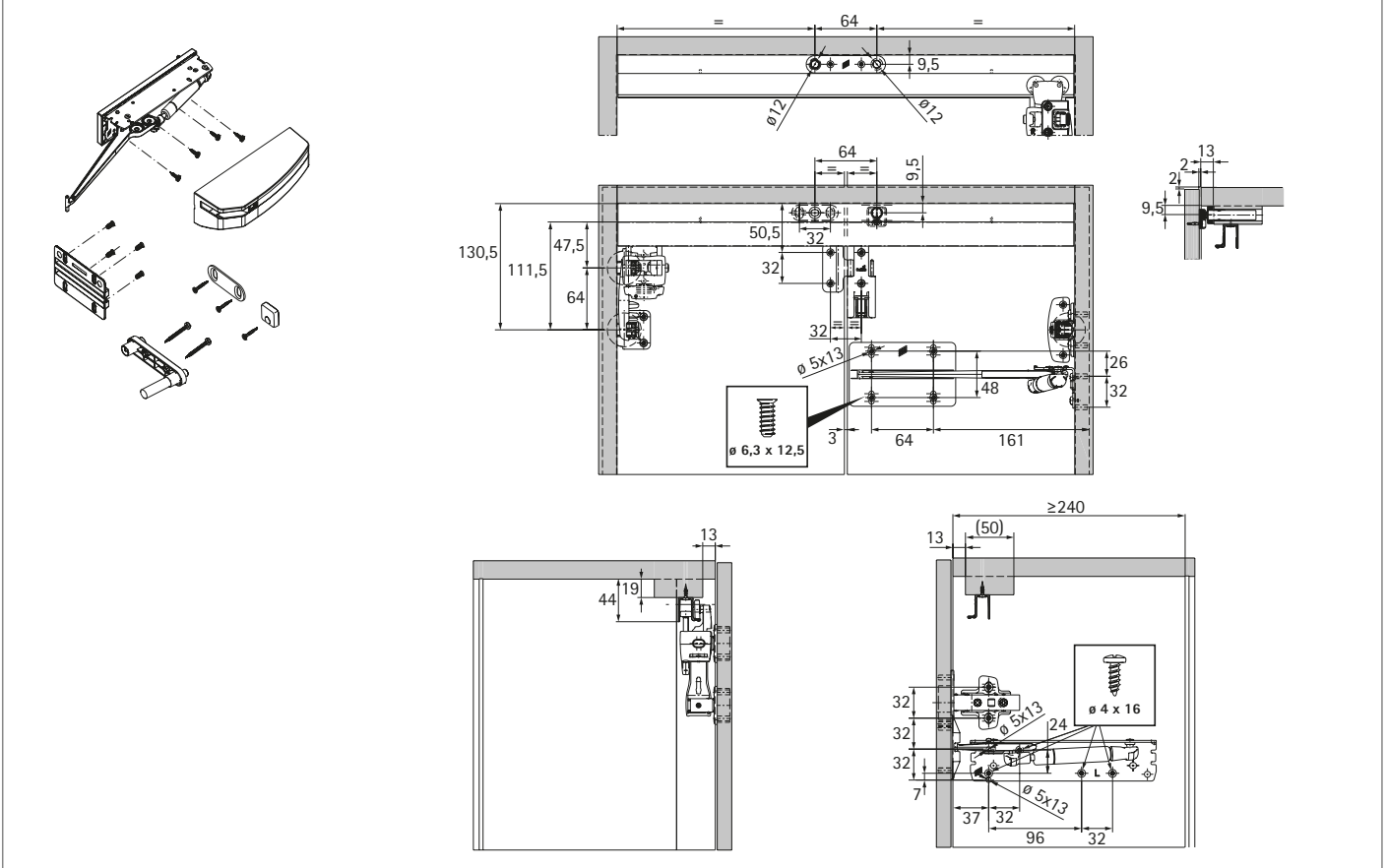
≤ 2400 /
≤ 12 kg



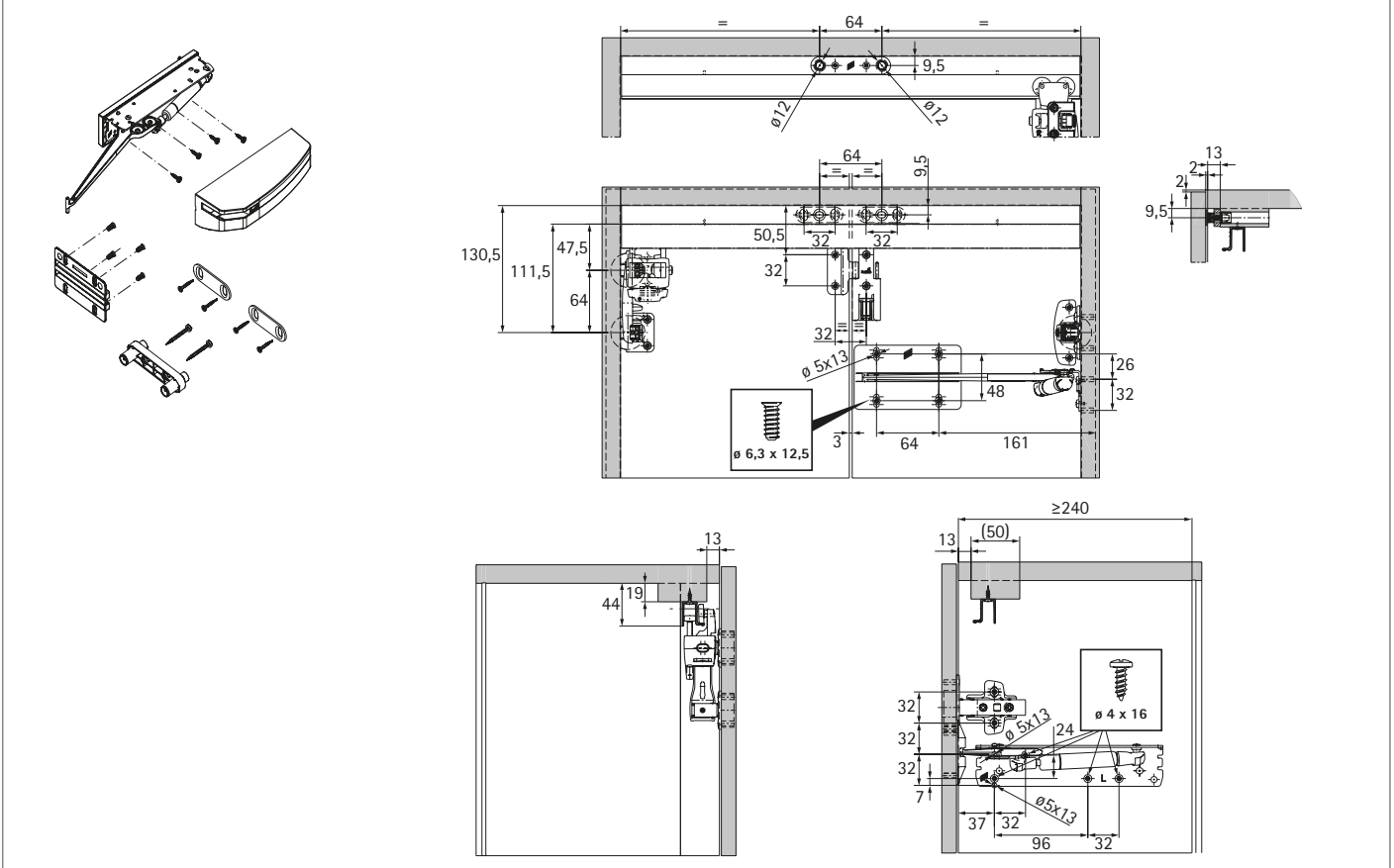
Folding door system

- ▶ WingLine L / attached to the side
- ▶ Planning dimensions

WingLine L with Push to move



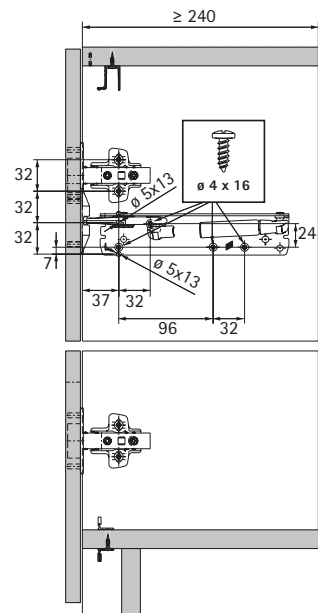
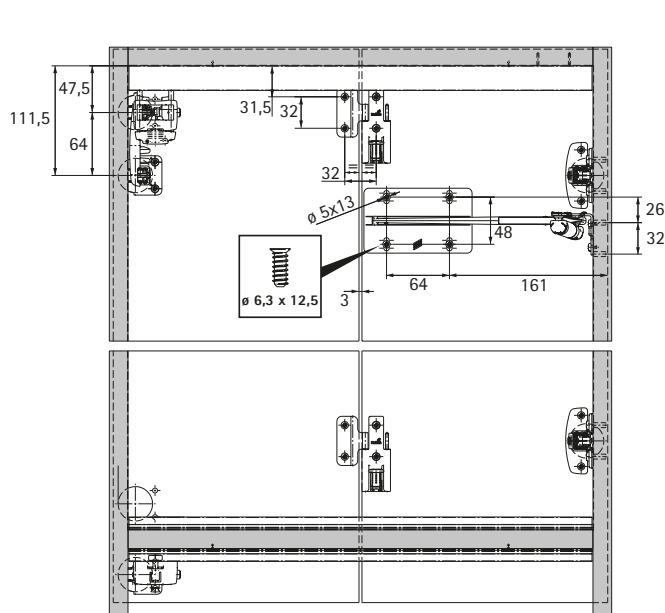
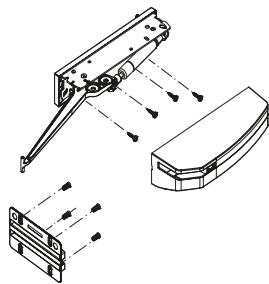
WingLine L with Pull to move



Folding door system

- ▶ WingLine L / attached to the side
- ▶ Planning dimensions

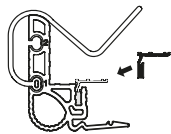
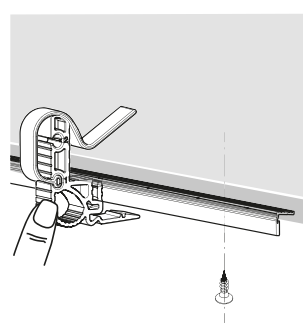
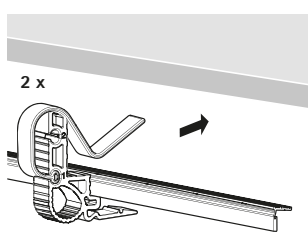
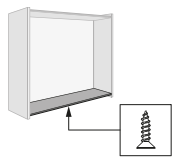
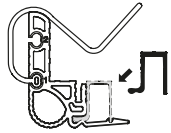
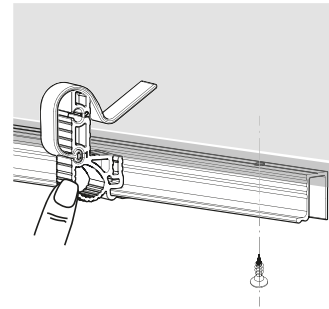
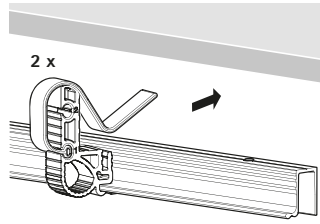
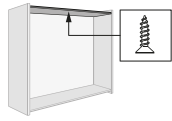
WingLine L with Pull to move Silent



Folding door system

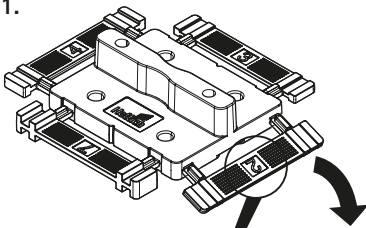
- ▶ WingLine L / attached to the side
- ▶ Installation

Installing runner and guide profiles



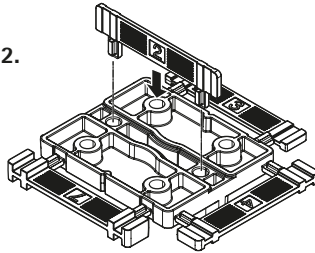
Positioning centre hinges

1.

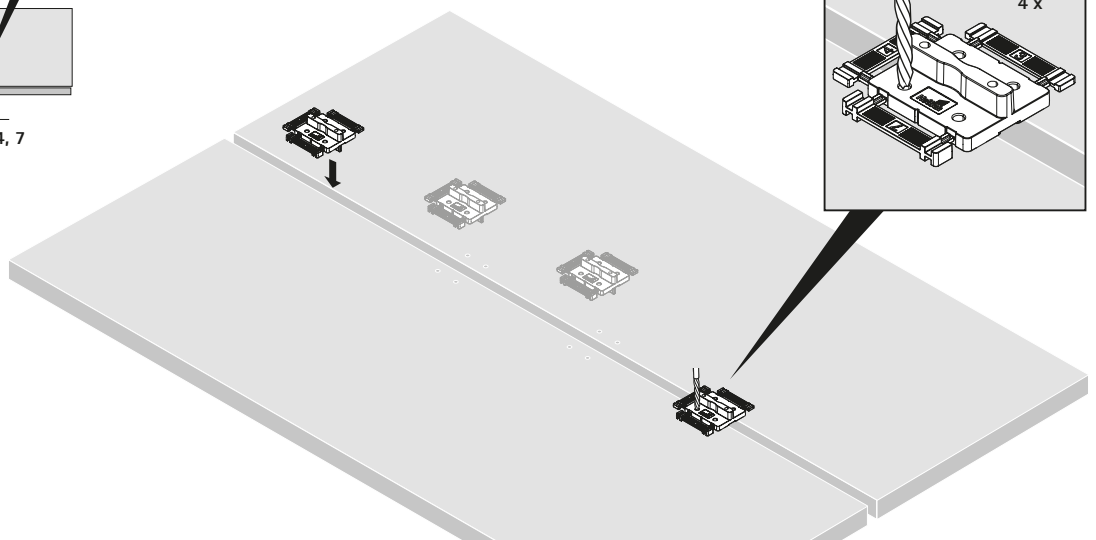
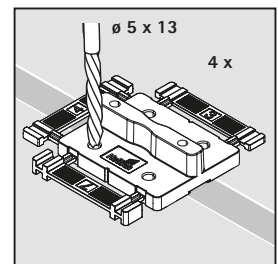
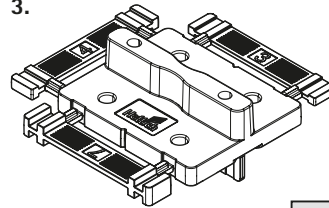


F = 2, 3, 4, 7

2.



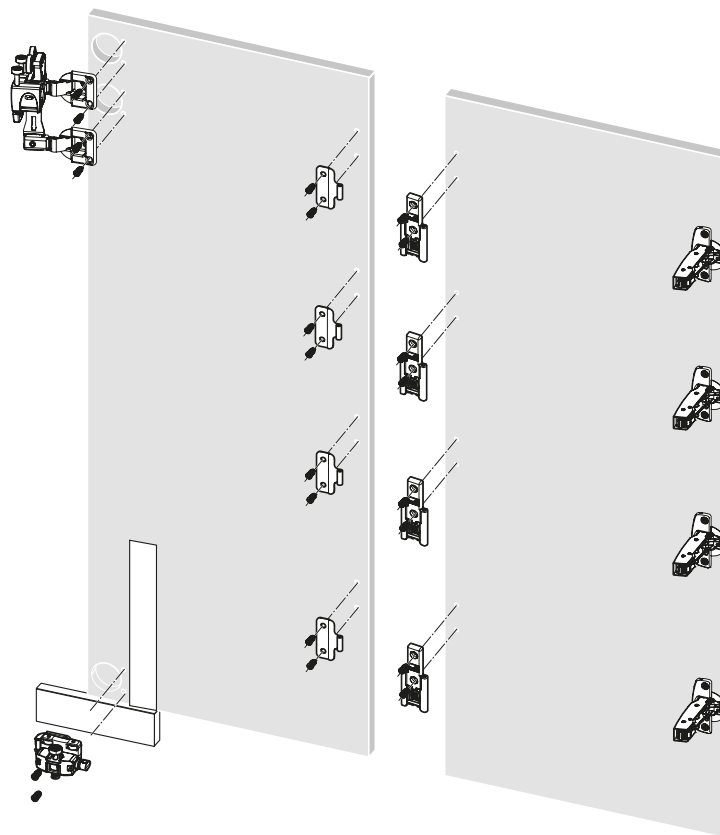
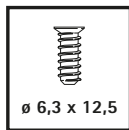
3.



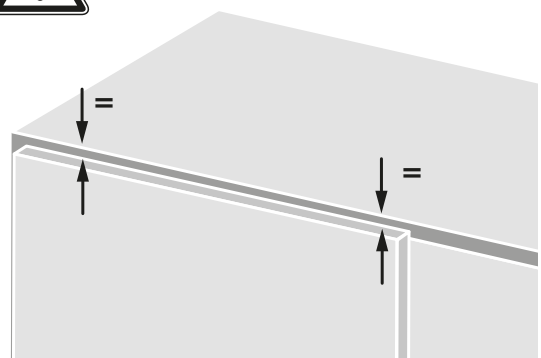
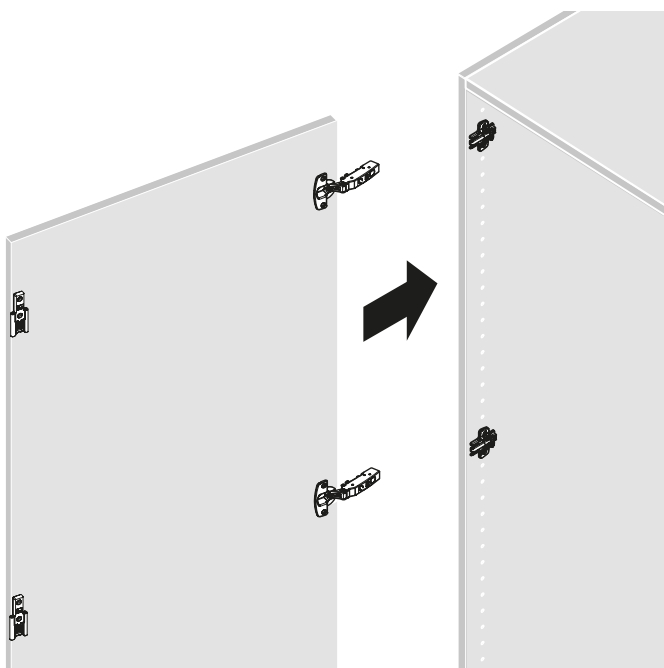
Folding door system

- ▶ WingLine L / attached to the side
- ▶ Installation

Installing fitting components



Installing first door wing

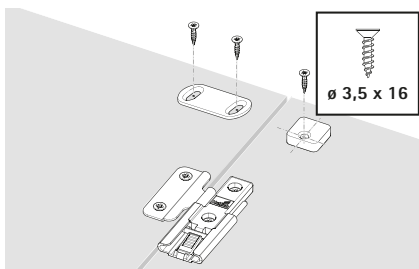
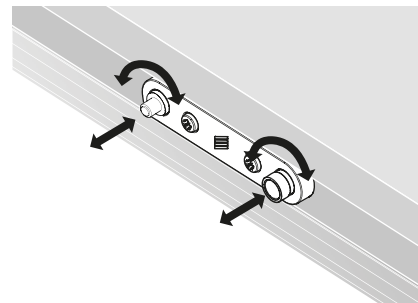
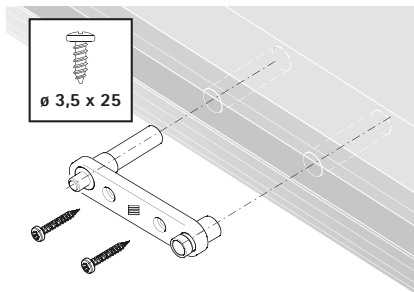
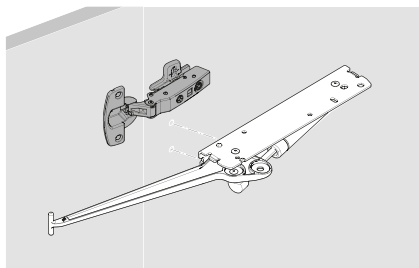


Folding door system

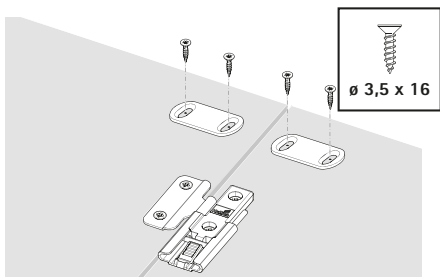
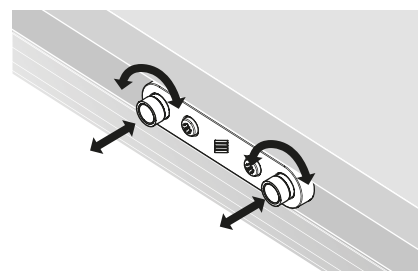
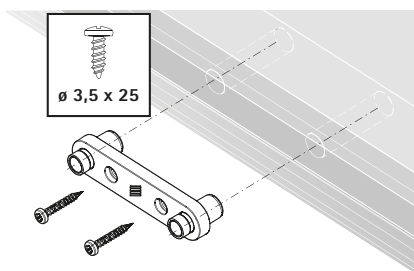
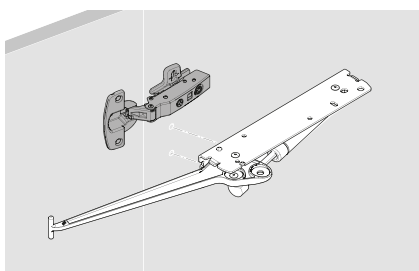
- ▶ WingLine L / attached to the side
- ▶ Installation

Installing Push to move / Pull to move / Pull to move Silent

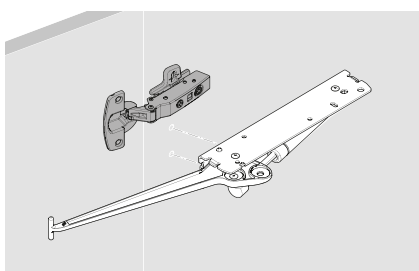
Push to move



Pull to move



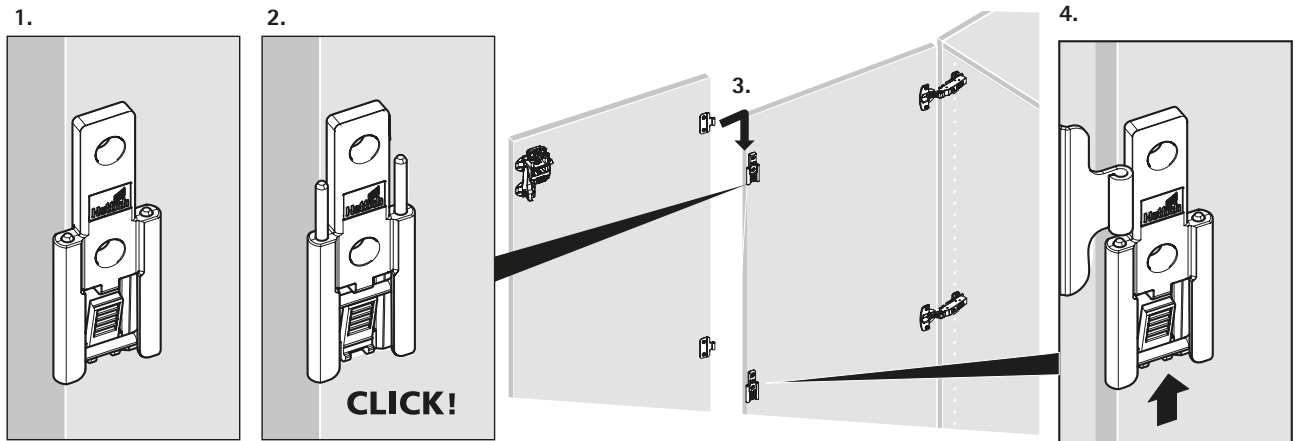
Pull to move Silent



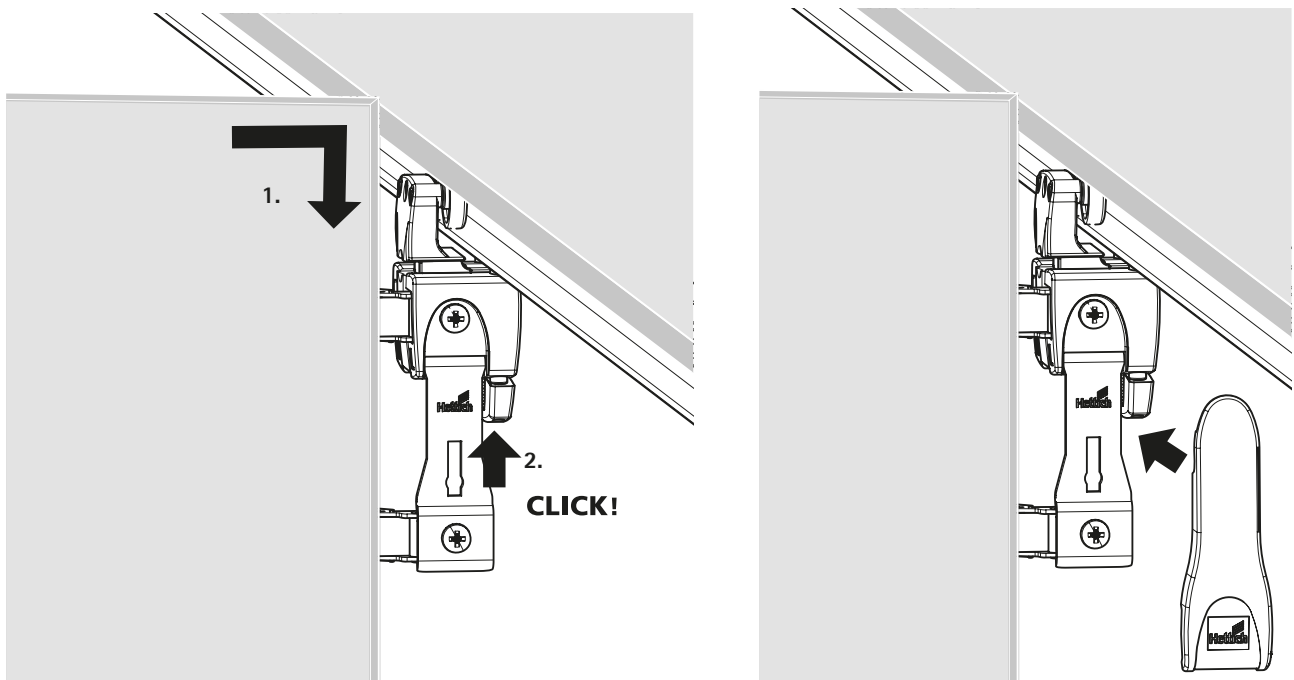
Folding door system

- ▶ WingLine L / attached to the side
- ▶ Installation

Toolless fast installation of the second door wing



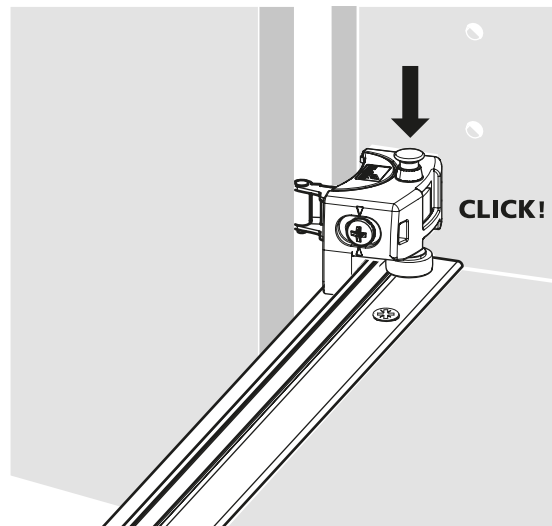
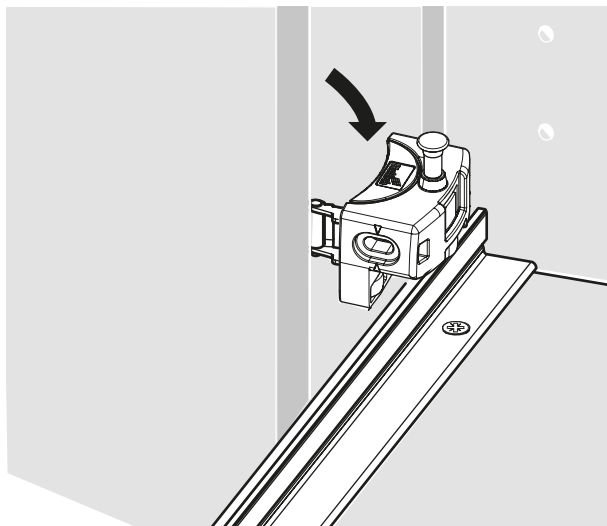
Tool-less running component fast assembly



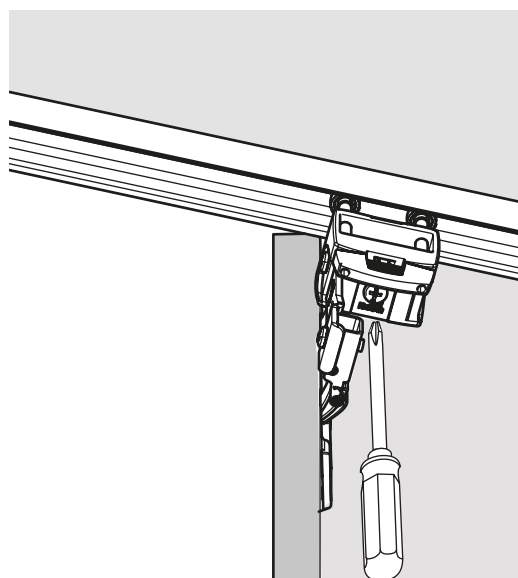
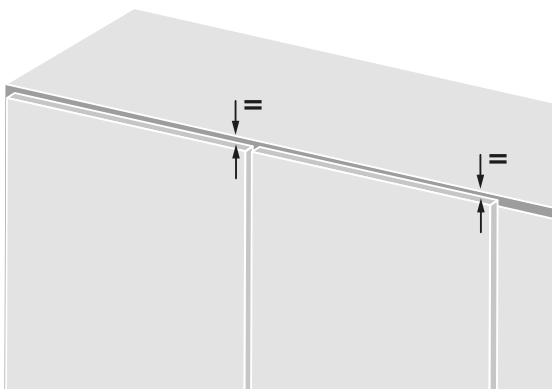
Folding door system

- ▶ WingLine L / attached to the side
- ▶ Installation

Tool-less fast assembly of guide components



Height adjustment at the running component



Folding door system

- ▶ WingLine 230 / Attached to the side
- ▶ All the benefits at a glance

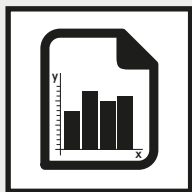


For mammoth tasks.

WingLine 230 is the giant among folding door systems: areas of over 6 m² are opened up in a single movement. Perfect for large cabinets, e.g. in the office or utility room. As an agile room divider. Or for a walk in cabinet in living areas that can be opened and closed with a turn of the hand. WingLine 230 has exactly what it takes, supporting doors with a leaf weight of 20 to 25 kg. Extremely sturdy: side mounting with Sensys 8645i fast assembly concealed hinge. WingLine 230 requires neither centre panels nor any bottom guide.

Folding door system

- ▶ WingLine 230 / Attached to the side
- ▶ Summary



Performance summary

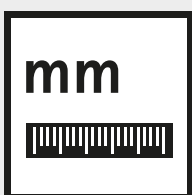
110 – 111

- ▶ Technical details in brief
- ▶ Door sizes
- ▶ Operating principle



System components

112



Planning dimensions

113 – 114



Installation

115



Accessories

136



Technical information

- ▶ Calculating door weights
- ▶ Quality criteria

138 – 139

135

Folding door system

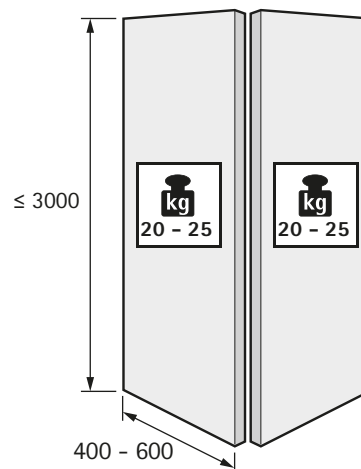


- ▶ WingLine 230 / Attached to the side
- ▶ Performance summary

Technical details in brief

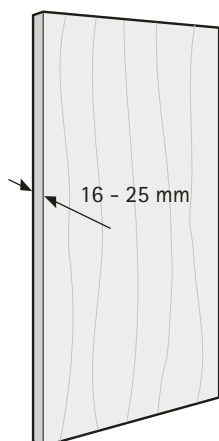
- ▶ For 1 folding door with 2 wings
- ▶ Overlay door position
- ▶ For wooden doors
- ▶ Suitable for use with Sensys hinge with Silent System
- ▶ Door wing weight 20 to 25 kg
- ▶ Door height up to 3000 mm
- ▶ Door wing width up to 600 mm
- ▶ Tested with 40000 cycles

Door format and door weight

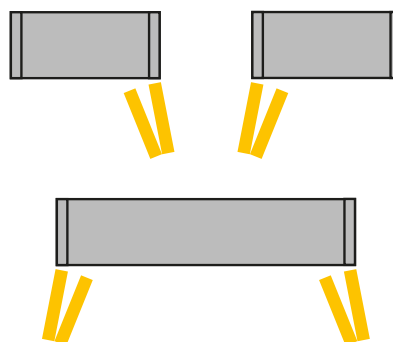


see pages 138 - 139

Door material



Number of door wings and door position

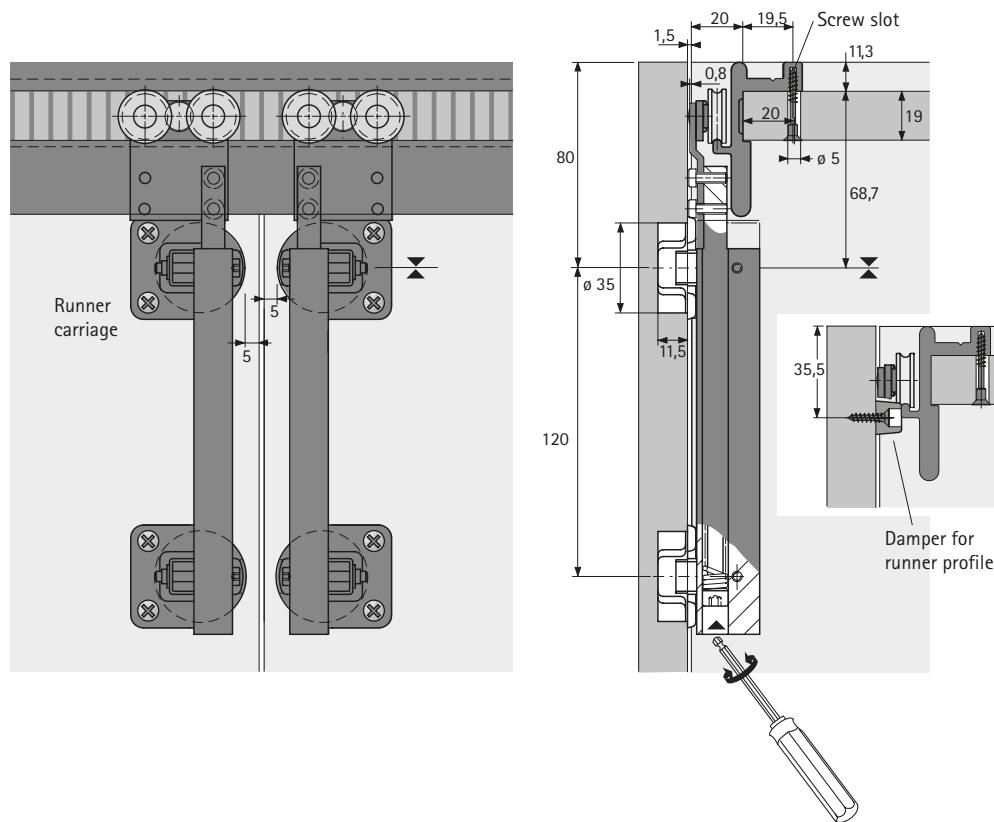


Folding door system

- ▶ WingLine 230 / Attached to the side
- ▶ Performance summary



Operating principle / 1 folding door with 2 wings



Folding door system

- ▶ WingLine 230 / Attached to the side
- ▶ System components

WingLine 230 set



- ▶ Set contains all the parts required for 1 folding sliding door with 2 panels, right or left, and 2 folding doors with 2 panels each on right and left

Set comprises:

- ▶ 1 / 2 running components
- ▶ 5 / 10 folding door hinges for pressing in
- ▶ 1 / 2 dampers on the loose shelf
- ▶ 1 / 2 dampers on the runner profile
- ▶ Fixing material

Advice:

- ▶ Please order profiles separately

Hinge side of cabinet	Order no.	PU
left	0 010 083	1 set
right	0 010 084	1 set
left and right	0 079 015	1 set

Running component



- ▶ With 2 concealed hinges / springs
- ▶ Steel, nickel plated

Hinge side of cabinet	Order no.	PU
left	1 072 987	20 ea.
right	1 072 988	20 ea.

Centre hinge with adjustable offset pivot



- ▶ Centre hinge for folding doors
- ▶ For door thicknesses from 15 mm
- ▶ Same drilling pattern for door and side element, both elements are mounted separately
- ▶ The reveal can be infinitely adjusted from minimum reveal to + 4 mm, application is always flush
- ▶ Gradual adjustment of the pivot offset with 0 mm, 3 mm and 6 mm
- ▶ Zinc die-cast nickel plated

Mounting option	Order no.	PU
For pressing in	0 052 095	10 ea.

Runner profile



- ▶ For 19 mm top shelf
- ▶ For screwing on
- ▶ Aluminium

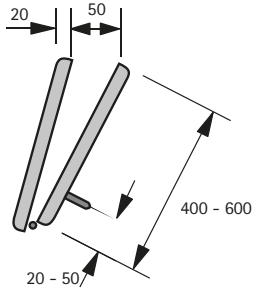
Length mm	Colour	Order no.	PU
1200	powder coated white	1 076 849	1/4 ea.
2400	powder coated white	0 079 013	1/4 ea.

Folding door system

- ▶ WingLine 230 / Attached to the side
- ▶ Planning dimensions

WingLine 230 installation dimensions

2-wing door set



2-wing folding door

Door width 800 - 1200 mm
 Door weight / wing 20 - 25 kg
 Door wing height 2000 - 3000 mm

Calculation of door width / door wing width

2 folding doors with 4 wings

Door width = inside carcass width + (2 x overlay¹)

Door panel width = (inside carcass width - 3 x reveal + 2 x overlay¹) ÷ 4

Overlay¹: max. 15 mm, C dimension 5 mm

1 folding door with 2 wings

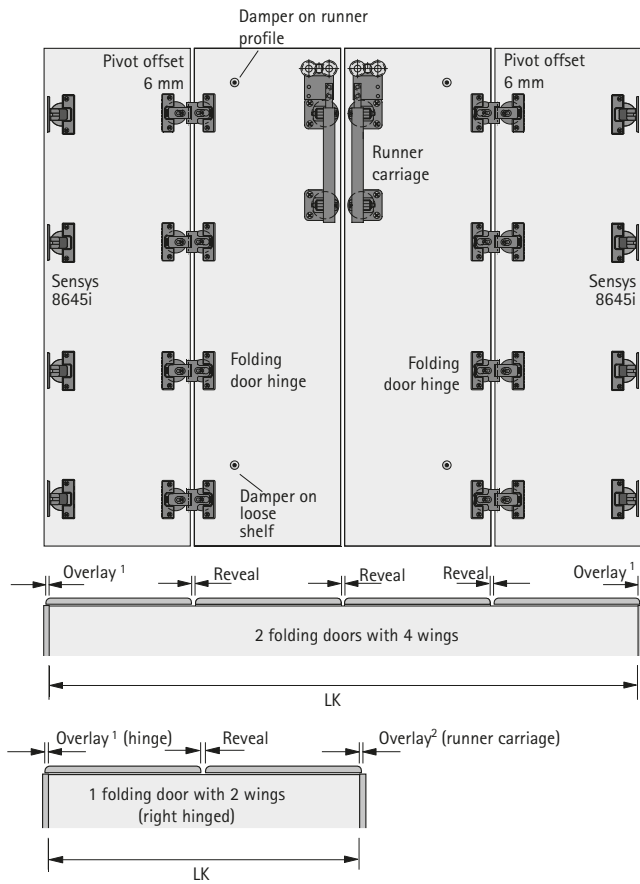
Door width = inside carcass width + (overlay¹ + overlay²)

Door panel width = (inside carcass width - 1 x reveal + overlay¹ + overlay²) ÷ 2

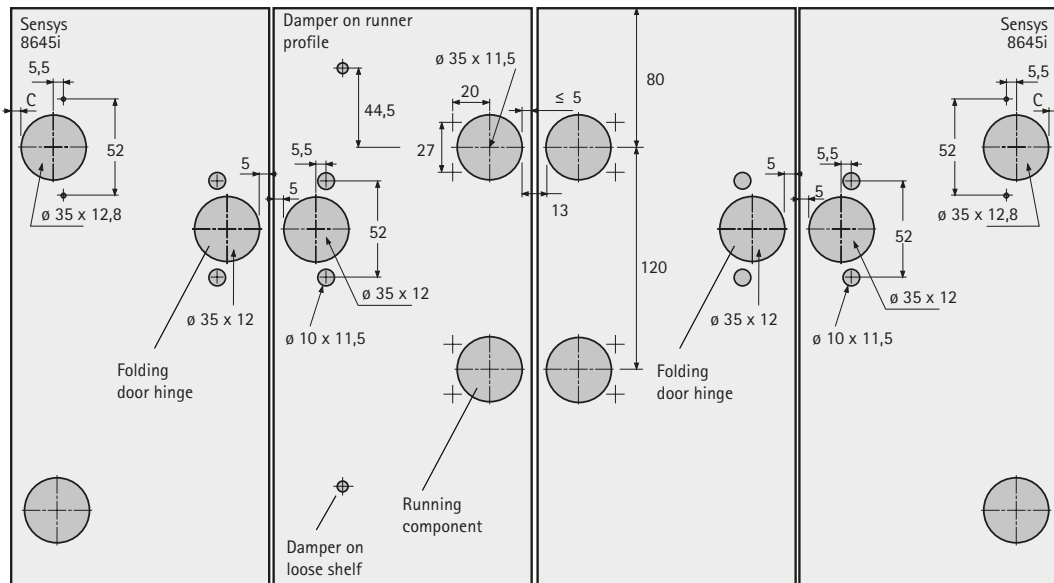
Overlay¹: max. 15 mm, C dimension 5 mm

Overlay²: max. 4 mm

4-wing folding door



Drilling patterns

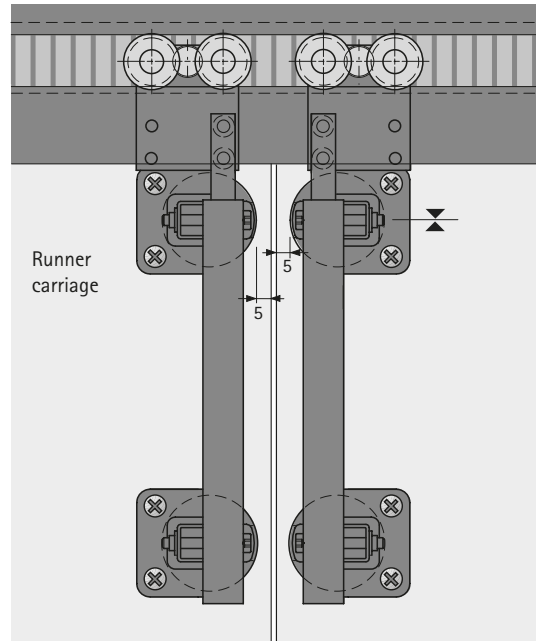
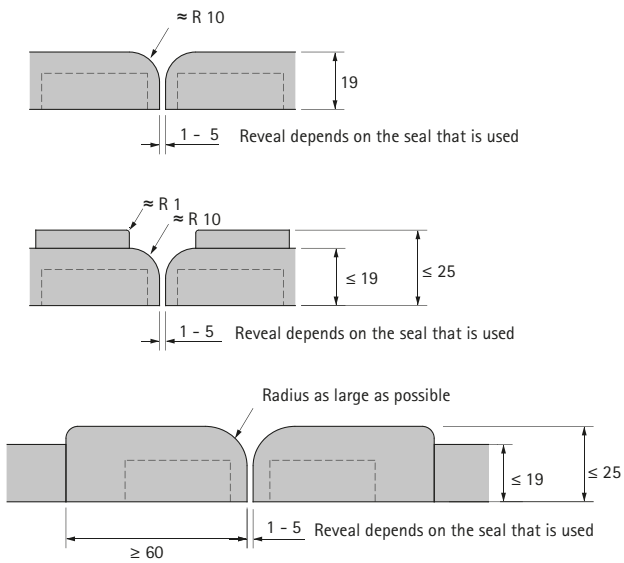


Folding door system

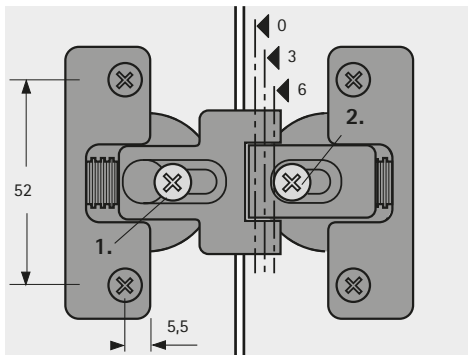
- ▶ WingLine 230 / Attached to the side
- ▶ Planning dimensions

WingLine 230 installation dimensions

Door wing contours and reveals (as finger protection)



Folding door hinge Mounting side right



1. Reveal adjustment:
infinitely from minimum reveal
to + 4 mm.
2. Gradual adjustment of the
pivot offset (0 / 3 / 6) allows
door protrusion to be set to
3, 6 or 12 mm.

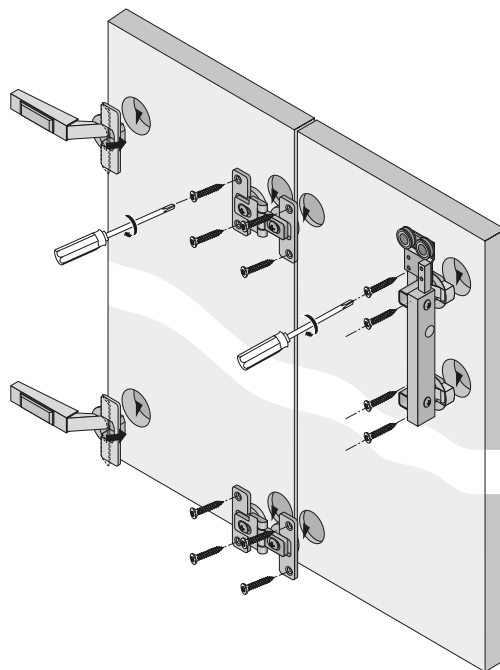
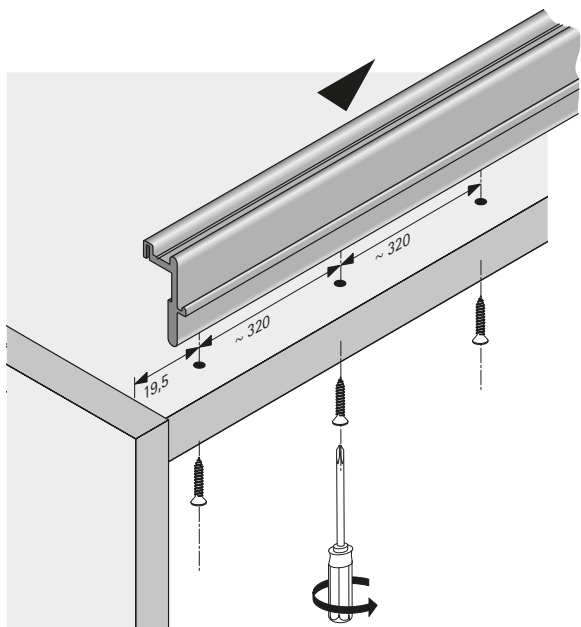
1. Reveal adjustment
2. Pivot offset

Pivot offset mm	Door protrusion mm
0	3
3	6
6	12

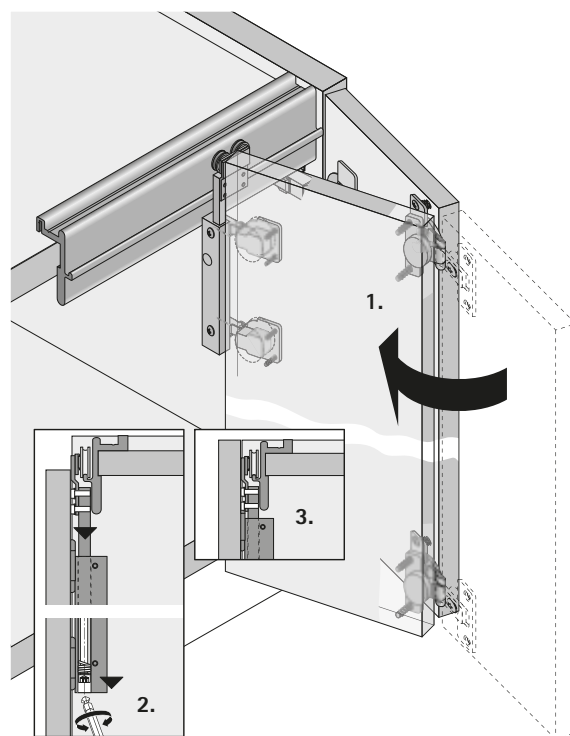
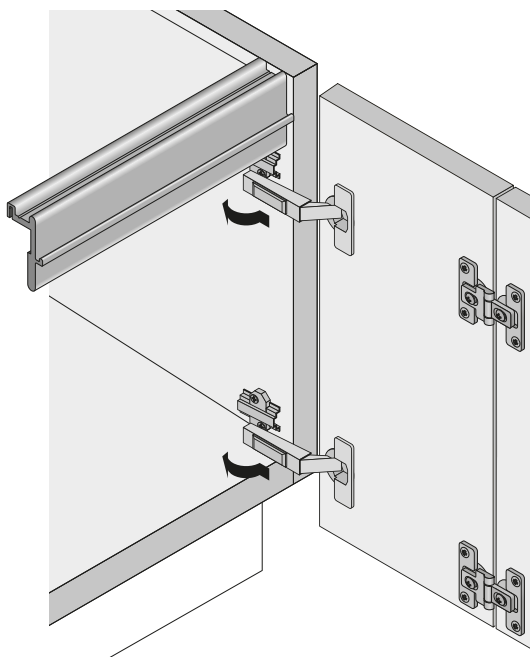
Folding door system

- ▶ WingLine 230 / Attached to the side
- ▶ Installation

Installing runner profile / preparing door set



Installation door set



Folding door system

- ▶ WingLine 26 / attached to the side
- ▶ All the benefits at a glance



Economic miracle. Reliable system providing excellent value for money: the WingLine 26 folding door system manages without a bottom guide. Given its uncomplicated design, the WingLine 26 system is also often used for a bottom guide – where it complements the top running WingLine 770 / 780.



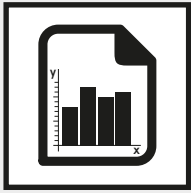
Good basis: WingLine 26 is the preferred option for the bottom guide.



Destined for greater things: WingLine 26 is also suitable as a top runner system for small doors.

Folding door system

- ▶ WingLine 26 / attached to the side
- ▶ Summary



Performance summary

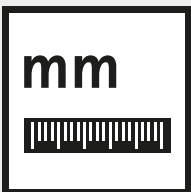
118 – 119

- ▶ Technical details in brief
- ▶ Door sizes
- ▶ Operating principle



System components

120



Planning dimensions

121



Installation

122 – 123



Accessories

136



Technical information

- ▶ Calculating door weights
- ▶ Quality criteria

138 – 139

135

Folding door system

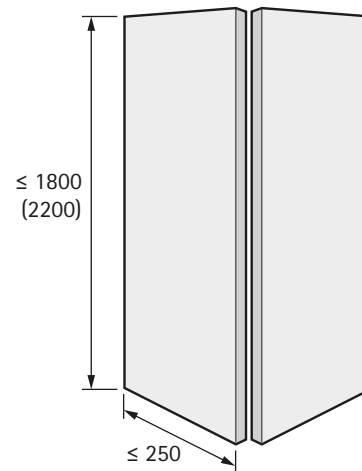


- ▶ WingLine 26 / attached to the side
- ▶ Performance summary

Technical details in brief

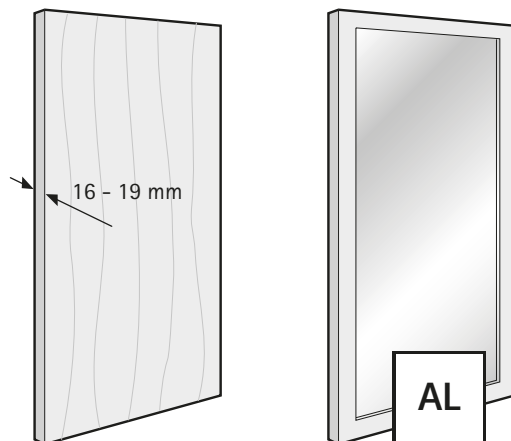
- ▶ For 1 folding door with 2 wings
- ▶ Overlay door position
- ▶ For wooden doors or wood / aluminium framed doors
- ▶ Suitable for use with Sensys hinge with Silent System
- ▶ Door wing weight depends on hinges
- ▶ Door height up to 1800 mm (2200 mm with bottom guide)
- ▶ Door wing width up to 250 mm
- ▶ Ideal as bottom guide for WingLine 770 / WingLine 780
- ▶ Tested with 40000 cycles

Door size and door weight

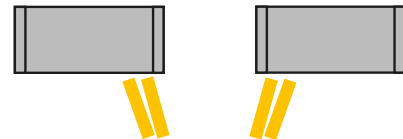


see pages 138 – 139

Door material



Number of door wings and door position

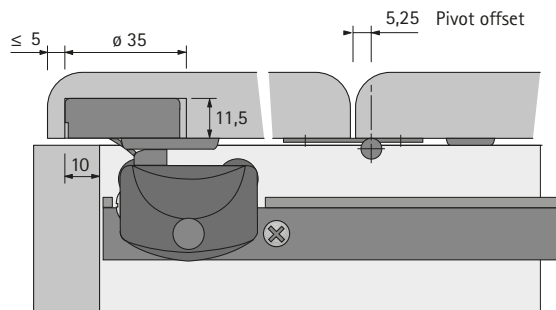
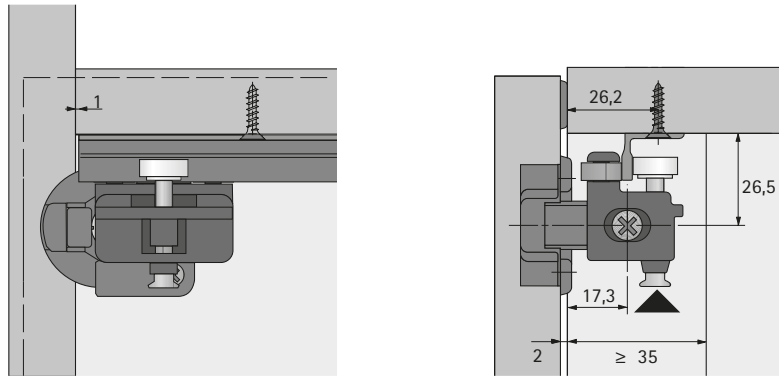


Folding door system

- ▶ WingLine 26 / attached to the side
- ▶ Performance summary



Operating principle



Folding door system

- ▶ WingLine 26 / attached to the side
- ▶ System components

Guide component for fast installation



- ▶ For fast installation
- ▶ With 3 runner rollers and 1 concealed hinge
- ▶ Steel, nickel plated
- ▶ Silver / plastic, grey

Hinge side of cabinet	Order no.	PU
left	0 070 956	1/10 ea.
right	0 070 959	1/10 ea.

Centre hinge 625



- ▶ Centre hinge for folding doors
- ▶ Can be installed at the centre or with pivot offset
- ▶ Top running performance due to abrasion-resistant distance rings with pivot bearing
- ▶ With fixed steel pin
- ▶ Steel, nickel plated

Order no.	PU
0 071 648	1/10 ea.

Centre hinge with adjustable offset pivot



- ▶ Centre hinge for folding doors
- ▶ For door thicknesses over 15 mm
- ▶ Same drilling pattern for door and side element, both elements are mounted separately
- ▶ The reveal can be infinitely adjusted from minimum reveal to + 4 mm, application is always flush
- ▶ Gradual adjustment of the pivot offset with 0 mm, 3 mm and 6 mm
- ▶ Zinc die-cast nickel plated

Mounting option	Order no.	PU
For screwing on	0 046 787	1/10 ea.
For pressing in	0 052 095	1/10 ea.

Guide profile



- ▶ For screwing on, screw on positions predrilled
- ▶ Length 2000 mm
- ▶ Aluminium

Advice:

- ▶ customised lengths on request

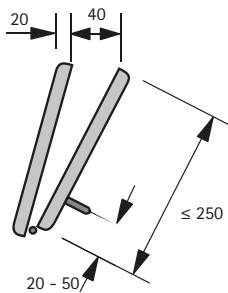
Colour	Order no.	PU
silver anodized	0 072 919	1/4 ea.

Folding door system

- ▶ WingLine 26 / attached to the side
- ▶ Planning dimensions

Installation dimensions for WingLine 26

2-wing door set

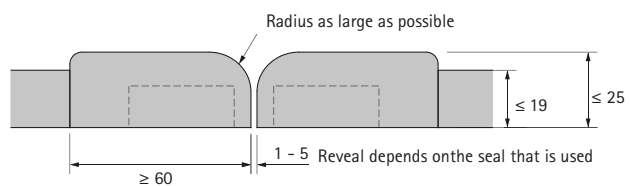
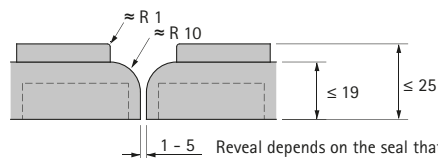
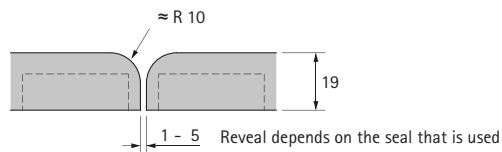


2-wing folding door

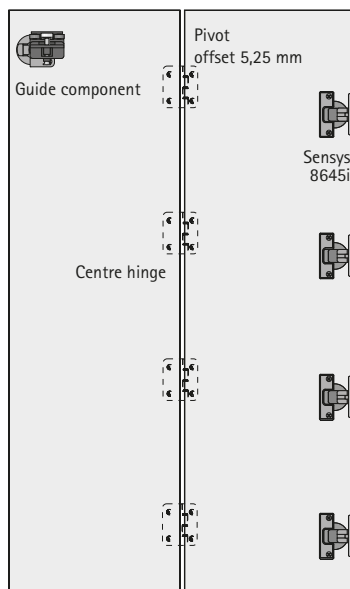
Door width 500 mm max.

Door wing height from 800 to 1800 mm

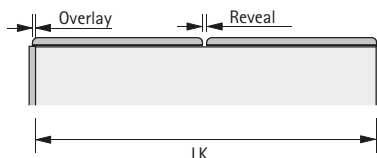
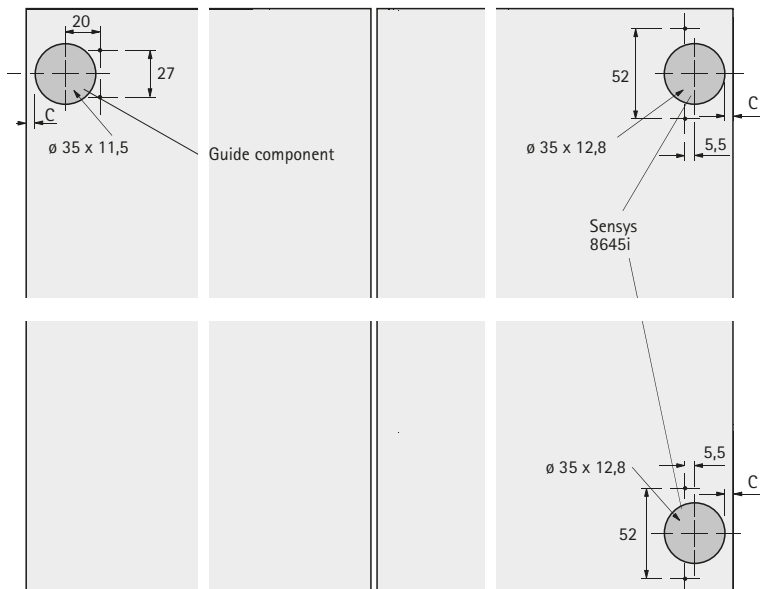
Door wing contours and reveals (as finger protection)



2-wing folding door



Drilling patterns



Calculation of door width / door wing width

Door width = inside carcase width + (2 x overlay*)

Door wing width = (inside carcase width - 1 x reveal + 2 x overlay*) ÷ 2

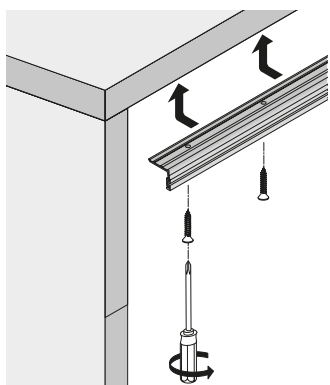
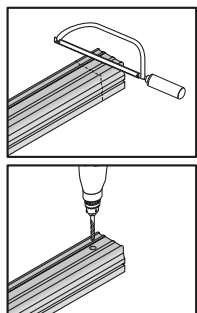
* Overlay: max. 15 mm, C dimension 5 mm

Hinges / mounting plates should be ordered separately – see concealed hinges

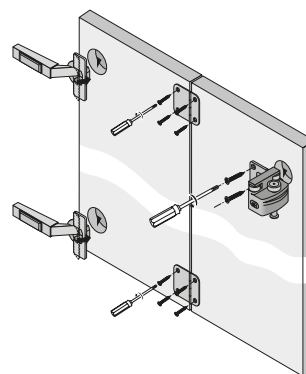
Folding door system

- ▶ WingLine 26 / attached to the side
- ▶ Installation

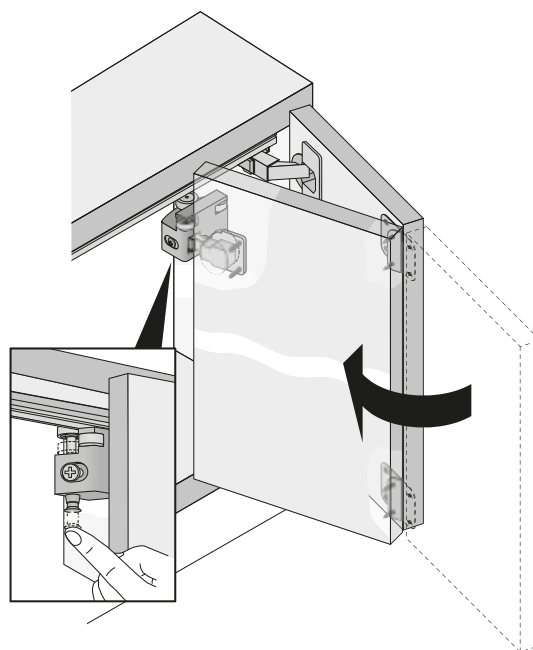
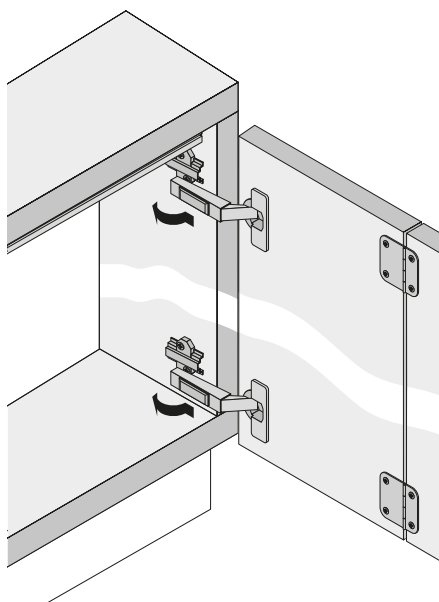
Installing runner profile



Preparing door set



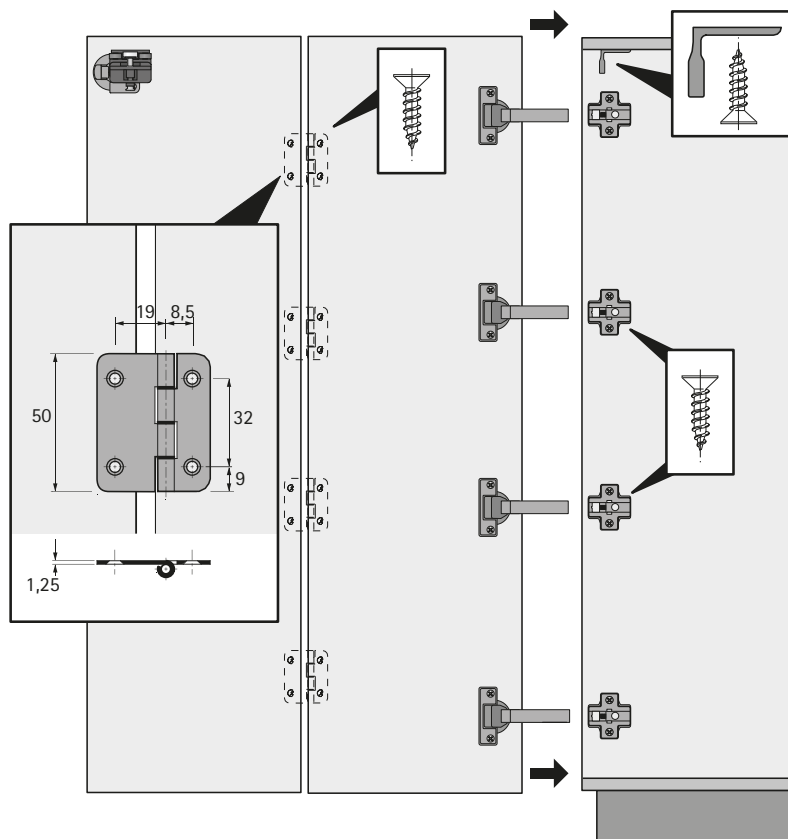
Installing door set



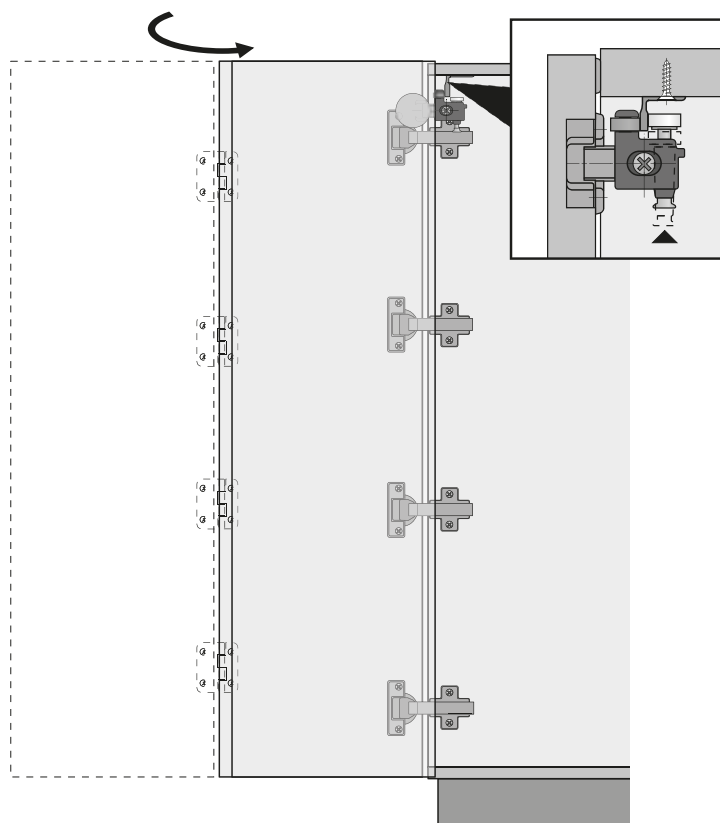
Folding door system

- ▶ WingLine 26 / attached to the side
- ▶ Installation

Installing door set



Installing guide components



Folding door system

- ▶ Wing 77 / freely moveable
- ▶ All the benefits at a glance



Fantastic flexibility. With Wing 77, you can produce cabinet fronts with two door leaves (no more than 25 kg each) or four door leaves (no more than 20 kg each). The clever part: the entire door set is free moving! Door sets can also be interlinked. Surprise your customers individually tailored folding door solutions for the bedroom or office. Wing 77 gives you the design flexibility to do so.



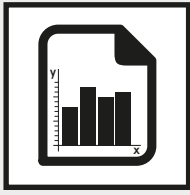
Leaves a good impression: Design flexibility with up to 4 door wings. No mounting to carcass side.



Tried and proven: sturdy runner profile on the top panel as well as bottom guide.

Folding door system

- ▶ Wing 77 / freely moveable
- ▶ Summary



Performance summary

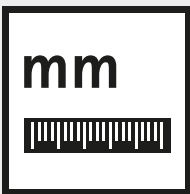
126 – 127

- ▶ Technical details in brief
- ▶ Door sizes
- ▶ Operating principle



System components

128 – 129



Planning dimensions

130 – 131



Installation

132 – 134



Accessories

136



Technical information

- ▶ Calculating door weights
- ▶ Quality criteria

138 – 139

135

Folding door system

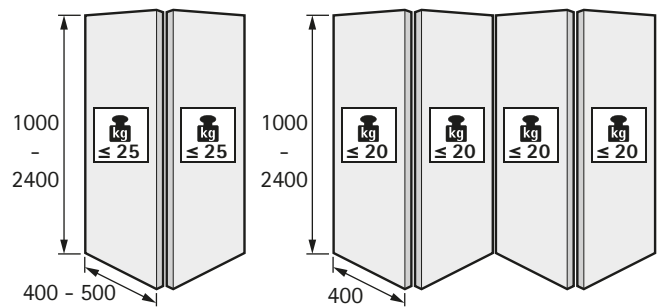


- ▶ Wing 77 / freely moveable
- ▶ Performance summary

Technical details in brief

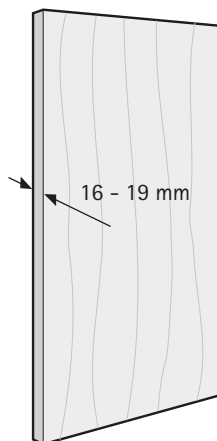
- ▶ Folding door system with 2 or 4 door wings
- ▶ Overlay door position
- ▶ For wooden doors
- ▶ Door wing weight up to 20 kg (25 kg) with 4 (2) door wings
- ▶ Door height up to 2400 mm
- ▶ Door wing width up to 400 mm (500 mm) with 4 (2) door wings
- ▶ Height adjustment +/- 3 mm
- ▶ Centre panels recessed 40 mm
- ▶ Tested with 40000 cycles

Door format and door weight

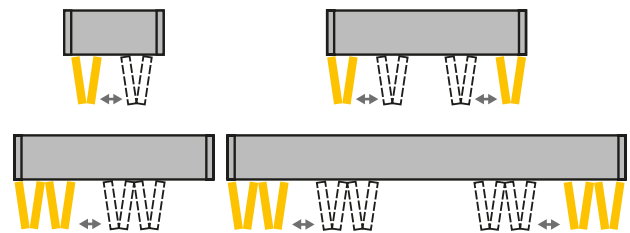


see pages 138 - 139

Door material



Number of door wings and door position

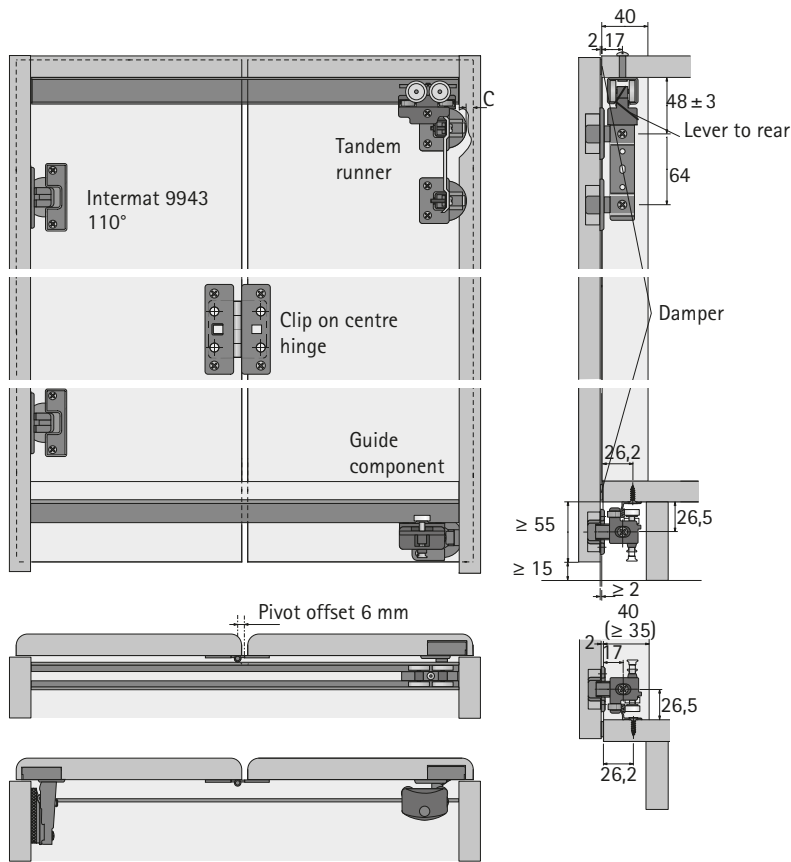


Folding door system

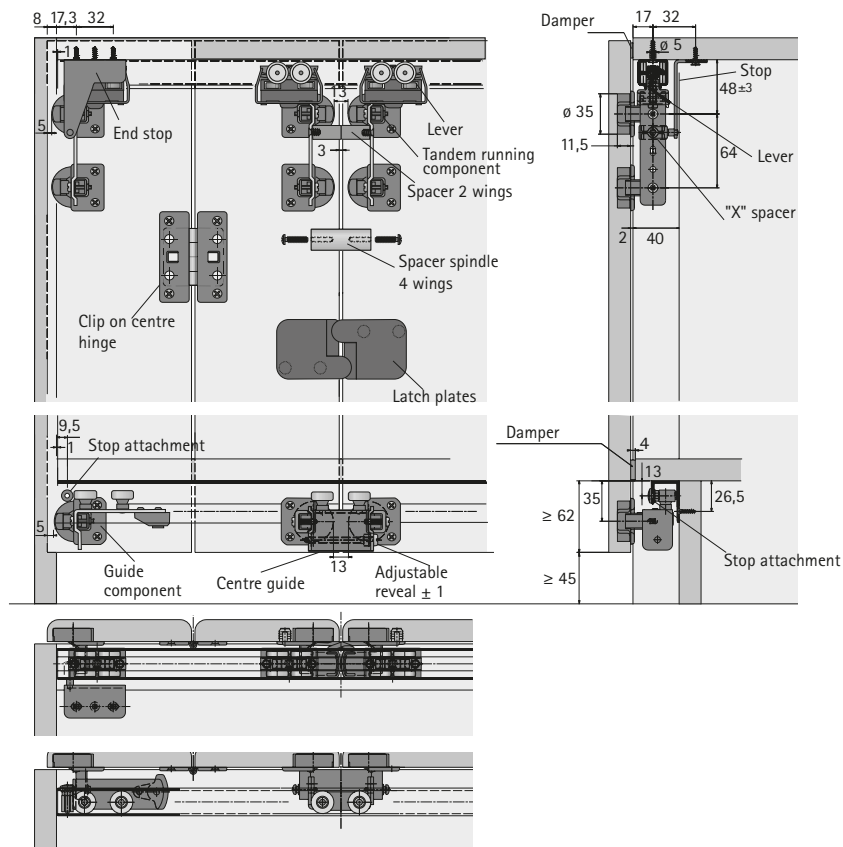
- ▶ Wing 77 / freely moveable
- ▶ Performance summary



Operating principle / 1 folding door with 2 wings



Operating principle / 1 folding door with 4 wings



- ▶ Wing 77 / freely moveable
- ▶ System components

Set 1 Wing 77



- ▶ Set contains all the parts required for 1 folding sliding door with 2 panels
- ▶ The inside carcass width of 800 mm should not be exceeded. The top panel must be designed so that it cannot sag by more than 1.5 mm under the weight of the folded doors.

Set comprises:

- ▶ 2 tandem running components for fast installation
- ▶ 2 brackets for running component with + / - 5 mm height adjustment capability
- ▶ 2 guide components
- ▶ 4 clip on centre hinges
- ▶ 4 spacers
- ▶ 4 end stops
- ▶ 4 noise absorbing felts (for damping doors against the carcass) for positioning at the top and bottom on each door wing
- ▶ Fixing material

Advice:

- ▶ Please order profiles separately

Order no.	PU
0 070 986	1 set

Set 2 Wing 77



- ▶ Set contains all the parts required for 1 folding sliding door with 4 panels
- ▶ The inside carcass width of 800 mm should not be exceeded. The top panel must be designed so that it cannot sag by more than 1.5 mm under the weight of the folded doors.

Set comprises:

- ▶ 4 tandem running components for fast installation
- ▶ 4 supports for running component with + / - 5 mm height adjustment capability
- ▶ 1 spacer spindle for tandem running component
- ▶ 3 guide components and centre guide component
- ▶ 2 latch plates
- ▶ 8 clip on centre hinges
- ▶ 4 spacers
- ▶ 4 end stops
- ▶ 8 noise absorbing felts (for damping doors against the carcass) for positioning at the top and bottom on each door wing
- ▶ Fixing material

Advice:

- ▶ Please order profiles separately

Order no.	PU
0 070 987	1 set

Folding door system

- ▶ Wing 77 / freely moveable
- ▶ System components



Guide profile



- ▶ For screwing on, screw on position predrilled
- ▶ Length 3200 mm
- ▶ Aluminium, silver anodized

Order no.	PU
0 070 985	1/4 ea.

Runner profile



- ▶ For screwing on, screw on positions predrilled
- ▶ Length 3200 mm
- ▶ Aluminium, silver anodized

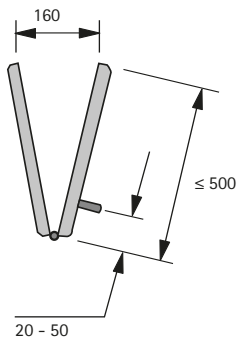
Order no.	PU
9 193 574	1/4 ea.

Folding door system

- ▶ Wing 77 / freely moveable
- ▶ Planning dimensions

Installation dimensions for Wing 77 for 1 folding door with 2 wings

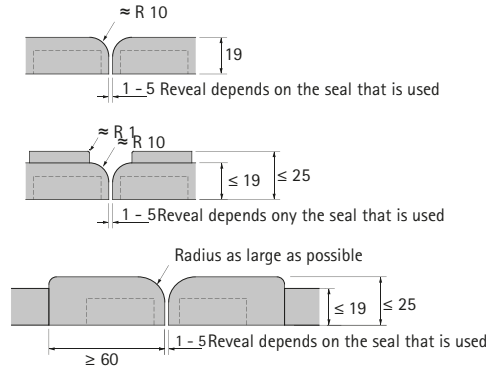
2-wing door set



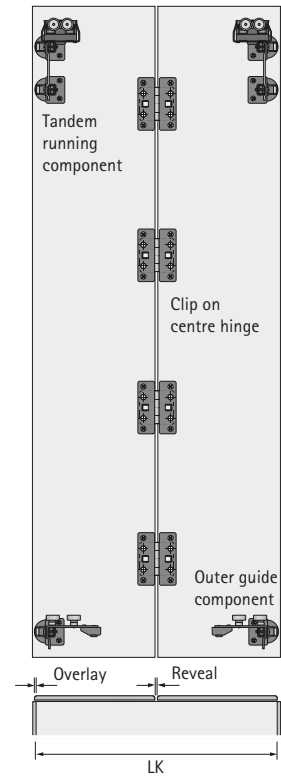
2-wing folding door

Door width 1000 mm max.
 Door weight / wing 25 kg max.
 Door wing height 2400 mm max.

Door wing contours and reveals (as finger protection)



2-wing folding door

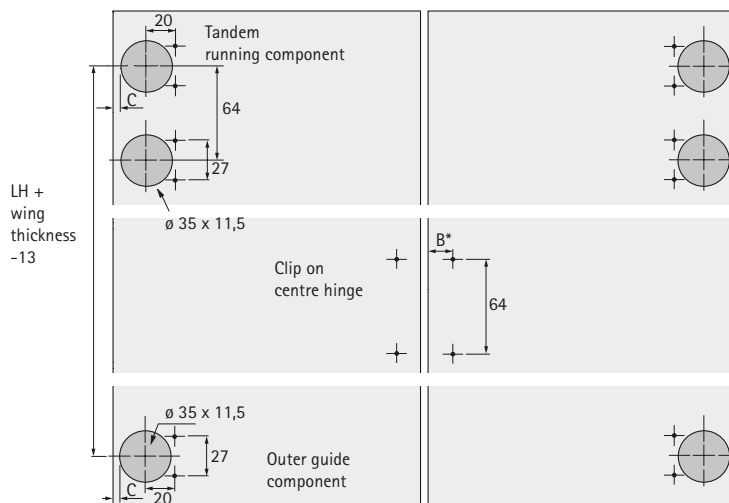


Calculation of door width / door wing width

Door width = inside carcase width + (2 x overlay*)
 Door wing width = (inside carcase width - 1 x reveal + 2 x overlay*) ÷ 2

* Overlay: max. 15 mm, C dimension 6 mm

Drilling patterns



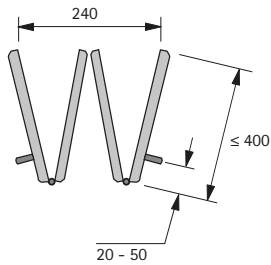
Drill hole spacing * mm	16,5	17	17,5	18	18,5
Reveal mm	5	4	3	2	1

Folding door system

- ▶ Wing 77 / freely moveable
- ▶ Planning dimensions

Installation dimensions for Wing 77 for 1 folding door with 4 leaves

4-wing door set



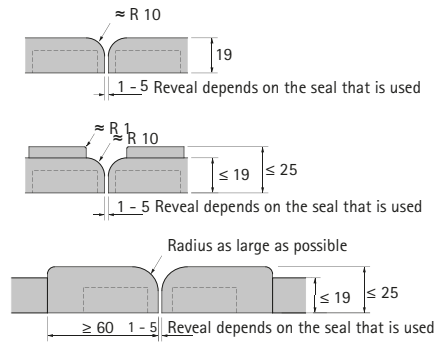
4-wing folding door

Door width 1600 mm max.
 Door weight / wing 20 kg max.
 Door wing height 2400 mm max.

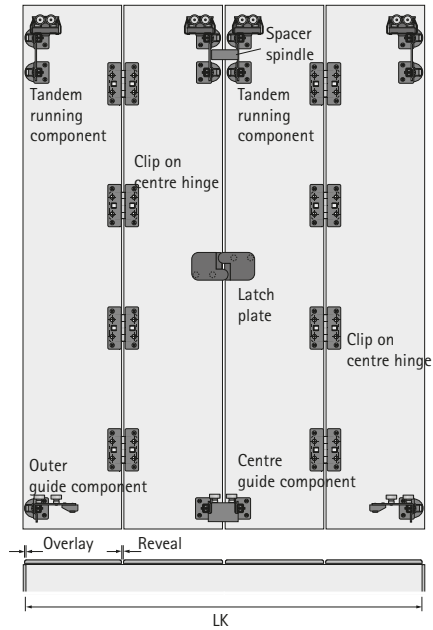
Calculation of door width / door wing width

Door width = inside carcase width + (2 x overlay*)
 Door wing width = (inside carcase width - 3 x reveal + 2 x overlay*) ÷ 2
 * Overlay: max. 15 mm, C dimension 6 mm

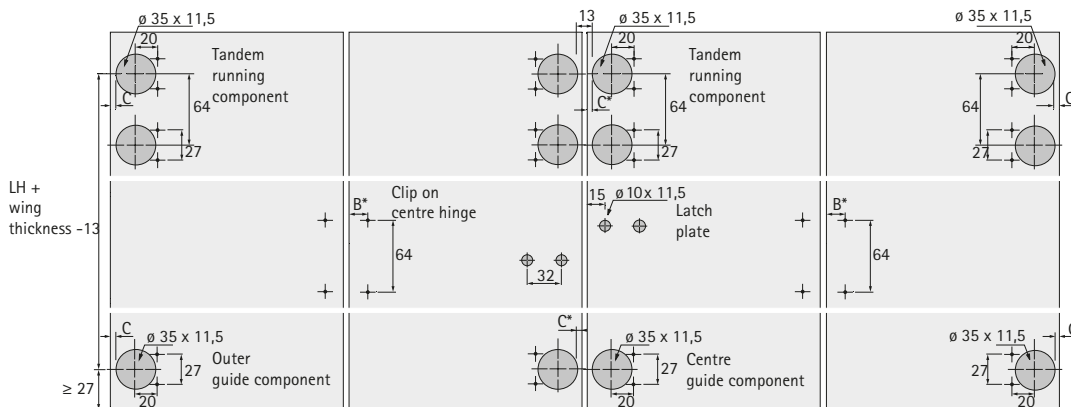
Door wing contours and reveals (as finger protection)



Folding door with 4 wings



Drilling patterns

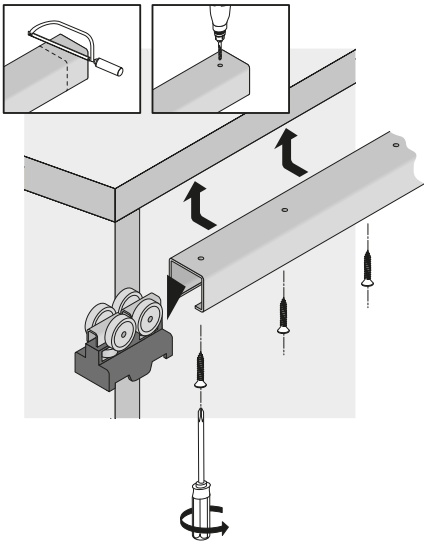


* B drill hole spacing mm	16,5	17	17,5	18	18,5
* C drill hole spacing mm	4	4,5	5	5,5	6
Reveal mm	5	4	3	2	1

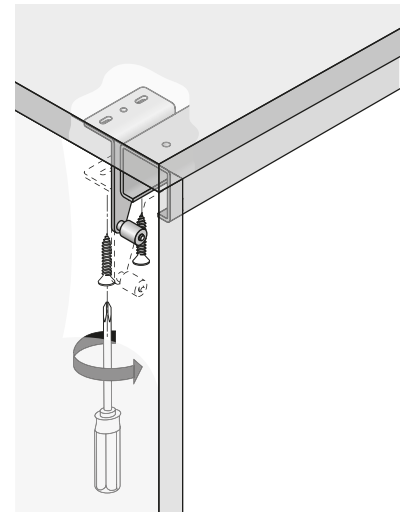
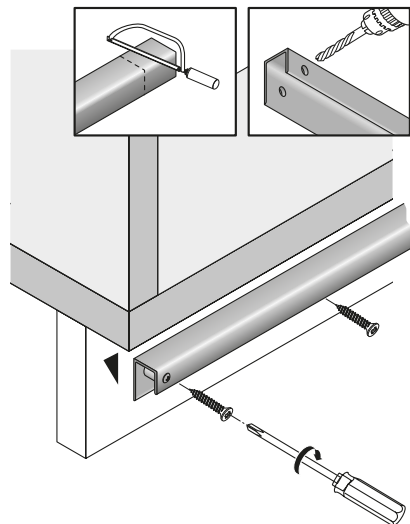
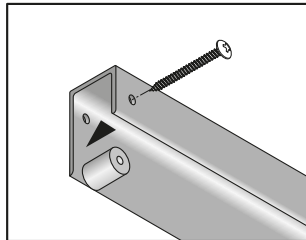
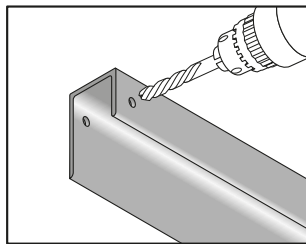
Folding door system

- ▶ Wing 77 / freely moveable
- ▶ Installation

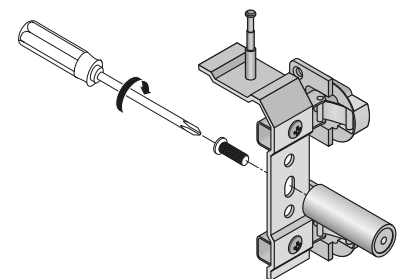
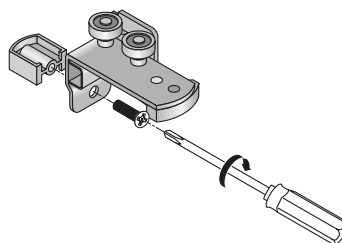
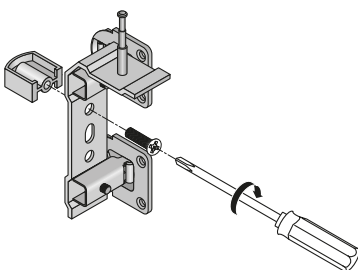
Installation runner profile



Installation runner profile and end stop



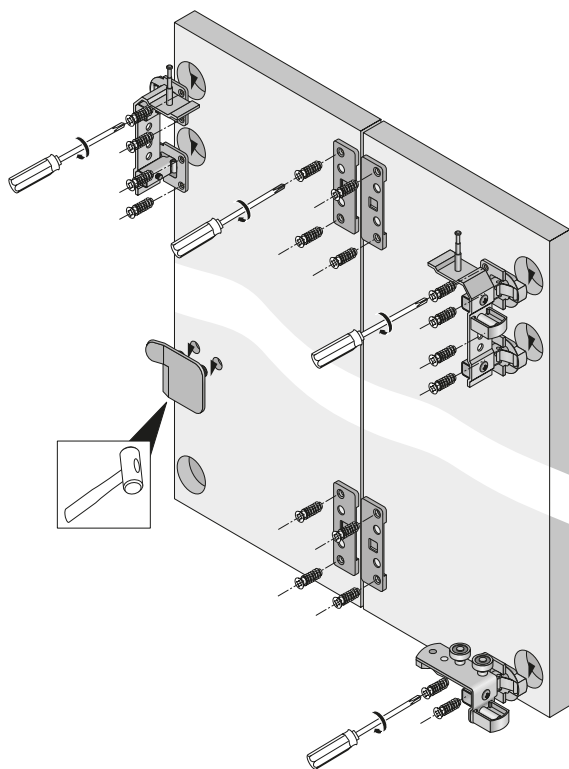
Installation spacers and spacer spindle



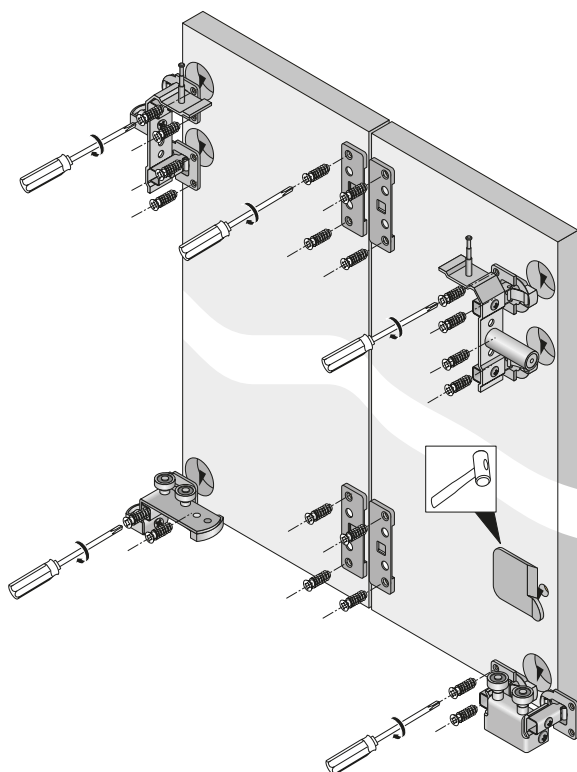
Folding door system

- ▶ Wing 77 / freely moveable
- ▶ Installation

Preparing door set, left



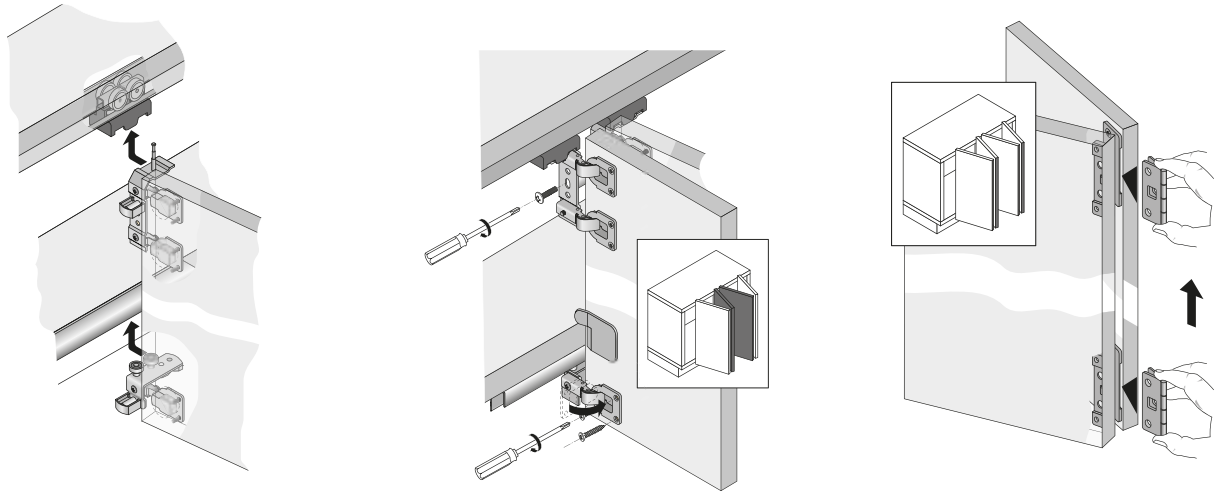
Preparing door set, right



Folding door system

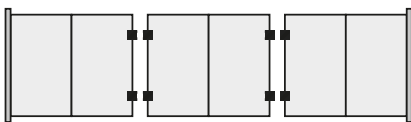
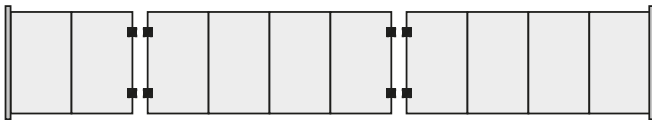
- ▶ Wing 77 / freely moveable
- ▶ Installation

Installation door sets



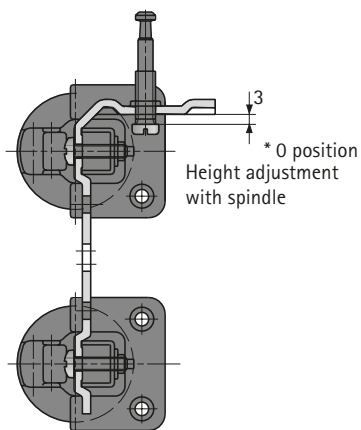
Door combinations

Installation spacers X (reveal is not adjustable) on the running and guide components permits door combinations on uninterrupted runner and guide profiles.



Installation information

Note: installation and removal are only possible in 0-position, i.e. with 3 mm clearance



Folding door systems

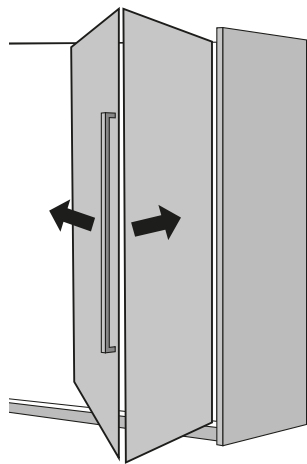
- ▶ Technical information
- ▶ Quality criteria

Quality that meets all the demands

The quality of the sliding door systems is monitored continuously. Hettich fittings comply with the national and international quality standards of the markets our customers operate in. The diagrams below show some of the tests to which Hettich fittings are subjected.

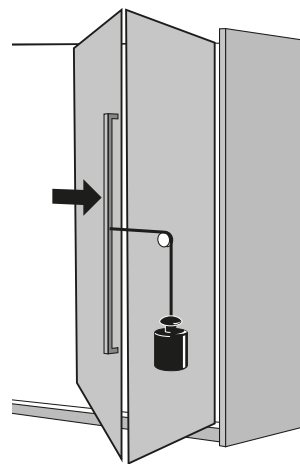
Endurance test

The door must withstand a defined number of opening and closing cycles at a defined speed.



Closing / extension test

The door must withstand a specific number of opening cycles under a defined tensile load.



Adjustment fitting, plastic



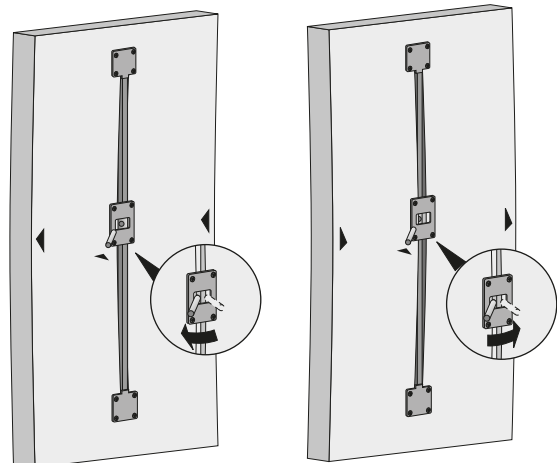
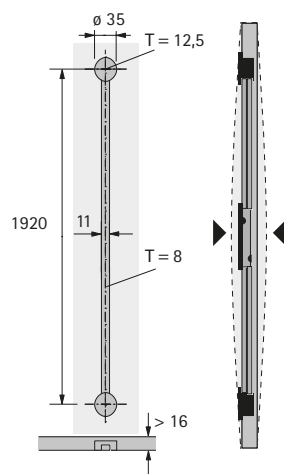
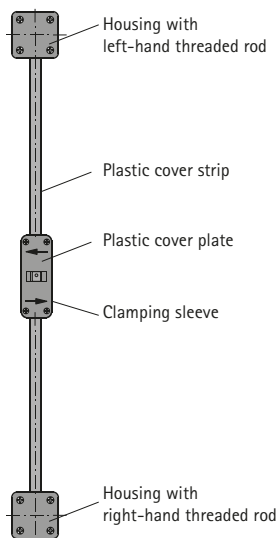
- For straightening distorted furniture doors
- Can also be used as a precautionary measure to prevent doors from warping
- For door / front panel thicknesses from 16 mm
- Maximum door / front panel height 2600 mm
- Installing the fitting is simple and straightforward: a pair of threaded rods, one with a right hand thread and one with a left-hand thread, are fed into a clamping sleeve.
- The threaded rods are each additionally supported in a housing that slots into a 35 mm drilling where it is screwed into place.
- Turning the clamping sleeve produces tensile or compressive force that corrects warping or bowing.
- The housing, clamping sleeve and threaded rods are covered to prevent damage to wardrobe and laundry
- The adjustment fitting can also be used horizontally
- It is recommended that 2 vertical adjustment fittings are installed near the outer edge. On large, wide doors, 2 horizontal fittings can be used instead or in addition

Set comprises:

- 1 housing with right hand threaded rod
- 1 housing with left-hand threaded rod
- 1 clamping sleeve
- 1 plastic cover plate
- 2 plastic cover strips
- 2 retainers for cover strips

Order no.	PU
0 045 198	2 set

Technical information



Folding and sliding door systems

- ▶ Technical information
- ▶ Calculating door weights

Weight table for chipboard 19 mm

Door weight in kg (density = 700 kg/m³)

Door height mm	Door width mm														
	300	400	500	600	700	800	900	1000	1100	1200	1300	1400	1600	1800	2000
300	1,2	1,6	2,0	2,4	2,8	3,2	3,6	4,0	4,4	4,8	5,2	5,6	6,4	7,2	8,0
400	1,6	2,1	2,7	3,2	3,7	4,3	4,8	5,3	5,9	6,4	6,9	7,5	8,5	9,6	10,6
500	2,0	2,7	3,3	4,0	4,7	5,3	6,0	6,7	7,3	8,0	8,7	9,3	10,6	12,0	13,3
600	2,4	3,2	4,0	4,8	5,6	6,4	7,2	8,0	8,8	9,6	10,4	11,2	12,8	14,4	16,0
700	2,8	3,7	4,7	5,6	6,6	7,5	8,4	9,3	10,2	11,2	12,1	13,0	14,9	16,8	18,6
800	3,2	4,3	5,3	6,4	7,5	8,5	9,6	10,6	11,7	12,8	13,8	14,9	17,0	19,2	21,3
900	3,6	4,8	6,0	7,2	8,4	9,6	10,8	12,0	13,2	14,4	15,6	16,8	19,2	21,6	23,9
1000	4,0	5,3	6,7	8,0	9,3	10,7	12,0	13,3	14,6	16,0	17,3	18,6	21,3	23,9	26,6
1100	4,4	5,9	7,3	8,8	10,2	11,7	13,2	14,6	16,1	17,6	19,0	20,5	23,4	26,3	29,3
1200	4,8	6,4	8,0	9,6	11,2	12,8	14,4	16,0	17,6	19,2	20,8	22,3	25,5	28,7	31,9
1300	5,2	6,9	8,7	10,4	12,1	13,8	15,6	17,3	19,0	20,8	22,5	24,2	27,7	31,1	34,6
1400	5,6	7,5	9,3	11,2	13,0	14,9	16,8	18,6	20,5	22,3	24,2	26,1	29,8	33,5	37,2
1600	6,4	8,5	10,7	12,8	15,0	17,0	19,2	21,3	23,4	25,6	27,7	29,8	34,1	38,3	42,6
1800	7,2	9,6	12,0	14,4	16,8	19,2	21,6	24,0	26,3	28,7	31,1	33,5	38,3	43,1	47,9
2000	8,0	10,6	13,3	16,0	18,6	21,3	23,9	26,6	29,3	31,9	34,6	37,2	42,6	47,9	53,2
2200	8,8	11,7	14,6	17,6	20,5	23,4	26,3	29,3	32,2	35,1	38,0	41,0	46,8	52,7	58,5
2400	9,6	12,8	16,0	19,2	22,3	25,5	28,7	31,9	35,1	38,3	41,5	44,7	51,1	57,5	63,9
2600	10,4	13,8	17,3	20,8	24,2	27,7	31,1	34,6	38,0	41,5	45,0	48,4	55,3	62,2	69,2

Weight table for MDF 19 mm

Door weight in kg (density = 900 kg/m³)

Door height mm	Door width mm														
	300	400	500	600	700	800	900	1000	1100	1200	1300	1400	1600	1800	2000
300	1,5	2,1	2,6	3,1	3,6	4,1	4,6	5,1	5,6	6,2	6,7	7,2	8,2	9,2	10,3
400	2,1	2,7	3,4	4,1	4,8	5,5	6,2	6,8	7,5	8,2	8,9	9,6	10,9	12,3	13,7
500	2,6	3,4	4,3	5,1	6,0	6,8	7,7	8,6	9,4	10,3	11,1	12,0	13,7	15,4	17,1
600	3,1	4,1	5,1	6,2	7,2	8,2	9,2	10,3	11,3	12,3	13,3	14,4	16,4	18,5	20,5
700	3,6	4,8	6,0	7,2	8,4	9,6	10,8	12,0	13,2	14,4	15,6	16,8	19,2	21,6	23,9
800	4,1	5,5	6,8	8,2	9,6	10,9	12,3	13,7	15,1	16,4	17,8	19,2	21,9	24,6	27,4
900	4,6	6,2	7,7	9,2	10,8	12,3	13,9	15,4	16,9	18,5	20,0	21,6	24,6	27,7	30,8
1000	5,1	6,8	8,6	10,3	12,0	13,7	15,4	17,1	18,8	20,5	22,2	23,9	27,4	30,8	34,2
1100	5,6	7,5	9,4	11,3	13,2	15,1	16,9	18,8	20,7	22,6	24,5	26,3	30,1	32,9	37,6
1200	6,2	8,2	10,3	12,3	14,4	16,4	18,5	20,5	22,6	24,6	26,7	28,7	32,8	36,9	41,0
1300	6,7	8,9	11,1	13,3	15,6	17,8	20,0	22,2	24,5	26,7	28,9	31,1	35,6	40,0	44,5
1400	7,2	9,6	12,0	14,4	16,8	19,2	21,6	23,9	26,3	28,7	31,1	33,5	38,3	43,1	47,9
1600	8,2	10,9	13,7	16,4	19,2	21,9	24,6	27,4	30,1	32,8	35,6	38,3	43,8	49,3	54,7
1800	9,2	12,3	15,4	18,5	21,6	24,6	27,7	30,8	33,9	36,9	40,0	43,1	49,3	55,4	61,6
2000	10,3	13,7	17,1	20,5	23,9	27,4	30,8	34,2	37,6	41,0	44,5	47,9	54,7	61,6	68,4
2200	11,3	15,5	18,8	22,6	26,3	30,1	33,9	37,6	41,4	45,1	48,9	52,7	60,2	67,7	75,2
2400	12,3	16,4	20,5	24,6	28,7	32,8	36,9	41,0	45,1	49,3	53,4	57,5	65,7	73,9	82,1
2600	13,3	17,8	22,2	26,7	31,1	35,6	40,0	44,5	48,9	53,4	57,8	62,2	71,1	80,0	88,9

Folding and sliding door systems

- ▶ Technical information
- ▶ Calculating door weights

Adjustment to different material thicknesses

The table entries refer to 19 mm thick material.
The table entries must be multiplied by a factor in order to adjust to material of different thickness.

Material thickness mm	Factor
15	0,79
16	0,84
18	0,95
19	1,00
20	1,05
22	1,16
23	1,21
26	1,37
29	1,53

Formula for conversion

Door weight = weight for door in thickness of 19 mm from table above x factor

Example

Chipboard door

H x W x D = 2000 x 1800 x 16

Weight shown in table for this door size, but material in a thickness of 19 mm = 47.9 kg

Convert to 16 mm door thickness using factor of 0.84 as shown in table on left

Door weight = 47.9 kg x 0.84 = 40.2 kg

Calculating weights of doors in alternative door materials

Density of various materials in kg/m³

Material	Density kg/m ³
Acrylic glass	1200
Aluminium	2700
Balsa wood	120
Concrete	2400
Lead	11300
Iron	7800
Gypsum plasterboard	900
Glass	2600
Hardboard	1000
Hardwood, wet (beech)	900
Hardwood, dry (beech)	800
Cork	300

To calculate the weight of doors in alternative door materials, the specific density of the door material must be taken into consideration.

Example

Door made of acrylic glass with a density of 1200 kg/m³
Door height: 2000 mm, door width: 1800 mm, material thickness: 6 mm

$$\text{Door weight [kg]} = \text{Height [m]} \times \text{Width [m]} \times \text{Material thickness [m]} \times \text{Density [kg/m}^3\text{]}$$

25,9 kg = 2 x 1,8 x 0,006 x 1200

Order number index

Order no.	Page	Order no.	Page	Order no.	Page	Order no.	Page	Order no.	Page
0 010 083	112	9 115 955	70	9 206 310	19	9 209 280	43	9 237 902	94
0 010 084	112	9 118 477	71	9 206 311	11	9 209 283	43	9 237 903	94
0 025 120	72	9 119 584	71	9 206 311	15	9 209 400	43	9 237 904	93
0 025 121	72	9 119 585	71	9 206 313	19	9 209 403	43	9 237 905	93
0 045 198	136	9 119 586	71	9 206 483	10	9 209 405	43	9 237 906	93
0 046 787	120	9 119 587	71	9 206 483	14	9 227 006	60	9 237 917	96
0 052 095	112	9 136 109	71	9 206 483	18	9 227 183	59	9 237 990	96
0 052 095	120	9 140 438	20	9 206 500	10	9 227 186	59	9 238 051	95
0 061 546	72	9 156 338	40	9 206 500	14	9 227 188	59	9 238 052	95
0 070 956	120	9 156 339	40	9 206 500	18	9 227 245	58	9 238 053	95
0 070 959	120	9 169 637	12	9 206 502	10	9 227 246	58	9 238 101	95
0 070 985	129	9 169 637	16	9 206 502	14	9 227 326	97	9 238 102	95
0 070 986	128	9 169 638	13	9 206 502	18	9 229 154	60	9 238 113	95
0 070 987	128	9 169 640	17	9 206 505	14	9 229 240	60	9 238 114	95
0 071 111	22	9 169 651	12	9 206 505	18	9 229 241	60	9 238 115	95
0 071 117	22	9 169 651	16	9 206 506	10	9 229 243	60	9 238 116	95
0 071 648	120	9 169 653	20	9 206 506	18	9 236 460	98	9 238 117	95
0 072 919	120	9 169 654	12	9 206 508	11	9 236 461	98	9 238 118	95
0 079 013	112	9 169 655	16	9 206 508	15	9 236 926	97	9 238 119	96
0 079 015	112	9 169 656	20	9 206 508	19	9 237 039	97	9 238 120	96
1 072 987	112	9 184 566	41	9 209 166	42	9 237 710	97	9 238 121	96
1 072 988	112	9 186 075	23	9 209 218	42	9 237 711	97	9 238 122	96
1 076 849	112	9 190 925	23	9 209 222	42	9 237 758	98	9 238 123	96
1 079 090	72	9 193 574	129	9 209 224	42	9 237 852	92	9 238 124	96
9 115 216	60	9 199 769	13	9 209 226	42	9 237 880	92	9 238 125	95
9 115 216	72	9 199 769	17	9 209 231	42	9 237 881	92	9 244 904	96
9 115 217	70	9 199 769	21	9 209 268	43	9 237 882	93	9 244 905	96
9 115 218	72	9 201 921	40	9 209 271	43	9 237 890	92		
9 115 219	70	9 206 309	11	9 209 273	43	9 237 900	94		
9 115 954	70	9 206 309	15	9 209 278	43	9 237 901	94		

We are improving our environmental performance – as proven by EMAS, the world's most stringent environmental management system.



Our corporate principles include taking responsibility for preserving the natural basis of life. This is where we regard statutory provisions as minimum requirements. Over and above meeting statutory requirements, it is imperative for all members of staff to act in a way that conserves energy and resources in their own particular work environment in order to overcome the global ecological challenges of the near future. In the same way, using energy and resources efficiently also plays a key part in maintaining our competitive edge.

The group wide Environmental Department was established back in 1992, with its sustainability principles of environmental protection and occupational health and safety having consistently set the framework for leading the company group forward in this direction since 1993. Introduced in 1996, the environmental management systems complying with the European EMAS Regulation (Eco Management and Audit Scheme), including ISO 14.001, are of central importance in this context. These implemented a targeted approach to identifying and realising the potentials for using energy and resources in an efficient manner as well as to ensuring conformity with the law. The results are nothing short of impressive.

Environmentally friendly projects

Innovative projects are the mark of our approach to environmental management. For instance, the primary-energy requirement of our new production facilities is up to 75% below the specifications demanded in building legislation. The exemplary, consistent use of wood-based materials in constructing our commercial buildings puts us on the forefront of using resource-conserving, renewable building materials that take enormous quantities of climate-damaging CO₂ out of the atmosphere while they are growing.

Since 2015, we have been trying out three new vehicles, each employing different propulsion systems, to test the practical suitability of electric mobility in a variety of usage situations. At our Indian production plant, heavy metals are absorbed from concentrated waste water using an innovative method that involves living algae. At our factory in China, a solar-powered system provides staff accommodation and the canteen with hot water.

Success stories

Between 1997 and 2015, for example, we have managed to reduce environmental pollution from manufacturing our drawer runners and drawer systems at the Kirchlengern-Bünde production facility as follows:

- ▶ **Specific water consumption** 45 %
- ▶ **Specific power consumption** 10 %
- ▶ **Specific heat consumption** 73 %
- ▶ **Specific CO₂ emission** 30 %

Numerous awards reflect our commitment to the environment. In 2009, the European Commission gave our zero-energy Hettich Forum building the Green Building Award at national level. In 2016, we won the sustainability prize from the East Westphalian Business Environment Foundation for an environment education project carried out over 20 years.

Technik für Möbel



www.hettich.com

Order no. 9 189 892
1709-025_Sliding-Folding_12/17_HAU/en

Hettich Australia
1 Herbert Place
Smithfield 2164, Sydney
Phone: (02) 9616 7700
Free Phone: 1800 687 789
Fax: (02) 9616 7778
Free Fax: 1800 150 129
sales@hettich.com.au
hettich.com.au

Technik für Möbel


Hettich