



GAS

5 ★
ENERGY

RATING

1-3

BATHROOM

18-26
L/MIN

CAPACITY

10
YEAR

WARRANTY



CONTINUOUS FLOW GAS HOT WATER

INSTALL A RHEEM®



CONTINUOUS FLOW GAS HOT WATER

Rheem is Australia's favourite name in hot water and the name Australians have trusted for generations

CONTINUOUS FLOW MEANS HOT WATER WHEN YOU NEED IT

Continuous Flow water heaters deliver an endless supply of hot water that will never run out because they heat water when you need it, and for as long as you need it.

Continuous Flow water heaters work differently to traditional storage water heaters, only heating on demand rather than heating water and storing it until needed. And being 5 Star energy efficient they are good for the environment.

In some states, homeowners switching from an electric to gas water heater can be eligible for Government rebates; check with your installer for more details.

Continuous Flow water heaters mount conveniently to the wall taking up less space, ideal for a compact home site, apartment or a tight spot.

CHOOSING THE RIGHT CAPACITY RHEEM FOR YOUR HOME

As your Rheem will be serving you for many years, it's important it be the right capacity to meet your needs both now and as your family grows. Continuous Flow water heaters are most often measured by the number of litres of hot water per minute they can deliver, typically when heated 25°C above the temperature of the water supply (in most cases a 25°C rise is used for the average hot shower). If hotter water is required or several taps require hot water at the same time, the flow of water may be affected. So it's important to select the model that delivers the volume your home needs. Rheem Continuous Flow offers flow rates to suit every size home.

Factors to consider in determining your hot water needs:

- **How many bathrooms are in your home, or people using hot water at the same time?**
- **How many adults and children live in the home (teenagers will use more hot water than young children)?**
- **Are dishwashers or washing machines connected, will they use hot water at the same time?**
- **Will a large bathtub or spa-tub be filled using hot water?**

Your needs will depend upon climate, water pressure, and the size of your family. The following guide can assist you in selecting the right Rheem model for your home.

Model	Rheem 18	Rheem 22	Rheem 26
Hot Water Flow Rate (at 25°C Temp Rise) ¹	18L/Min	22L/Min	26L/Min
No. of Bathrooms Moderate Climate	1.5	2	3
Cool Climate	1	1.5	2



WHY RHEEM CONTINUOUS FLOW?

- **5 Star energy rating** – Rheem Continuous Flow water heaters are 5 Star energy efficient, which not only saves you money, it's good news for the environment.
- **Designed for Australia's tough conditions**, combining International expertise with over 60 years of experience in Australia.
- **10 Year warranty³**
- **Flamesafe[®] overheat protection**, which automatically shuts down your heater should a gas fault occur.
- **Electronic temperature controllers** – individually controlled safety settings for hot water for the kitchen and bathroom.
- **Family safety** – electronic control means accurate and reliable water temperature, to reduce the risk of accidental scalding.
- **Factory pre-set 50°C models available**, requiring no tempering valve.²
- **Sizes to suit every home, apartment or family** – 18L, 22L and 26L/Minute flow rates.
- **Full technical support** and Rheem's National Service Network.
- **Compact size** – for maximum flexibility in design to suit every installation (houses, apartments and units).
- **Available to suit either Natural gas or Propane** – so you can install Rheem wherever you live.
- **Built-in self diagnostics** for easy fault finding.



You can be confident Rheem represents the best in design, performance and reliability

YOU'RE IN CONTROL

Rheem delivers maximum safety by putting you in control of the hot water in your home. Rheem Standard and Deluxe Electronic Temperature Controllers are optional on all models allowing you to choose the exact temperature you need and to guard the young (or not so young) against scalding. Rheem bathroom controllers can be set to temperatures from 37°C to 50°C. Rheem kitchen controllers can be set up to 60°C if required, delivering the hottest water to kitchens and laundries. Deluxe Controllers also offer a "bath fill" mode, which turns off the water flow once the bath is filled – at exactly the temperature you have selected.



DESIGNED TO DISAPPEAR

Your Rheem Continuous Flow water heater can be neatly hidden away to save even more space:

Pipe Covers in matching colour will conceal all pipework.

Recess Boxes will set your Rheem into the wall. Rheem's padlock security feature will also help protect the heater.



RHEEM 18



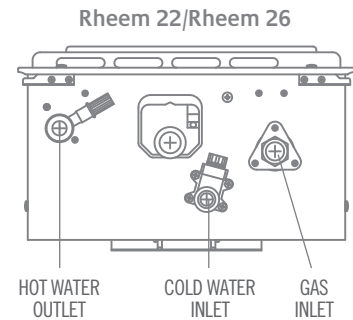
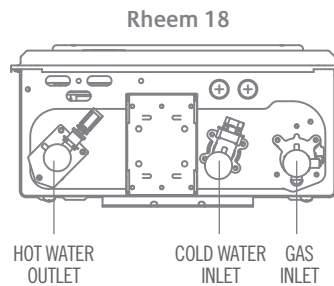
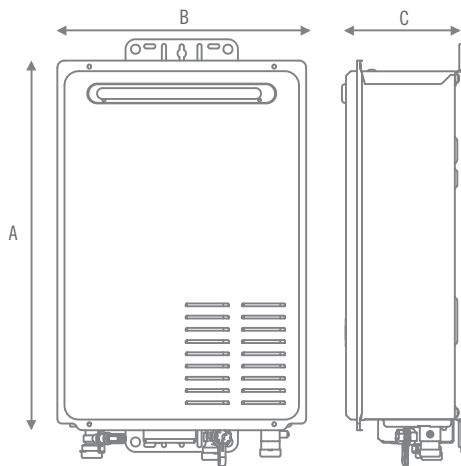
RHEEM 22 WITH PIPE COVER



RHEEM 26 WITH RECESS BOX

RHEEM SPECIFICATIONS

	Rheem 18		Rheem 22		Rheem 26	
Model Number	876018NF/PF	874018NF/PF	875022NF/PF	871022NF/PF	875026NF/PF	871026NF/PF
Maximum Temperature	50	60	50	60	50	60
Number of Bathrooms	1 – 1.5		1.5 – 2		2 – 3	
Gas Type	Natural gas/Propane		Natural gas/Propane		Natural gas/Propane	
AGA Energy Rating	5.0 Stars		5.1 Stars		5.2 Stars	
Flow Rate L/Min at 25°C rise	18L/Min		22L/Min		26L/Min	
Minimum Operating Flow Rate	2.7L/Min		2.7L/Min		2.7L/Min	
Nominal Gas Consumption	140 Mj/Hr		188 Mj/Hr		199 Mj/Hr	
Dimensions						
A - Height mm	520		565		565	
B - Width mm	350		350		350	
C - Depth mm	160		205		205	
Weight (empty)	18kg		21kg		21kg	
Max. Water Supply Pressure	1000kPa		1000kPa		1000kPa	
Min. Water Supply Pressure	140kPa		140kPa		140kPa	
Cold Water Connection	R ¾ / 20		R ¾ / 20		R ¾ / 20	
Hot Water Connection	R ¾ / 20		R ¾ / 20		R ¾ / 20	
Gas Connection	R ¾ / 20		R ¾ / 20		R ¾ / 20	
Temperature Controllers						
Kitchen	299850		299850		299850	
Bathroom 1	299851		299851		299851	
Bathroom 2	299852		299852		299852	
Deluxe Temperature Controllers						
Kitchen	299858		299858		299858	
Bathroom 1	299859		299859		299859	
Bathroom 2	299860		299860		299860	
Accessories						
Pipe Cover	299841		299848		299848	
Recess Box	299842		299842		299842	



GLOSSARY OF TERMS

Continuous Flow / Instantaneous – alternative names for gas continuous flow water heaters, which are typically electronically controlled and fan forced for improved performance and temperature control.

Flow Rate – a measure of the volume of water a continuous flow water heater can deliver at a nominated temperature rise above the incoming water temperature, most often quoted in the range of 10-26 litres per minute.

Propane – correct name for Liquefied Petroleum Gas for domestic use, sometimes referred to as LPG. Some areas in Australia are supplied with Butane instead of Propane; if unsure contact your gas supplier.

Flamesafe® – A unique Rheem safety protection feature that automatically shuts down the Rheem Continuous Flow water heater should a fault develop.

- 1 Guide only, subject to ambient water temperature and pressure, correct pipe sizing and appliance flow rates.
- 2 50°C factory pre-set models supply hot water at a maximum 50°C at all outlets in accordance with AS3498. Some applications may require tempering, refer to AS3500.4. 60°C models must have a tempering valve installed in accordance with AS3500.4.
- 3 Warranty: 10 year Parts & Labour on Heat Exchanger, 3 year Parts & Labour warranty on all other components, for Domestic (Non-commercial) installations only.

© Registered Trademark of Rheem Australia Pty Ltd.

TM Trademark of Rheem Australia Pty Ltd.

Rheem Australia Pty Ltd, 1 Alan St, Rydalmere, NSW 2116 Australia.

Materials and specifications are subject to change without notice.