

BRITEX 800 CERAMIC CARE SUITE

BACK TO WALL



Only S Trap Connector Supplied
Suited to P Trap (by others)



features and benefits

- Disabled compliant to AS1428 standards
- Simple and stylish contemporary design
- Supplied with grey toilet seat
- Gently rounded edges
- Suited to both P trap and S trap (only a S trap connector supplied)
- Suited to a wide range of applications

about

The *Britex 800 Ceramic Back to Wall Care Toilet Suite* is at suitable disabled height and supplied with a toilet seat to suit disabled compliancy to AS1428 standards. Key to the design is a sturdy rectangular ceramic form complete with gently rounded corners giving it a seamless soft feel ideally suited but not limited to domestic and hospitality bathrooms.

sample spec. text

BRITEX 800 Ceramic Back to Wall Care Toilet Suite - 375x830x800mm. Complete with Disabled Compliant Toilet Seat - Product Code BSW-BT WCS-800

*RED TEXT may denote a **variable** where one option only is to be selected, a **nominal dimension** that needs to be specified, or an **optional feature** that can be removed if not required. Please refer to the back of this page for additional specification details and options.

VISIT BRITEX.COM.AU TO DOWNLOAD BIM FILES, CAD DRAWINGS AND THE MOST CURRENT PRODUCT LITERATURE.



MELBOURNE
Britex Place, Mirra Crt
Bundoora VIC 3083
t (03) 9466 9000
f (03) 9466 9011

SYDNEY
16 Northumberland Drv
Taren Point NSW 2229
t (02) 9531 2100
f (02) 9531 2800

PERTH
Unit 1/8 Principal Link
Malaga WA 6090
t (08) 9249 5464
f (08) 9248 6893

BRISBANE
19 Manilla St
East Brisbane QLD 4169
t (07) 3363 2400
f (07) 3363 2444

ADELAIDE
The Britex Group
SA State Office
t 1300 764 744
f 1300 784 306

britex.com.au | info@britex.com.au | A.B.N 83 004 309 737

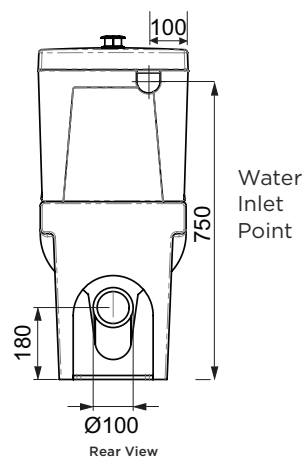
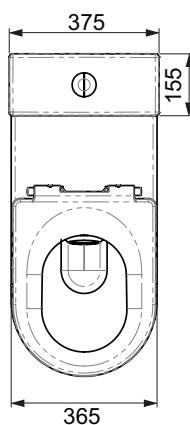
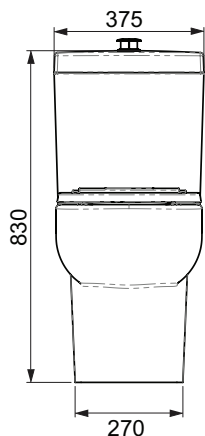
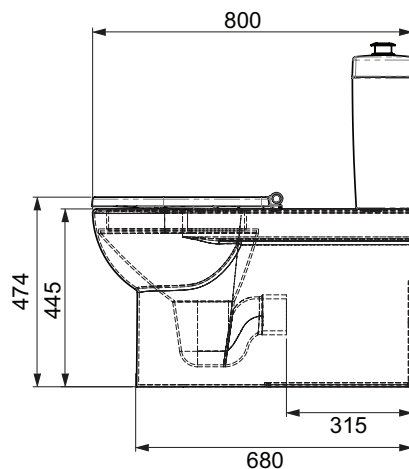
BRITEX 800 CERAMIC CARE SUITE

BACK TO WALL

PRODUCT CODE

BSW-BTWCS-800

S Trap Connector Kit



* All drawings contain the necessary measurements which are subject to standard tolerances. They are stated in mm and are non-binding. Exact measurements, in particular for customised installation scenarios, can only be taken from the finished ceramic piece.

specifying
guide

When specifying this product please include:

- Product **Name** and **Code**
- Product **Dimensions**

VISIT BRITEX.COM.AU TO DOWNLOAD BIM FILES, CAD DRAWINGS AND THE MOST CURRENT PRODUCT LITERATURE.



Due to ongoing research and our commitment to product development, details are subject to change without notice. Details accurate at time of print. Please refer to britex.com.au for the most current product information. Allow +/- 5mm tolerance for dimensions and setouts shown in product literature.

britex.com.au | info@britex.com.au | A.B.N 83 004 309 737

