



## The AVENTOS HK series

Applications and order specification





## Contents

- 4 AVENTOS HK series
- 6 AVENTOS HK
- 8 AVENTOS HK-S
- 10 AVENTOS HK-XS
- 12 AVENTOS lift systems
- 14 Technology
- 18 Design
- 20 Practical kitchens
- 22 Application ideas
- 28 Assembly and installation
- 34 Programme overview
- 36 Ordering and planning
- 45 Assembly
- 54 Blum



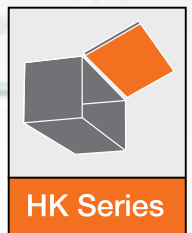
> View the  
AVENTOS range



# The AVENTOS HK series

AVENTOS lift systems inspire and bring ease of motion to any wall cabinet by combining high functionality with a simple yet elegant design. The complete range of AVENTOS fulfils the many different design and functional demands placed on wall cabinets in kitchens and living areas throughout the home. Included in the AVENTOS range is a selection of stay lift applications; the AVENTOS HK-series.

 **blum**



**AVENTOS HK**  
Stay lift



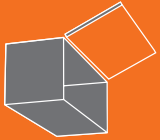
**AVENTOS HK-S**  
Small stay lift



**AVENTOS HK-XS**  
Compact stay lift

# AVENTOS HK

AVENTOS HK is Blum's state-of-the-art stay lift that is best suited to wall cabinets of small to medium height in high cabinet applications. AVENTOS HK lifts open with a fluid and effortless movement. Its high functionality and simple yet elegant design inspires.



**blum**



### Effortless opening

Even large, wide and heavy fronts open with great ease.



### Sophisticated fitting - high quality

Stay lift mechanism with a robust spring package and integrated BLUMOTION soft-close.



### Cover caps

Once installed, the AVENTOS HK fitting is neatly concealed with cover caps available in a white or grey finish.



# AVENTOS HK-S

AVENTOS HK-S is the perfect choice for wall cabinets of small height in high cabinet applications such as over the fridge or pantry. AVENTOS HK-S lifts open and closes with a smooth and graceful movement. The neat and tidy fitting integrates harmoniously into small pieces of furniture, making the best use of storage space.



 **blum**





→ AVENTOS HK-S  
→ AVENTOS HK

#### Harmonious proportion

AVENTOS HK-S offers all the benefits of AVENTOS HK for smaller wall cabinets.



#### Small fitting - high quality

Stay lift mechanism with a robust spring package and integrated BLUMOTION soft-close.

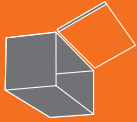


#### Cover caps

Once installed, the AVENTOS HK-S fitting is neatly concealed with cover caps available in a white finish.

# AVENTOS HK-XS

AVENTOS HK-XS is a compact stay lift fitting with a sleek and narrow design. It is ideally suited for applications in high wall cabinets with low heights and shallow internal depth. AVENTOS HK-XS lifts open and closes with a seemingly weightless movement. AVENTOS HK-XS offers an economical solution whilst featuring the familiar AVENTOS quality of motion.



 **blum**



## **Compact fitting high quality**

The core element of the compact fitting is a robust spring package ensuring high stability and durability.



### Silent closing

AVENTOS HK-XS is combined with CLIP top BLUMOTION hinges for silent and effortless closing.



### Handle-less designs

For handle-less designs combine AVENTOS HK-XS with unsprung CLIP top hinges and TIP-ON mechanical support.



### Numerous possibilities

Whether thick wooden fronts or wide aluminium frames, the fixing position always remains the same. This allows different materials and front thicknesses to be easily integrated.



## AVENTOS lift systems

In addition to the AVENTOS HK series, Blum's range of AVENTOS lift systems is complete with a bi-fold, swing and parallel lift application. AVENTOS is the ideal solution for any wall cabinet. Whether used in the kitchen or living area, whether there is lots of space available or only a little and whether it is used with small or large fronts, one thing never changes; the supreme ease of motion.



**blum**



### AVENTOS HF

Bi-fold lift system

- Ideal for high wall cabinets
- Handle is easy to reach, even when the lift system is open
- Takes up minimal space even with large cabinet heights, thanks to the two-part front
- Can be used with fronts of different heights
- Variable stop



### AVENTOS HS

Up and over lift system

- Ideal for large, one part fronts
- Minimal space required thanks to swivel motion
- Can be combined with cornice or crown mouldings
- No hinges required
- Variable stop



### AVENTOS HL

Parallel lift up lift system

- Ideal for tall or wall cabinets with fronts above or recessed cabinets
- Suitable for smaller, one piece and even low fronts
- Easy access to storage items
- No hinges required
- Variable stop



# Gravity defying technology

With AVENTOS, every wall cabinet opens effortlessly. Even wide and heavy fronts only require light operating forces. The variable stop ensures the front or handle is always within reach and closing is always silent and effortless thanks to BLUMOTION soft-close.

 blum®



## Robust spring package

The core element of all AVENTOS mechanisms is robust spring package. No gas is used.



### Symmetrical design

The symmetrical design of the AVENTOS lift mechanism allows the unit to be used on the left and right side of the cabinet.



### Functional convenience

With AVENTOS the variable stop allows the lift system to remain in any desired position and is always within easy reach.



### Assured stability

Front fixing brackets together with the AVENTOS lift mechanism technology assures stability and durability for the lifetime of the furniture.





## Impressive ease of use

Quality is the driving force behind the development and manufacturing of Blum products. AVENTOS lift systems open, move and close effortlessly making furniture easier to operate and provides a higher level of practicality and comfort.

 **blum**



### BLUMOTION

BLUMOTION soft-close technology is integrated into the lift mechanism and adapts itself to the weight and speed of the closing furniture.

NB: BLUMOTION soft-close is not integrated in the AVENTOS HK-XS stay lift. For silent and effortless closing combine with CLIP top BLUMOTION hinges.



### SERVO-DRIVE

With SERVO-DRIVE electrical motion support, a light touch on the front opens the lift system. A special feature of SERVO-DRIVE for AVENTOS is that closing is easy with the press of a button.

NB: AVENTOS HK-S and AVENTOS HK-XS are not compatible with SERVO-DRIVE for AVENTOS. For handle-less designs TIP-ON for stay lifts is available.



### TIP-ON

TIP-ON mechanical opening support provides functional opening comfort for handle-less designs. A gentle push on the front is all that is required for opening.

NB: TIP-ON mechanical opening support is not compatible with BLUMOTION soft-close. To close simply press shut.





**Variety of front material**

Front fixing brackets are available for wooden fronts and wide and narrow aluminium frames.

# Freedom of design

AVENTOS stay lifts also offer a number of planning and design benefits for wall cabinets of small to medium height in the kitchen and throughout the home. Replacing doors with lift systems ensures alignment with handle-less furniture design trends and continues the clean, horizontal lines from base cabinets to overhead cabinets.

 blum®



## Flexible dimensions

Regardless of whether there is a little or a lot of space, wall cabinet widths and heights are flexible to the space available.



## Planning freedom

The stay lift opening function requires minimal space above the cabinet. This provides more design freedom for applications such as cabinets with cornices and bulkheads.



## Living areas

AVENTOS lift systems are ideal for all wall cabinets throughout the home such as in the office, bathroom or entertainment units.



# Practical kitchens

Well designed products like AVENTOS lift systems bring high levels of functionality to every kitchen. What makes AVENTOS especially practical is that it offers the furniture user full freedom of movement and provides the necessary cabinet access at all times, a great advantage over doors.

 blum®



Ideas from Blum  
for practical kitchens

## Blum's ideas for practical kitchens

A kitchen has to be fit for everyday use. That's why Blum has been researching the requirements of kitchen users for years. In this way, new ideas for making modern kitchens even more practical are constantly being generated as part of DYNAMIC SPACE. More information can be found at [www.blum.com](http://www.blum.com)





### **Uninterrupted workflows**

With AVENTOS, the front moves up, taking it right away from the work area. This makes the cabinet contents easy to access at all times. No more ducking and weaving around cupboard doors.

### **Space optimisation**

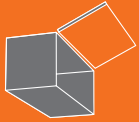
Wall cabinets with lift systems are flexible with regard to size. AVENTOS lift mechanisms take up minimal cabinet space. The optimum cabinet size depends on the room layout and individual storage space requirements.

### **Top quality motion**

AVENTOS lift systems open and close effortlessly thanks to the integrated robust spring package, variable stop and BLUMOTION soft-close increasing comfort in the kitchen. Combined with an opening support system for superior quality of motion and enhances user convenience.

# Application ideas for AVENTOS HK

The small AVENTOS HK programme of four mechanisms offers a multitude of planning and design options for wall cabinets. Combine AVENTOS HK with SERVO-DRIVE electrical motion support for handle-less designs and enhanced user convenience. Alternatively, AVENTOS HK can be combined with TIP-ON mechanical opening support.



**blum**





### Wide, heavy fronts

Clear minimalist lines can be created using one front for two cabinets. An additional lift mechanism can be used to support wide, heavy fronts.



### Mitred and rebated applications

With a minor positional adjustment, AVENTOS HK can be used for designs with mitres or rebates.



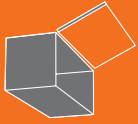
### Home applications

AVENTOS HK is suitable for any wall cabinet throughout the home such as the home office.



# Applications for AVENTOS HK-S

The small AVENTOS HK-S programme of three lift mechanisms offers a variety of design options. AVENTOS HK-S enhances user convenience with small and light stay lift applications.



**blum**



## Small cabinets

AVENTOS HK-S is also suitable for use in small cabinets throughout the kitchen such as above the wall oven.



## Handle-less designs

Handle-less designs possible when combined with TIP-ON mechanical opening support.





# Application ideas for AVENTOS HK-XS

The compact design of the AVENTOS HK-XS means that cabinets with small internal depths can be equipped easily. The symmetrical lift mechanism can be used on one or both sides for the widest range of applications and a high level of design freedom.



**blum**



NB: AVENTOS HK-XS is not suitable for bar (downwards) lift systems.

### Large, heavy fronts

Wide and heavy fronts can be used when the lift mechanism is installed on both sides of the cabinet.



### Above the rangehood

Thanks to the smallest installation depth, it is possible with AVENTOS HK-XS to make optimal use of the space above the rangehood.



### Bathroom applications

Wall cabinets with small internal depths are also ideal for use in bathroom wall cabinets. Toiletries can be stored out of sight and remain easily accessible.



## Simple and convenient assembly

Installation and assembly of AVENTOS HK and AVENTOS HK-S is quick and easy. No hinges are required. The symmetrical lift mechanism with no protruding parts together with CLIP technology and INSERTA boss assembly optimises manufacturing time.

 **blum**



Thanks to special manufacturing devices and templates, the AVENTOS lift system can be assembled and installed precisely and efficiently depending on your needs.



### CLIP technology

The symmetrical front fixing bracket and CLIP technology enables tool-free front assembly to the mechanism.



### Precise gap

Fronts can be adjusted in 3 dimensions (height, side, tilt) to achieve a precise gap alignment.



### Fine adjustment

The lift mechanism can be adjusted to the respective door weight using a cordless drill to perfect the variable stop function.



## Easy assembly

AVENTOS HK-XS can be assembled with great ease. The infinitely variable adjustment is carried out from the front using the adjustment screw. Calibration helps to ensure the front is balanced and guaranteed the front will stop in any desired position.

 **blum**<sup>®</sup>



The assembly of AVENTOS HK-XS is simple and convenient. Thanks to special manufacturing devices and templates, the AVENTOS lift system can be assembled and installed precisely and efficiently depending on your needs.



### Cabinet fixing

There are various fixing methods available for fixing the lift mechanism to the cabinet. The fixing positions always remain the same, regardless of the thickness and material of the front.



### Front fixing bracket

Fixing brackets are available for wooden fronts and wide aluminium frames.



### CLIP mechanism

The lift mechanism can be assembled tool-free using the CLIP technology.



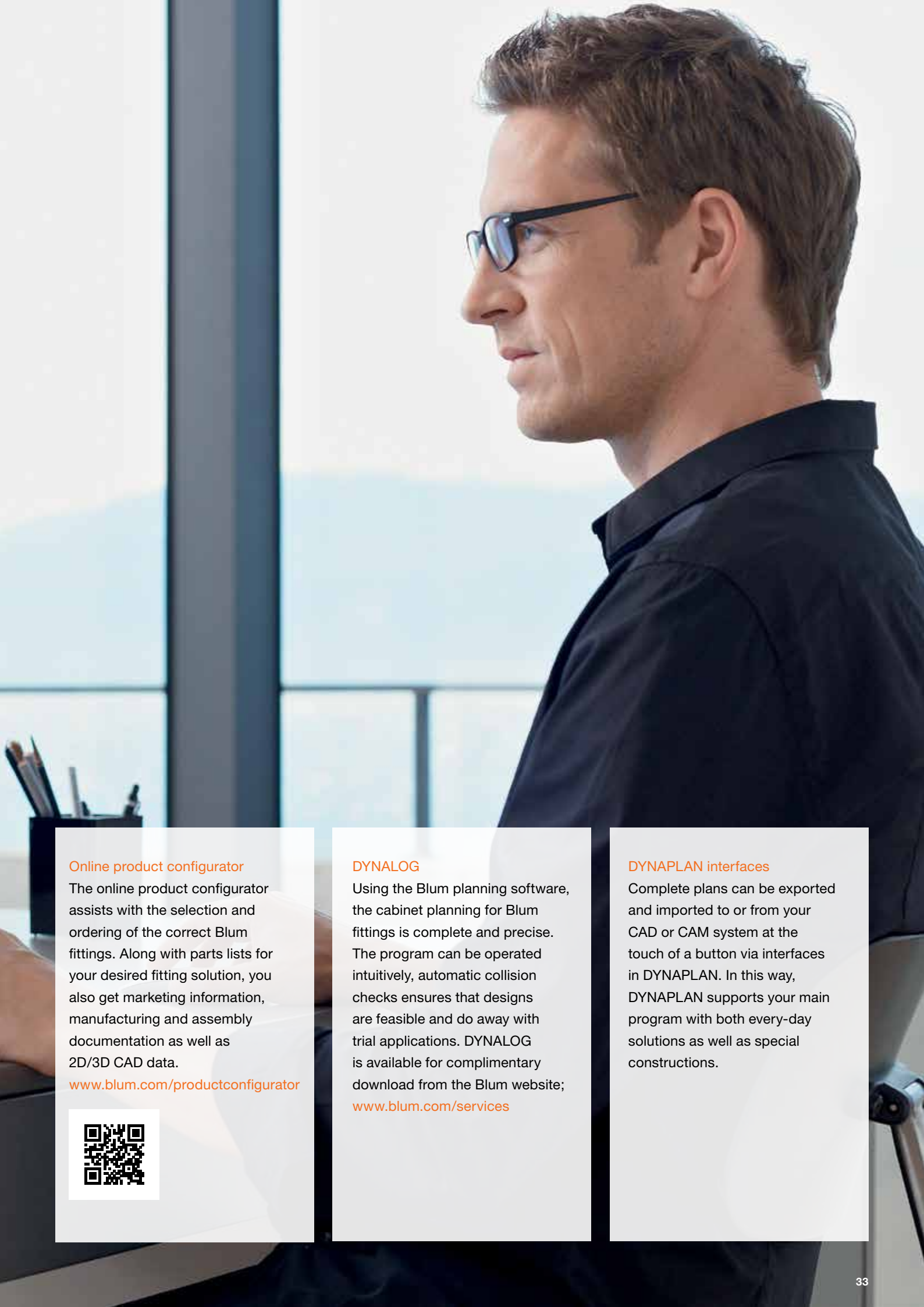
# Services for the Manufacturer

Blum would like to make the ordering, assembly and marketing of its products as easy as possible for our customers and partners. A variety of useful online applications as well as special planning and ordering software are available to support your daily activities.



|  |   |  |
|--|---|--|
| <p><b>Box systems</b><br/>Our cabinet profiles, up to 3 progressive lines with different floor slots.</p> <ul style="list-style-type: none"><li>Learn more...</li><li>Configure BOX systems</li></ul>  | <p><b>Runner systems</b><br/>Our complete runner systems for modern kitchen profile provide flexibility and maximum longevity.</p> <ul style="list-style-type: none"><li>Learn more...</li><li>Configure runner systems</li></ul> | <p><b>DINGHAUSEE drawer sliding system</b><br/>The positive and sliding system provides a quiet and smooth start.</p> <ul style="list-style-type: none"><li>Learn more...</li><li>Configure DINGHAUSEE</li></ul> |
| <p><b>Hinge systems</b><br/>Hinge connect the cabinet door to the cabinet. There can be applied to different angles and distances depending on the hinge type.</p> <ul style="list-style-type: none"><li>Learn more...</li><li>Configure Hinge systems</li></ul> | <p><b>LM systems</b><br/>LM systems enable you to fit systems providing additional storage for doors of your kitchen.</p> <ul style="list-style-type: none"><li>Learn more...</li><li>Configure LM systems</li></ul>              | <p><b>SOFTDOORIT</b><br/>With soft close DOORIT you will enjoy a quiet and smooth start.</p> <ul style="list-style-type: none"><li>Learn more...</li><li>Configure SOFTDOORIT</li></ul>                          |





#### Online product configurator

The online product configurator assists with the selection and ordering of the correct Blum fittings. Along with parts lists for your desired fitting solution, you also get marketing information, manufacturing and assembly documentation as well as 2D/3D CAD data.

[www.blum.com/productconfigurator](http://www.blum.com/productconfigurator)



#### DYNALOG

Using the Blum planning software, the cabinet planning for Blum fittings is complete and precise. The program can be operated intuitively, automatic collision checks ensures that designs are feasible and do away with trial applications. DYNALOG is available for complimentary download from the Blum website;

[www.blum.com/services](http://www.blum.com/services)

#### DYNAPLAN interfaces

Complete plans can be exported and imported to or from your CAD or CAM system at the touch of a button via interfaces in DYNAPLAN. In this way, DYNAPLAN supports your main program with both every-day solutions as well as special constructions.

# Universal programme

The AVENTOS HK series programme is versatile and suited to any small to medium wall cabinet in kitchens and living areas. AVENTOS stay lifts allows for a variety of planning and design applications.



HK Series

*blum*





### AVENTOS HK

#### Stay lift

Minimum internal cabinet height 170mm  
 Minimum internal cabinet depth 207mm  
 Cabinet width up to 1800mm



### AVENTOS HK-S

#### Small stay lift

Minimum internal cabinet height 150mm  
 Minimum internal cabinet depth 163mm  
 Cabinet width up to 1800mm

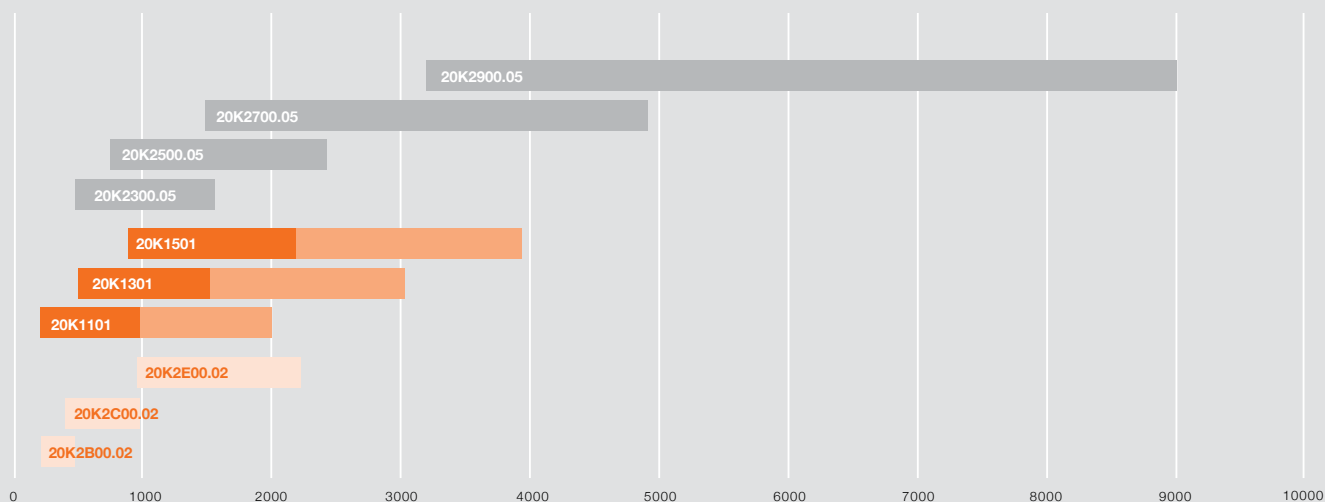


### AVENTOS HK-XS

#### Compact stay lift

Minimum internal cabinet height 200mm  
 Minimum internal cabinet depth 125mm  
 Cabinet width up to 1800mm

Front heights and widths possible are subject to the power factor limits (shown in the diagram below).  
 For ergonomic reasons we recommend a maximum cabinet height of 600mm.



### Key

- AVENTOS HK
- AVENTOS HK-XS &  HK-XS (with additional lift mechanism)
- AVENTOS HK-S

### Power factor range

- 480-9000
- 200-1800 (3600\*)
- 200-2215

\* Installing an additional AVENTOS HK-XS lift mechanism increases the power factor range to 3600

### Motion Technologies

The AVENTOS HK series range includes Blum's integrated, adaptive dampening system BLUMOTION which ensures it closes silently and effortlessly.

AVENTOS HK is compatible with SERVO-DRIVE, Blum's electrical motion support system.

AVENTOS stay lifts are compatible with TIP-ON, Blum's mechanical opening support system.



Fittings selection made easy with the online product configurator at [www.blum.com/productconfigurator](http://www.blum.com/productconfigurator)

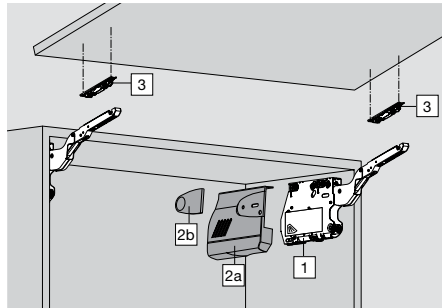
NB: Refer to the AVENTOS programme brochure or technical catalogue for information on Blum's complete AVENTOS lift system range including applications with SERVO-DRIVE electrical motion support and TIP-ON mechanical opening support.

# AVENTOS HK



## Ordering information

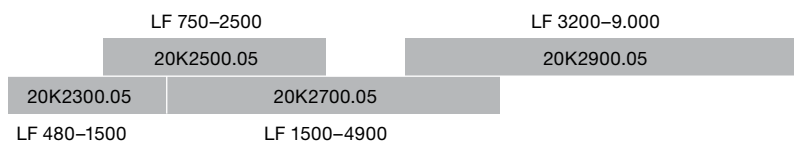
### Product



### Order Specification



Power factor LF = cabinet height KH (mm) x front weight incl. double handle weight (kg)



■ Lift mechanism two-sided

LF Power factor

Using the power factor, you can calculate the number of required lift mechanisms. The power factor required depends on the weight of the front and the cabinet height. The power factor and the door weight can be increased by 50 % when a third lift mechanism is used.

A trial application is recommended when you are in a borderline area of the individual lift mechanism.

| 1  | Lift mechanism set |               |            |
|--|--------------------|---------------|------------|
|  | Power factor       | Opening angle |            |
|  | 480-1500           | 107°          | 20K2300.05 |
|  | 750-2500           | 107°          | 20K2500.05 |
|  | 1500-4900          | 107°          | 20K2700.05 |
|  | 3200-9000          | 100° *)       | 20K2900.05 |
| Composed of:                                   |                    |               |            |
| 2 x symmetrical lift mechanisms                |                    |               |            |
| 6 x chipboard screws Ø 4 x 35 mm               |                    |               |            |
| Max. door weight 18 kg for two lift mechanisms |                    |               |            |
| *) Pre-mounted opening angle stop              |                    |               |            |

| 2, 3         | Cover cap set             |         |
|--------------|---------------------------|---------|
|              | Nylon                     |         |
|              | Silk white                | 20K8000 |
| Composed of: |                           |         |
| 3a           | 1 x cover cap large left  |         |
| 3b           | 1 x cover cap large right |         |
| 3c           | 2 x cover caps small      |         |

| 4  | Front fixing bracket set                              |          |
|--|---|----------|
|  | Nickel plated   |          |
|  | Wooden fronts and wide aluminium frames <sup>1)</sup> | 20S42E1  |
|  | Narrow alu frames                                     | 20S4200A |
|  | Composed of:  |          |
| 2 x symmetrical front fixing brackets  |   |          |
| <sup>1)</sup> Use 4 chipboard screws per side for wooden fronts. Use 4 countersunk self tapping screws per side for wide aluminium frames. |   |          |

| Opening angle stop (optional) |                |             |
|-------------------------------|----------------|-------------|
|                               | Nylon          |             |
|                               | 100° Dark grey | 2 x 20K7041 |
|                               | 75° Dust grey  | 2 x 20K7011 |

#### Note

For wider cabinet applications we recommend that an additional lift mechanism is attached to the centre of the panel to prevent the front from sagging when open.



Planning

**Drilling position**

3 x  $\text{Ø} 4 \times 35 \text{ mm}$

SOB Top panel thickness      \*Drilling depth 5 mm

**Space requirement**

LH Internal cabinet height

**Front assembly**

Narrow alu frames      Wooden fronts and wide aluminium frames<sup>1)</sup>

Wall application: Requires minimum gap 5 mm

4 x  $\text{Ø} 3.5 \times 15 \text{ mm}$

SOB Top panel thickness

F Gap

SFA Side front overlay

<sup>1)</sup> Use 4 chipboard screws per side for wooden fronts. Use 4 countersunk self tapping screws per side for wide aluminium frames.

**Planning narrow alu frames**

SFA Side front overlay

For frame frieze width 19 mm: SFA of 11–18 mm possible

\* When changing material thickness, adjust the assembly dimensions accordingly

**Cornice and crown moulding clearance**

|        |    |    |    |    |    |
|--------|----|----|----|----|----|
| D (mm) | 16 | 19 | 22 | 26 | 28 |
| X (mm) | 70 | 59 | 49 | 35 | 26 |

Opening angle stop

Without       $Y = FH \times 0.29 - 15 + D$

100°       $Y = FH \times 0.17 - 15 + D$

75°       $A = FH \times 0.26 + 15 - D$

**Minimum gap**

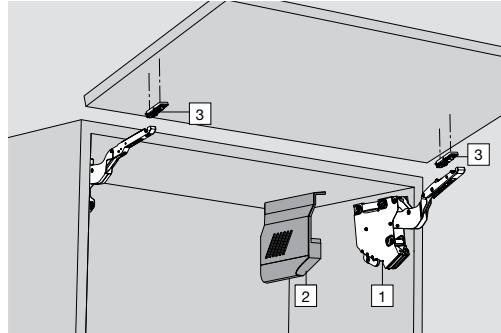
MF Minimum gap for opening (2 mm)

# AVENTOS HK-S



## Ordering information

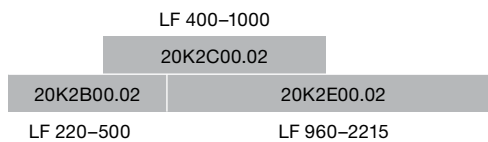
### Product



### Order Specification



Power factor LF = cabinet height KH (mm) x front weight incl. double handle weight (kg)



■ Lift mechanism two-sided

LF Power factor

Using the power factor, you can calculate the number of required lift mechanisms. The power factor required depends on the weight of the front and the cabinet height. The power factor and the door weight can be increased by 50 % when a third lift mechanism is used. A trial application is recommended when you are in a borderline area of the individual lift mechanism.

| 1, 2 | Lift mechanism set  |        |            |
|------|---|--------|------------|
|      | Power factor  | Spring |            |
|      | 200-500   | Weak   | 20K2B00.02 |
|      | 400-1000  | Medium | 20K2C00.02 |
|      | 960-2215  | Strong | 20K2E00.02 |
|      | Opening angle   | 107°   |            |
|      | Composed of:  |        |            |
|      | 2 x symmetrical lift mechanisms                           |        |            |
|      | 2 x cover caps large left/right<br>light grey, silk white |        |            |
|      | 6 x chipboard screws, Ø 4 x 35 mm                         |        |            |

|  | Opening angle stop |     |         |
|--|--------------------|-----|---------|
|  | Nylon              |     |         |
|  | 100° Dark grey     | 2 x | 20K7A41 |
|  | 75° Dust grey      | 2 x | 20K7A11 |

| 3 | Front fixing bracket   |     |          |
|---|--|-----|----------|
|   | Wooden fronts and wide aluminium frames <sup>1)</sup>  | 2 x | 175H3100 |
|   | <sup>1)</sup> Use 2 chipboard screws for wooden fronts. Use 2 countersunk self tapping screws for wide alu frames. |     |          |

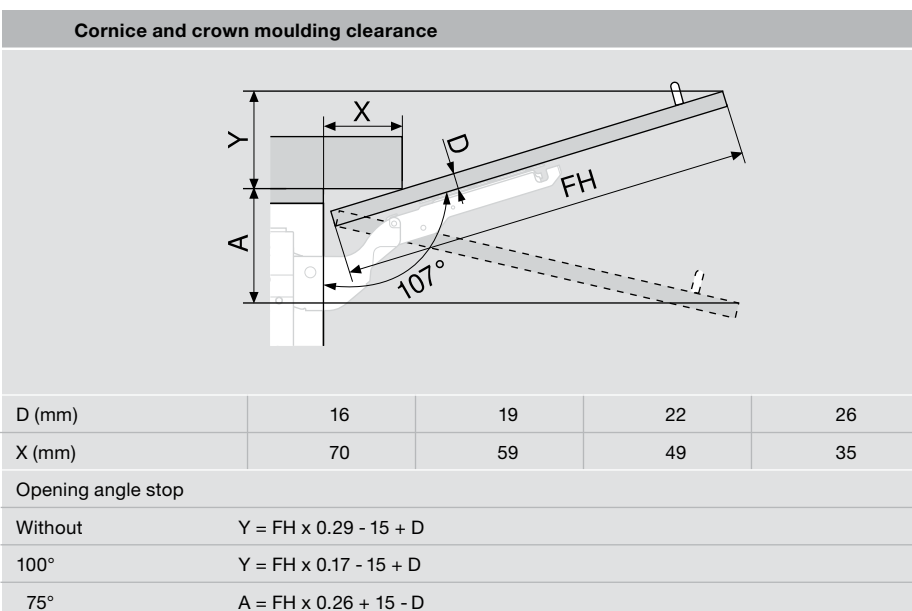
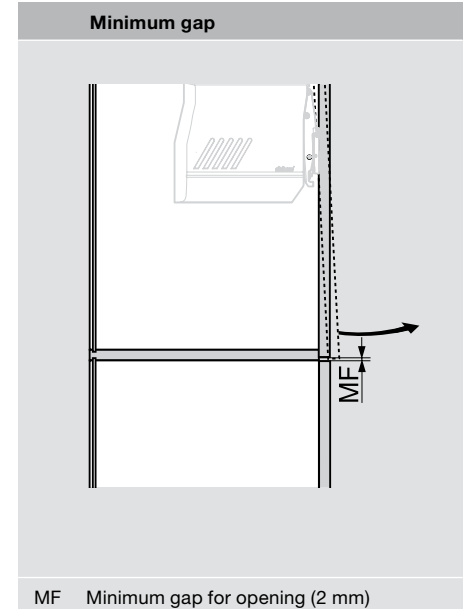
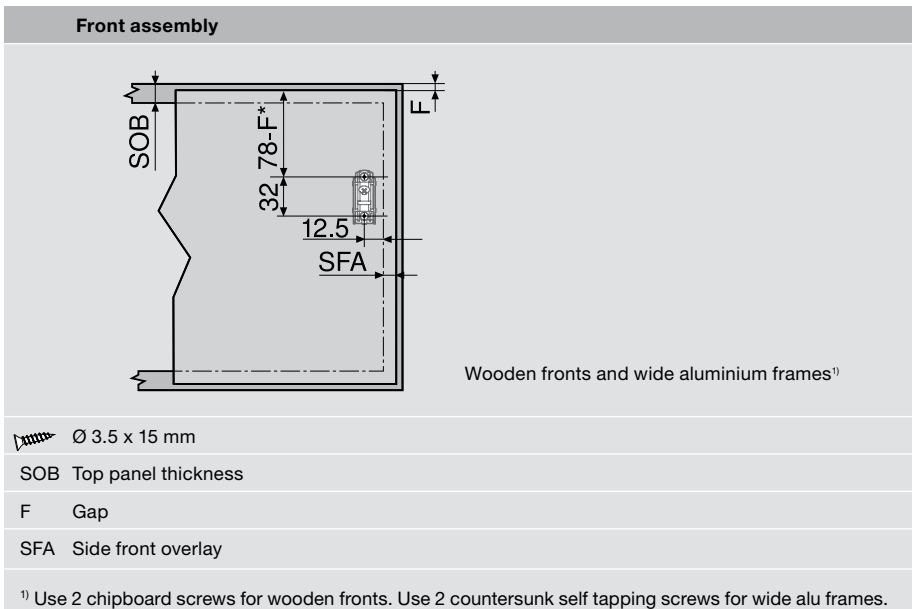
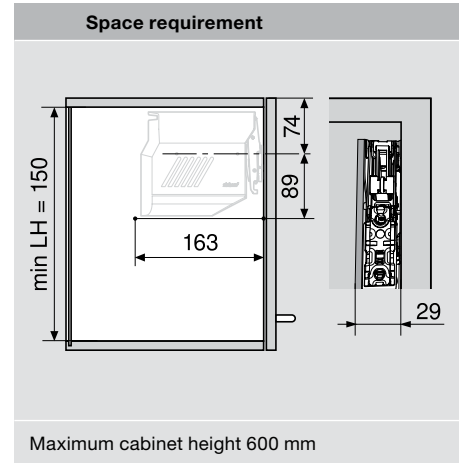
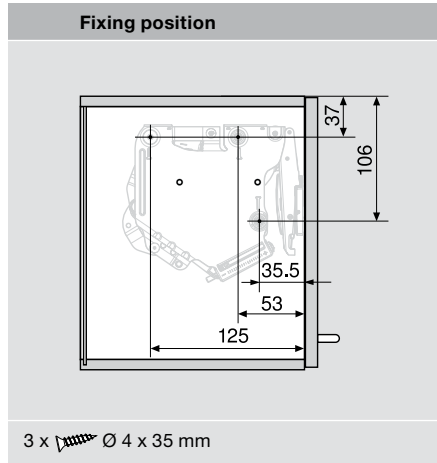
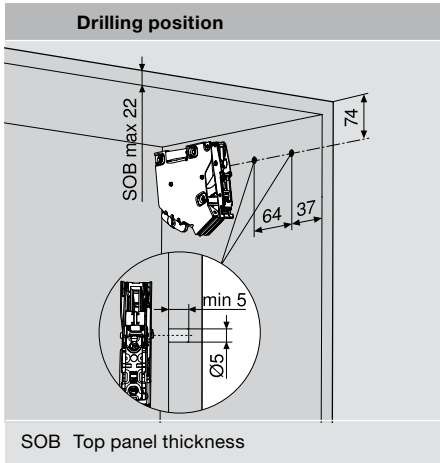
**Note**  
For wider cabinet applications we recommend that an additional lift mechanism is attached to the centre of the panel to prevent the front from sagging when open.

## Planning information

AVENTOS HK-S

**blum**

## Planning

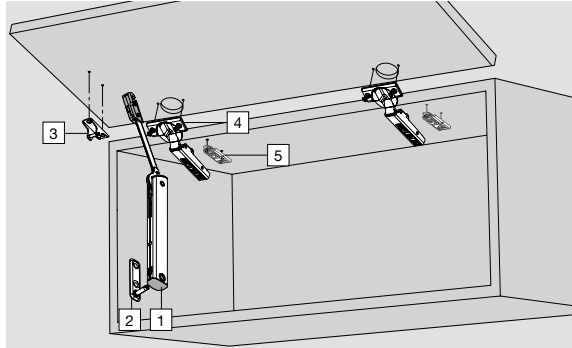


# AVENTOS HK-XS



## Ordering information

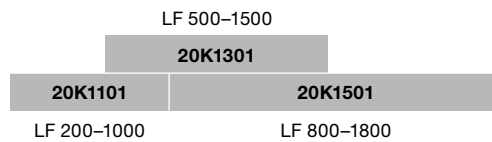
### Product



### Order Specification



Power factor LF = cabinet height KH (mm) x door weight incl. double handle weight (kg)



■ Lift mechanism two-sided

LF Power factor

Using the power factor, you can calculate the number of required lift mechanisms. The power factor required depends on the weight of the front and the cabinet height. The power factor and the door weight can be increased by 50 % when a third lift mechanism is used.

A trial application is recommended when you are in a borderline area of the individual lift mechanism.

|  |  |         |
|--|--|---------|
|  | <b>1 Symmetrical lift mechanism</b>  |         |
|  | Power factor   |         |
|  | 200-1000   | 20K1101 |
|  | 500-1500   | 20K1301 |
|  | 800-1800   | 20K1501 |
|  | 105° opening angle*  |         |
|  | * For hinges with smaller opening angles, these are limited by the hinges. |         |

|  |                         |         |
|--|-------------------------|---------|
|  | <b>2 Cabinet fixing</b> |         |
|  | Nickel plated steel     |         |
|  | Screws                  | 20K5101 |
|  | EXPANDO                 | 20K51E1 |

|  |                               |         |
|--|-------------------------------|---------|
|  | <b>3 Front fixing bracket</b> |         |
|  | Nickel plated steel           |         |
|  | Screws <sup>1)</sup>          | 20K4101 |
|  | EXPANDO                       | 20K41E1 |

|  |                                |             |     |         |
|--|--------------------------------|-------------|-----|---------|
|  | <b>4 Hinge recommendation</b>  |             |     |         |
|  | <b>CLIP top BLUMOTION 110°</b> |             |     |         |
|  | Screws                         | With spring | 2x* | 71B3550 |
|  | INSERTA                        | With spring | 2x* | 71B3590 |
| Optional accessories include the stamped hinge arm cover cap 70.1503.BP, hinge boss cover cap 70T3504 and the hinge boss spacing 70T3553 |                                |             |     |         |

|  |   |         |     |           |
|--|---|---------|-----|-----------|
|  | <b>5 Mounting plate recommendation</b>                    |         |     |           |
|  | Standard mounting plates, distance depends on the top gap |         |     |           |
|  | Fixing  | Spacing |     |           |
|  | Screws  | 0 mm    | 2x* | 175H3100  |
|  | EXPANDO   | 0 mm    | 2x* | 177H3100E |

|  |  |         |
|--|--|---------|
|  | <b>Opening angle stop 86° for hinges</b> |         |
|  | Plastic                                  |         |
|  | Black                                    | 70T3553 |

<sup>1)</sup> Use 2 chipboard screws for wooden fronts. Use 2 countersunk self-tapping screws for wide aluminium frames.

\* Number of hinges, see front assembly

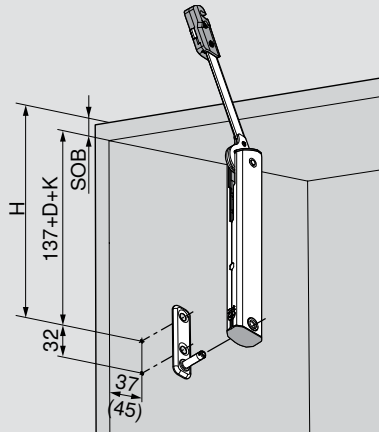
#### Note

For wider cabinet applications we recommend that an additional lift mechanism is attached to the centre of the panel to prevent the front from sagging when open.



Planning

Cabinet positions for lift mechanism



$H = 137 + D + K + SOB$

D Mounting plate spacing

K Hinge crank

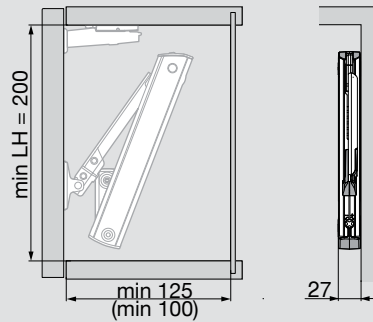
Horizontal hinge arm 0 mm

Cranked hinge arm 9.5 mm

Double cranked hinge arm 18 mm

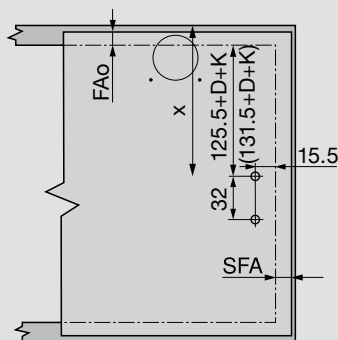
SOB Top panel thickness

Space requirement



LH Internal cabinet height

Front assembly



Wooden fronts and wide aluminium frames<sup>1)</sup>

$X = 125.5 + D + K + FAo$

Ø 3.5 x 15 mm

FAo Upper front overlay

SFA Side front overlay

Number of hinges

3 hinges starting at cabinet width 900 mm and/or power factor 1800

4 hinges starting at cabinet width 1200 mm and/or power factor 2700

<sup>1)</sup> Use 2 chipboard screws for wooden fronts.

Use 2 countersunk self-tapping screws for wide aluminium frames.

( ) Special drilling positions for a minimum internal depth of 100 mm

**i** To ensure optimal motion, use standard drilling positions for a minimum internal depth of 125 mm

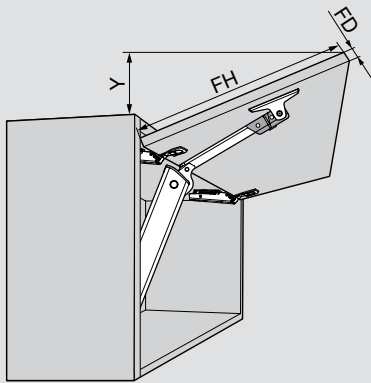
# AVENTOS HK-XS



## Planning information

### Planning

#### Space requirement



$$Y = (FH - a) \times 0.3$$

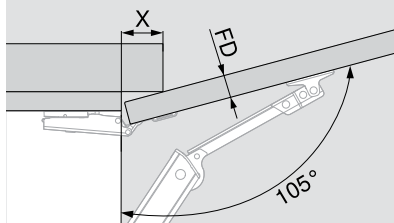
|         |    |    |    |    |
|---------|----|----|----|----|
| FD (mm) | 16 | 19 | 22 | 24 |
|---------|----|----|----|----|

|        |    |    |    |    |
|--------|----|----|----|----|
| a (mm) | 45 | 34 | 23 | 15 |
|--------|----|----|----|----|

FD Front thickness

FH Front height

#### Cornice and crown moulding clearance

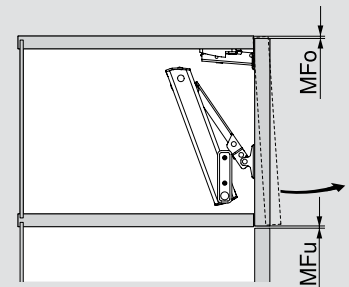


|         |    |    |    |    |
|---------|----|----|----|----|
| FD (mm) | 16 | 19 | 22 | 24 |
|---------|----|----|----|----|

|        |    |    |    |    |
|--------|----|----|----|----|
| X (mm) | 45 | 34 | 23 | 15 |
|--------|----|----|----|----|

FD Front thickness

#### Minimum gap



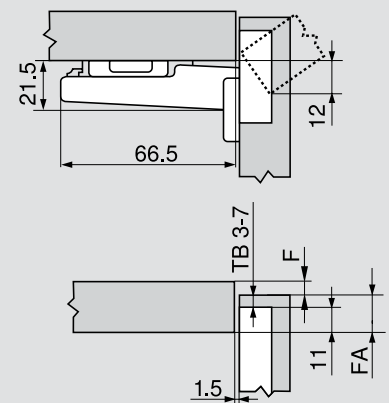
MFu Minimum gap at the bottom (1.5 mm)

MFo Minimum gap at the top depending on hinge used – see Blum catalogue

#### Minimum gap (F) for fronts with a front radius (R = 1 mm) based on the factory setting for CLIP top BLUMOTION 110°

|        |   | Front thickness FD                    |      |      |      |      |      |      |      |      |      |    | A trial application is recommended |    |
|--------|---|---------------------------------------|------|------|------|------|------|------|------|------|------|----|------------------------------------|----|
|        |   | 16                                    | 18   | 19   | 20   | 21   | 22   | 23   | 24   | 25   | 26   | 28 |                                    | 30 |
| <br>TB | 3 | 0.5                                   | 0.8  | 1.0  | 1.2  | 1.5  | 1.8  | 2.2  | 2.7  | 3.5  | 4.3  |    |                                    |    |
|        | 4 | 0.5                                   | 0.8  | 1.0  | 1.2  | 1.4  | 1.7  | 2.0  | 2.5  | 3.1  | 3.8  |    |                                    |    |
|        | 5 | 0.5                                   | 0.8  | 0.9  | 1.2  | 1.4  | 1.7  | 2.0  | 2.4  | 2.9  | 3.4  |    |                                    |    |
|        | 6 | 0.5                                   | 0.8  | 0.9  | 1.2  | 1.3  | 1.6  | 1.9  | 2.3  | 2.7  | 3.2  |    |                                    |    |
|        | 7 | 0.5                                   | 0.8  | 0.9  | 1.1  | 1.3  | 1.6  | 1.9  | 2.2  | 2.6  | 3.0  |    |                                    |    |
|        |   | Additional for + 2 mm side adjustment |      |      |      |      |      |      |      |      |      |    |                                    |    |
|        |   | +0.2                                  | +0.4 | +0.4 | +0.5 | +0.5 | +0.5 | +0.5 | +0.5 | +0.5 | +0.5 |    |                                    |    |

#### CLIP top BLUMOTION 110°



F Gap

FA Front overlay

TB Drilling distance

#### CLIP top BLUMOTION 110°

|    |   | Front overlay FA         |   |   |   |   |    |    |    |    |    |    |    |    |    |
|----|---|--------------------------|---|---|---|---|----|----|----|----|----|----|----|----|----|
|    |   | 5                        | 6 | 7 | 8 | 9 | 10 | 11 | 12 | 13 | 14 | 15 | 16 | 17 | 18 |
| TB | 0 |                          |   |   |   |   |    |    |    |    | 3  | 4  | 5  | 6  | 7  |
|    | 3 |                          |   |   |   |   |    | 3  | 4  | 5  | 6  | 7  |    |    |    |
|    | 6 |                          |   |   | 3 | 4 | 5  | 6  | 7  |    |    |    |    |    |    |
|    | 9 | 3                        | 4 | 5 | 6 | 7 |    |    |    |    |    |    |    |    |    |
|    |   | <br>TB Drilling distance |   |   |   |   |    |    |    |    |    |    |    |    |    |

TB Drilling distance

## Assembly devices

**AVENTOS HK  
AVENTOS HK-S  
AVENTOS HK-XS**



### Universal drilling template (front fixing bracket)



#### Universal drilling template

The multifunctional template that combines high precision with practical value.

ZML.0040.01

Facilitates exact marking and pre-drilling positions for front fixing brackets.

Calibrated for easy adjustment.

Suitable for AVENTOS HK, AVENTOS HK-S and AVENTOS HK-XS.

#### Components

1 x universal drilling template, 1 x drilling depth stop (ø 10mm), 1x drilling depth stop (ø 5 mm), 1 x marking template (ø 10 mm), 1 x marking template (ø 5 mm).

### Universal individual template (cabinet assembly)



#### Universal individual template

Facilitates pre-drilling of the fixing positions for the lift mechanism and cabinet fixing bracket.

65.1051.02

Can be used with assembled and flat pack cabinets.

Calibrated for setting the height and depth position.

Suitable for the AVENTOS HK and AVENTOS HK-S lift mechanism and the AVENTOS HK-XS cabinet fixing bracket.

#### Components

1 x universal individual template, 1 x drilling depth spacer (ø 5 mm), 1 x reducing bush ø 5 to ø 2.5 mm, 1 x allen key.

### Universal drilling template (cabinet assembly)



#### Universal drilling template

Facilitates pre-drilling of the fixing positions for the lift mechanism and cabinet fixing bracket.

65.1000.01

Can be used with assembled and flat pack cabinets.

Calibrated for setting the height and depth position.

#### Components

1 x universal individual template, 1 x drilling depth spacer (ø 5 mm), 1 x reducing bush ø 5 to ø 2.5 mm, 1 x allen key.

### Template (Mounting plate)



#### Template

Facilitates the drilling positions for hinge mounting plates (ø 2.5 mm).

65.5300

Can also be used for cabinet fixing.

Suitable for AVENTOS HK-XS.

AVENTOS HK  
AVENTOS HK-S  
AVENTOS HK-XS



## Assembly devices

### ECODRILL (hinges)



#### ECODRILL

A simple hand held tool to drill accurate hole patterns for Blum hinges.

M31.1000

Driven by a hand drill.

Variable drilling distance from 2 to 8mm.

Suitable for CLIP top BLUMOTION/CLIP top hinges (for AVENTOS HK-XS applications).

#### Components

1 x drilling template, 1 x drill bit (ø 8 mm), 1 x fittings drill bit (ø 35 mm), 2 x Torx bit.

### Drilling template for hinges



#### Drilling template for hinges

Facilitates the drilling for the side fixing positions for hinges (ø 8 and/or 2.5 mm).

65.059A

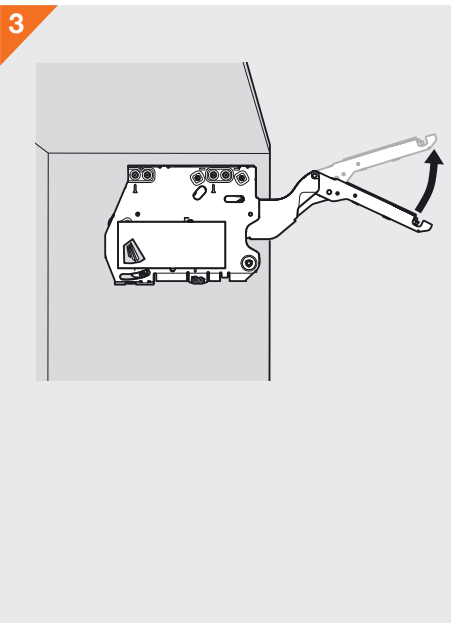
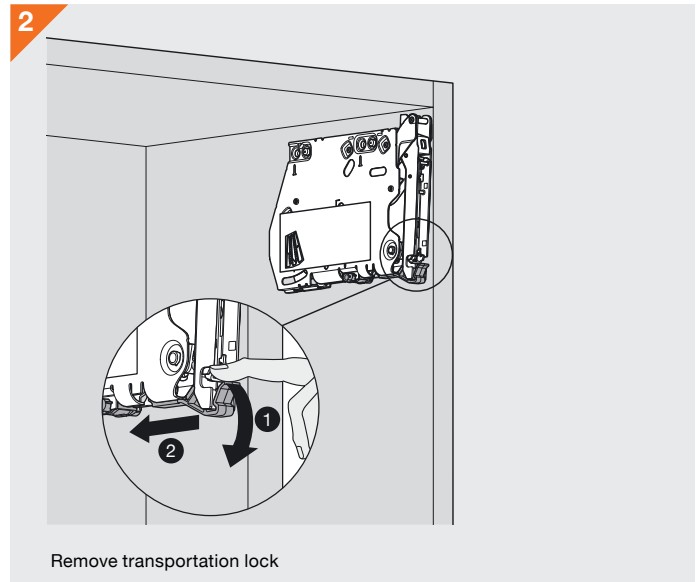
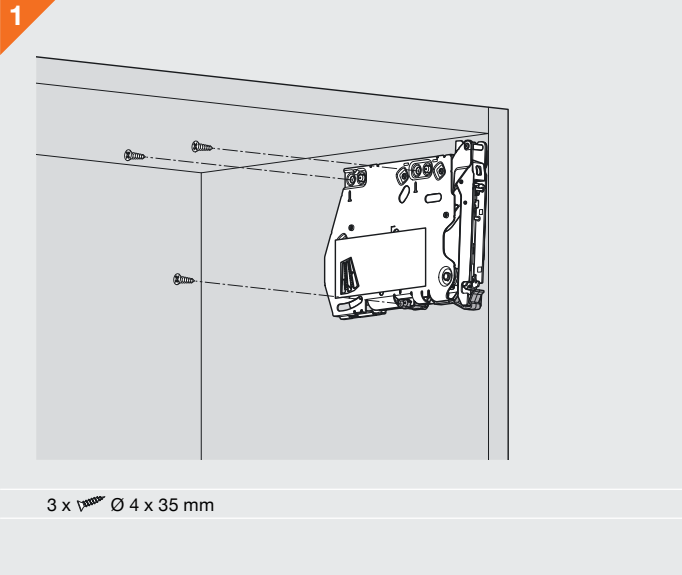
Suitable for CLIP top BLUMOTION/CLIP top hinges (for AVENTOS HK-XS applications).

#### Components

1 x drilling templates for hinges, 1 x reduced bush ø 8 to ø 2.5 mm,  
1 x drilling depth stop (ø 8 mm).



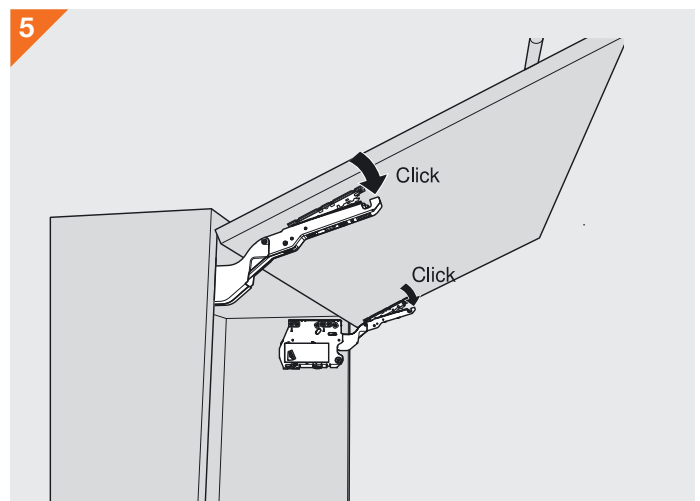
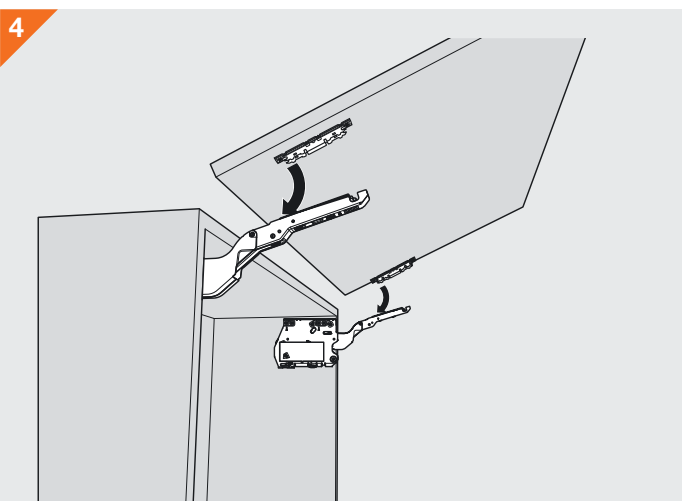
Assembly



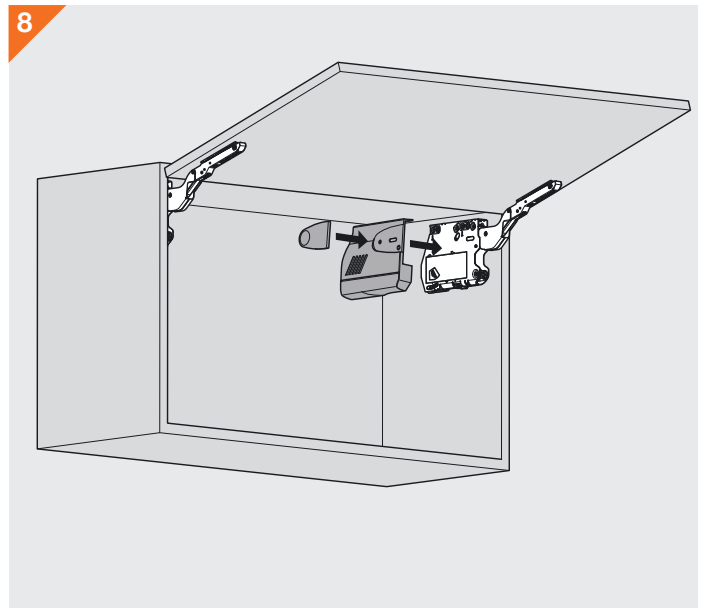
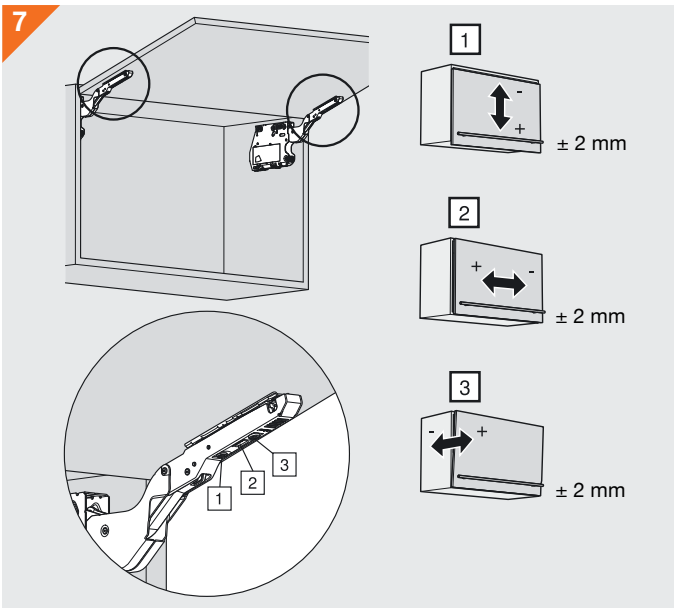
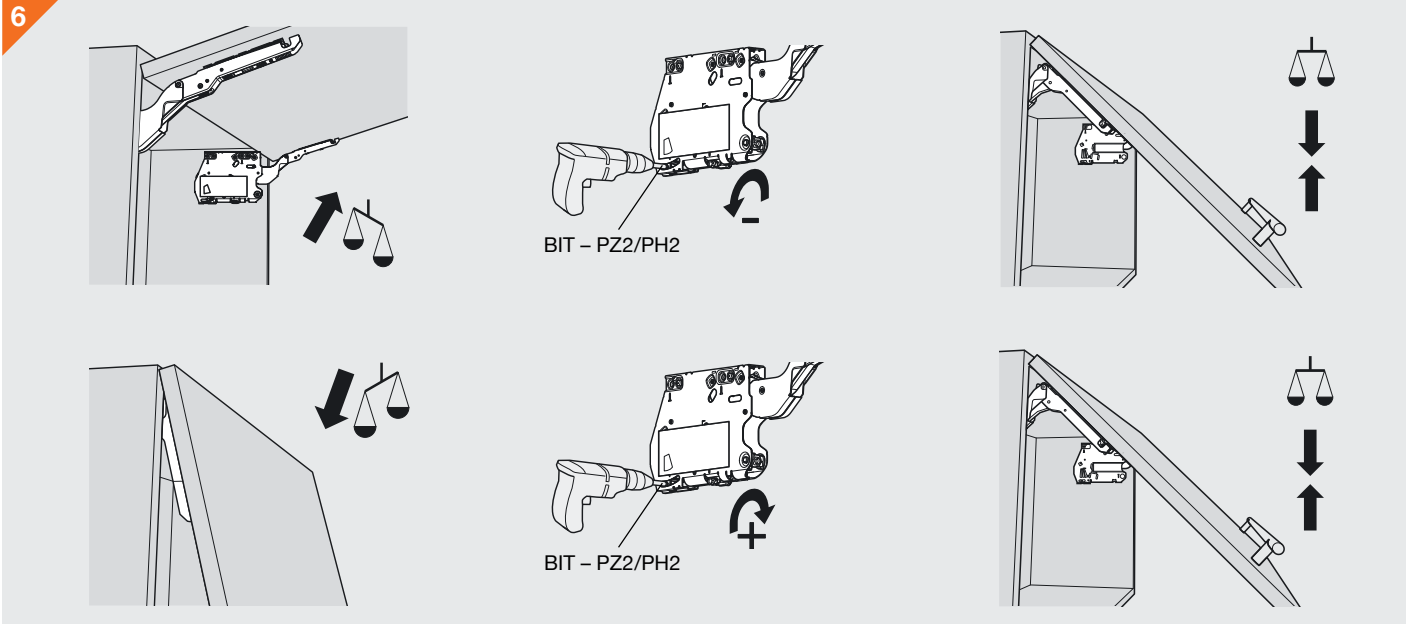
**Warning**

Lever could spring up and cause injury!

Do not push down/depress lever.

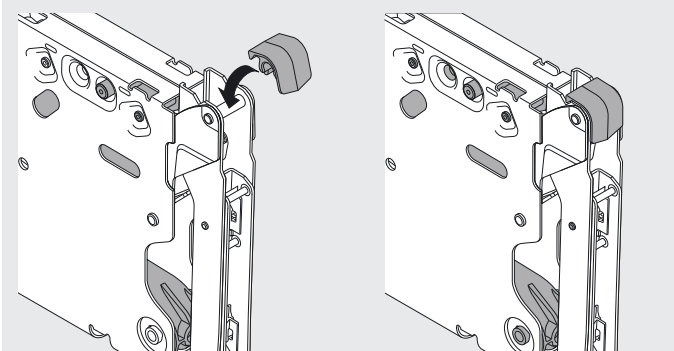


Adjustment

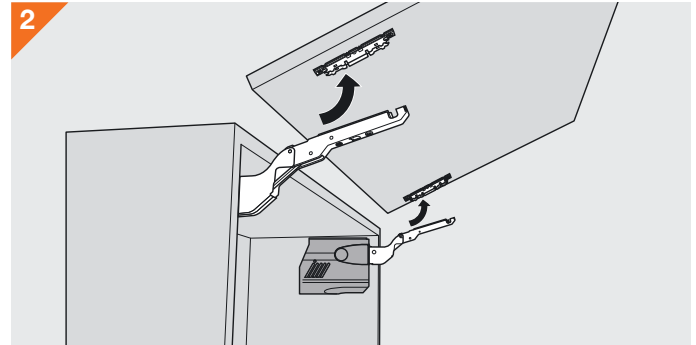
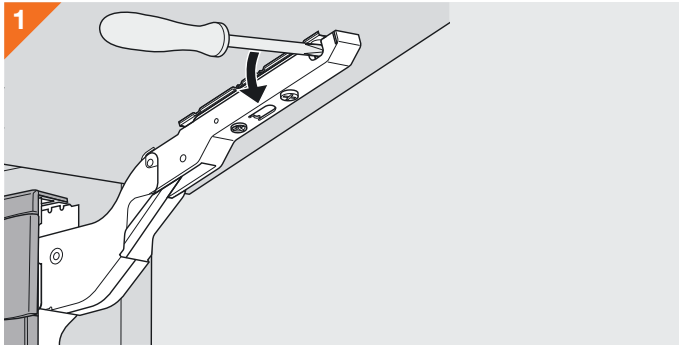


Opening angle stop

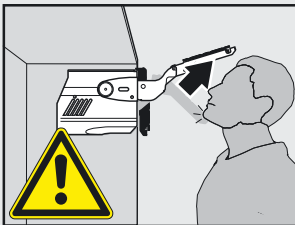
75° 20K7011  
100° 20K7041



Removal



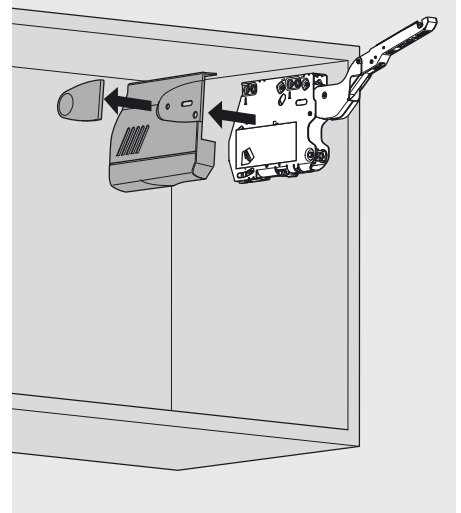
Warning



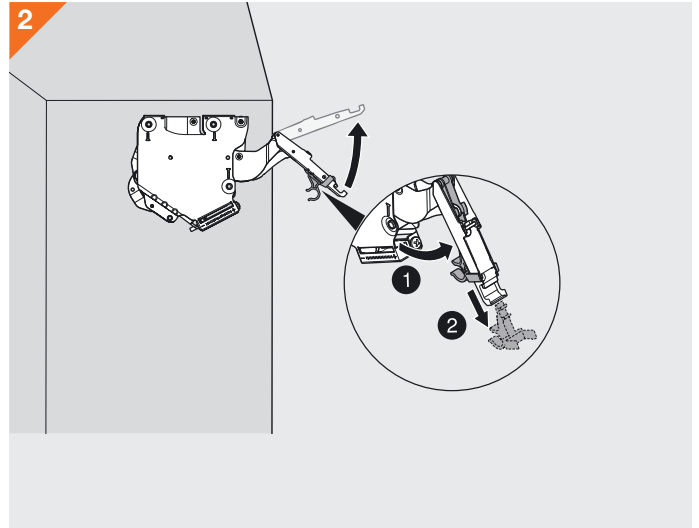
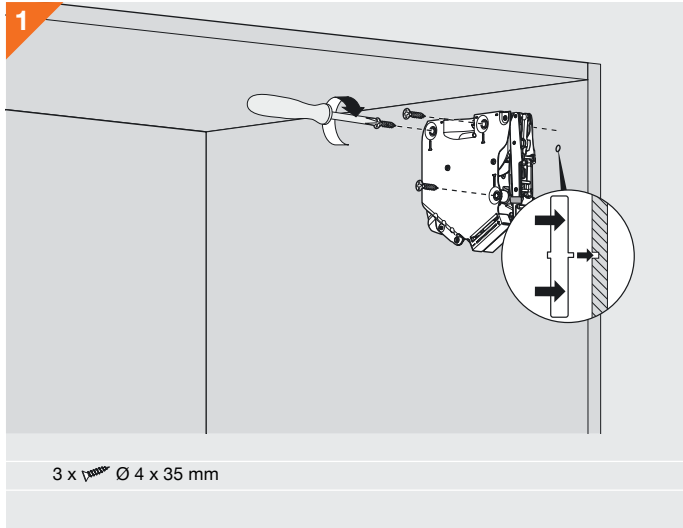
Lever could spring up and cause injury!



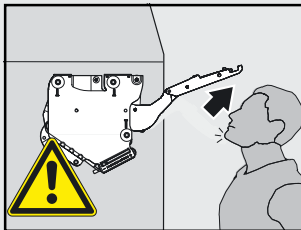
Do not push down/depress lever.



Assembly



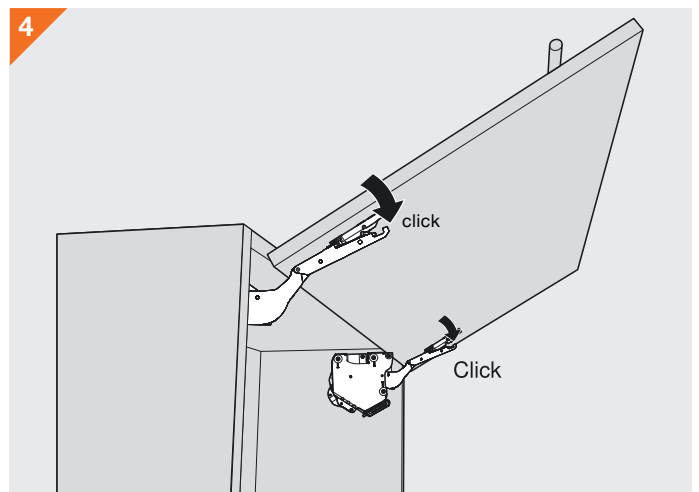
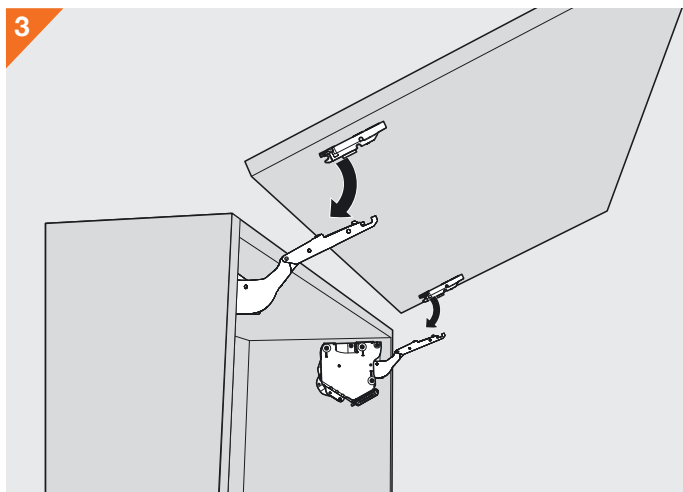
Warning



Lever could spring up and cause injury!

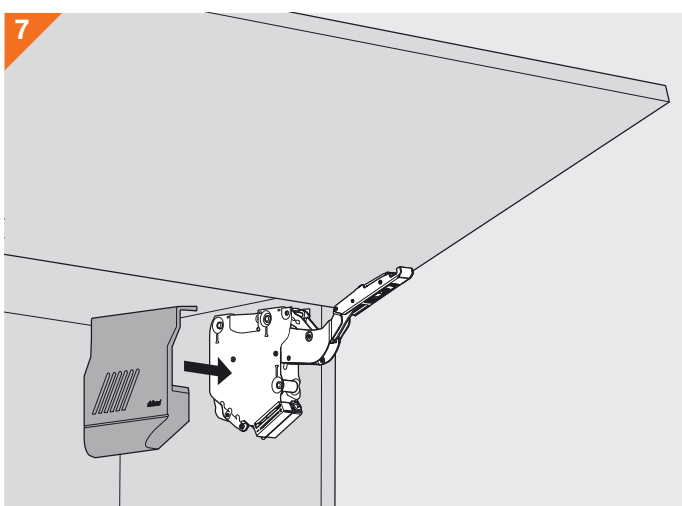
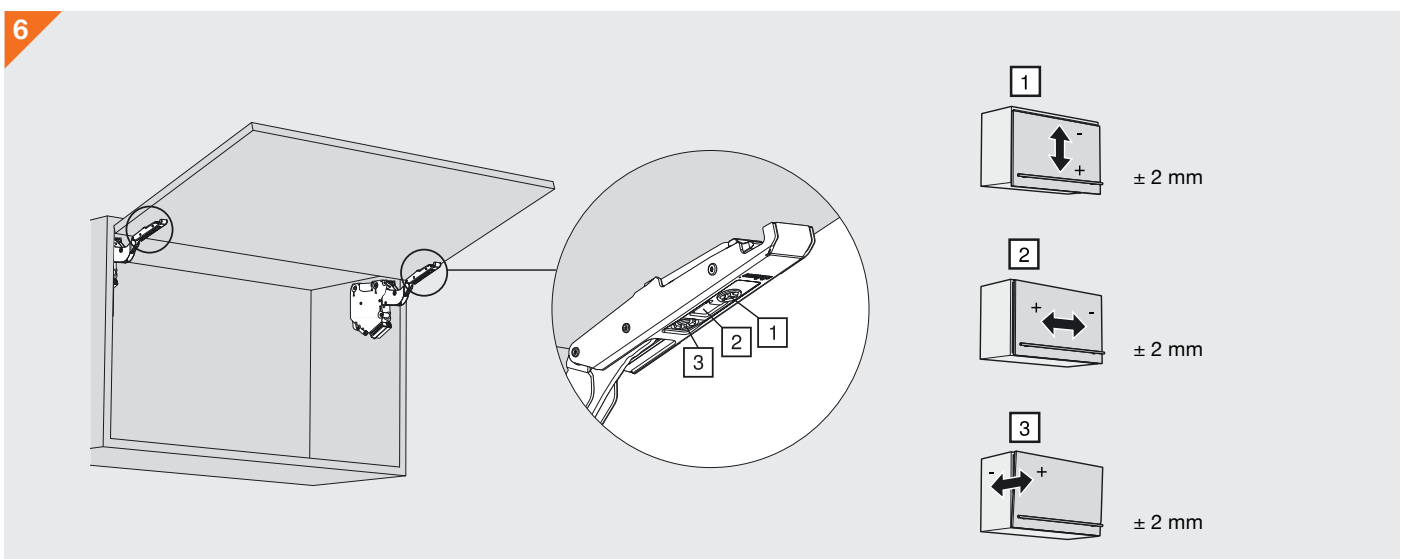
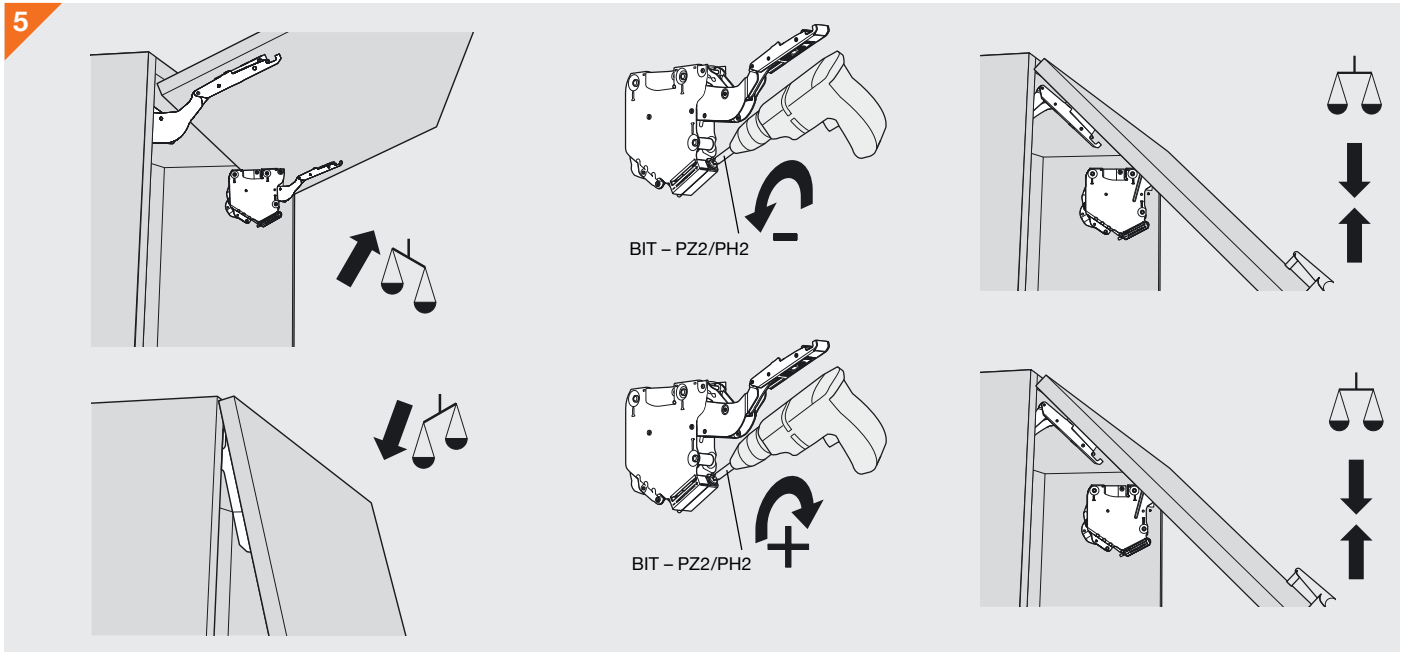


Do not push down/depress lever.



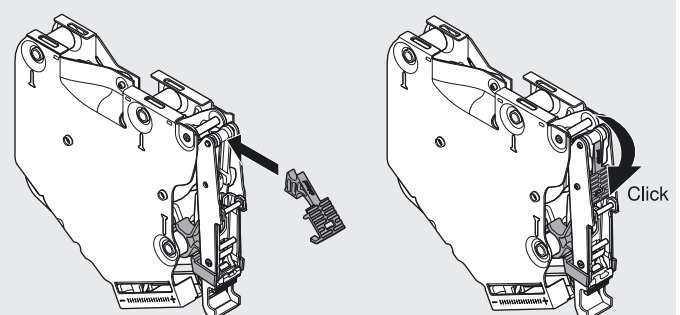


Adjustment

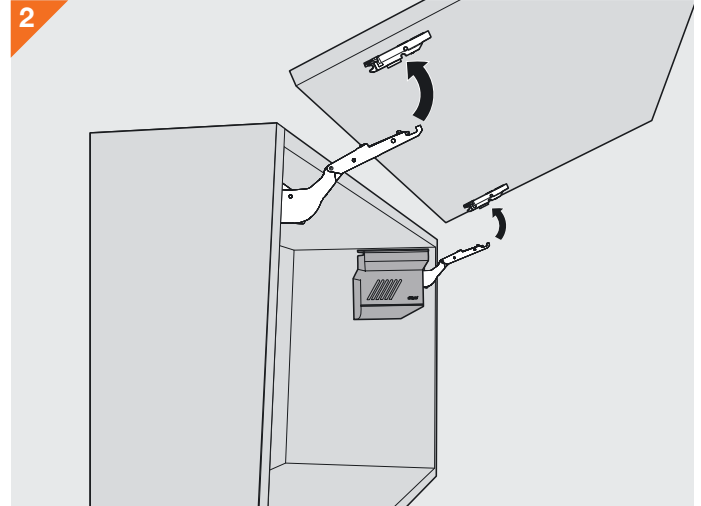
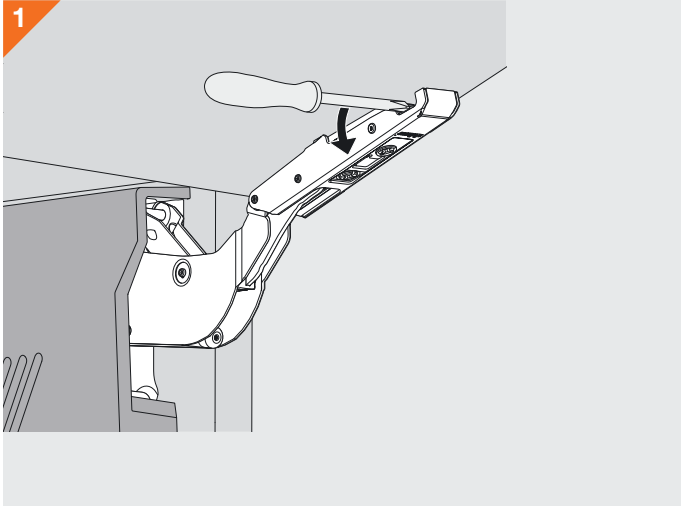


Opening angle stop

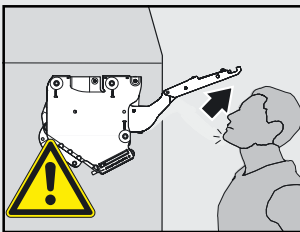
75° 20K7A11  
100° 20K7A41



Removal



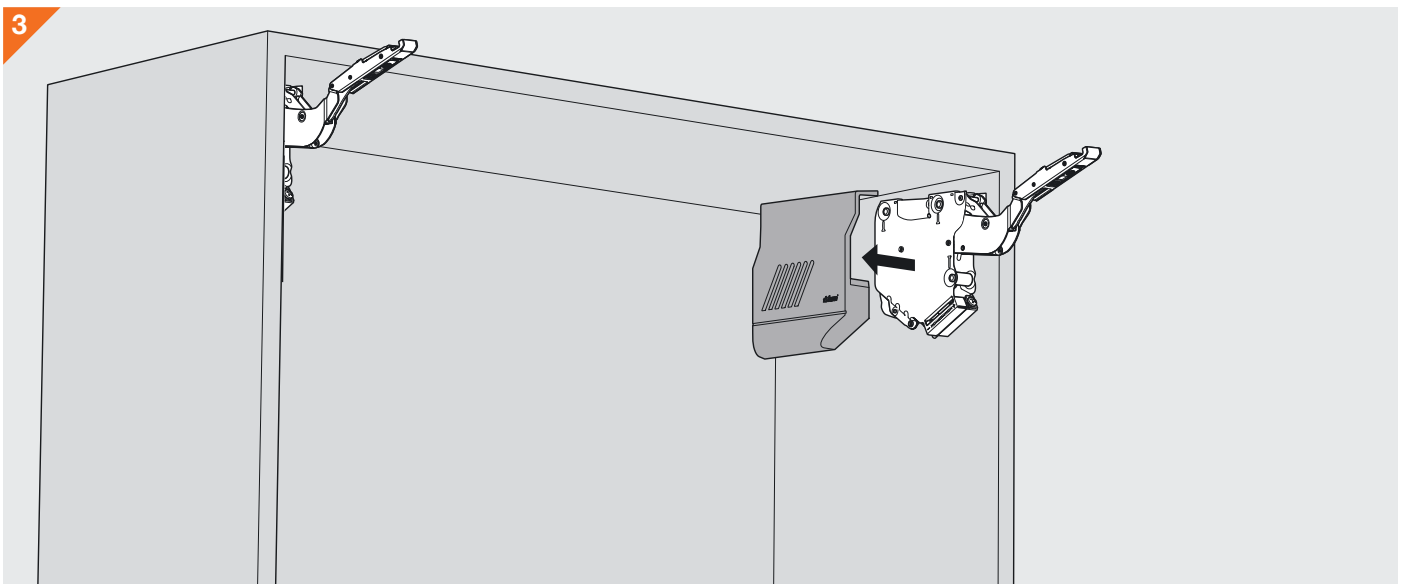
Warning



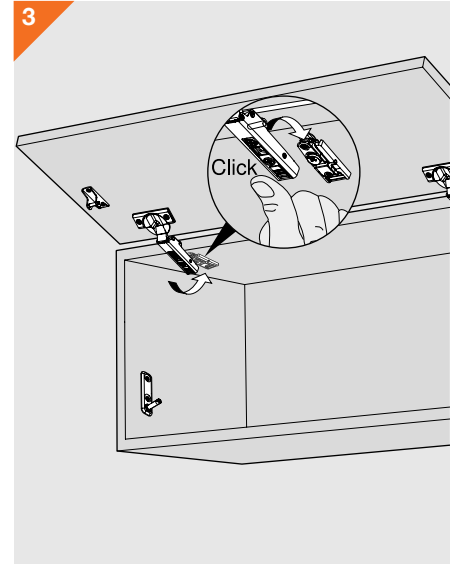
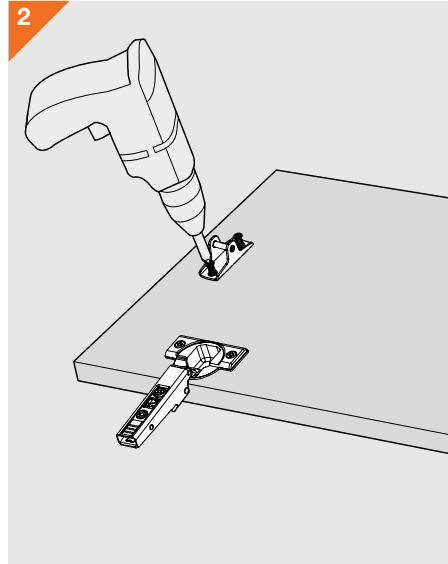
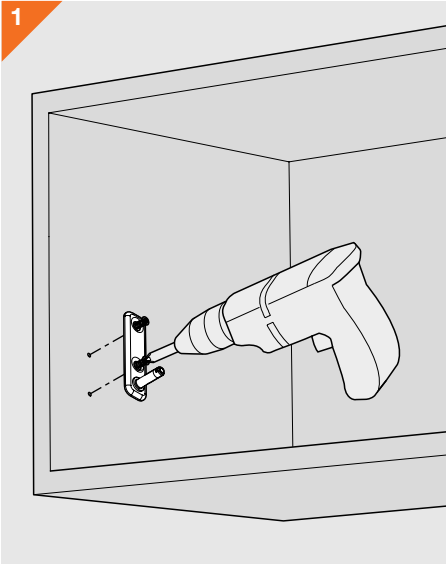
Lever could spring up and cause injury!



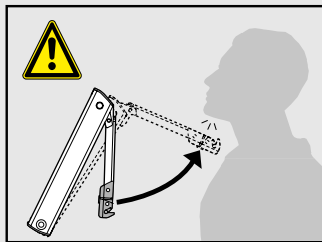
Do not push down/depress lever.



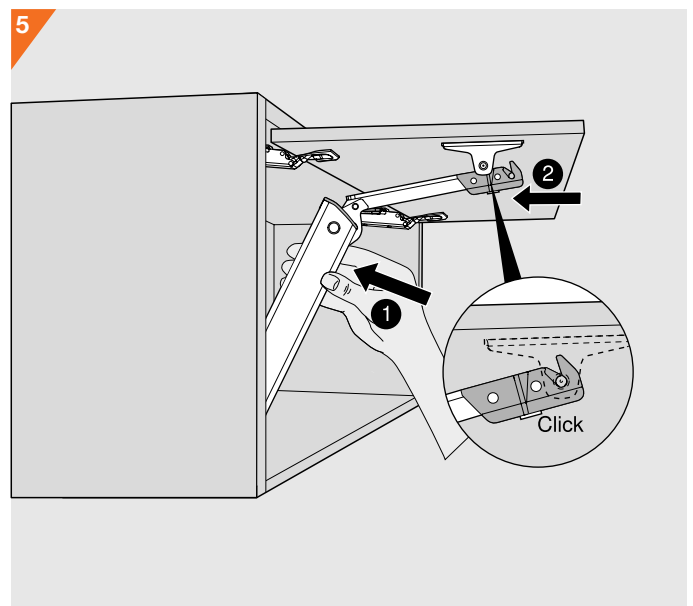
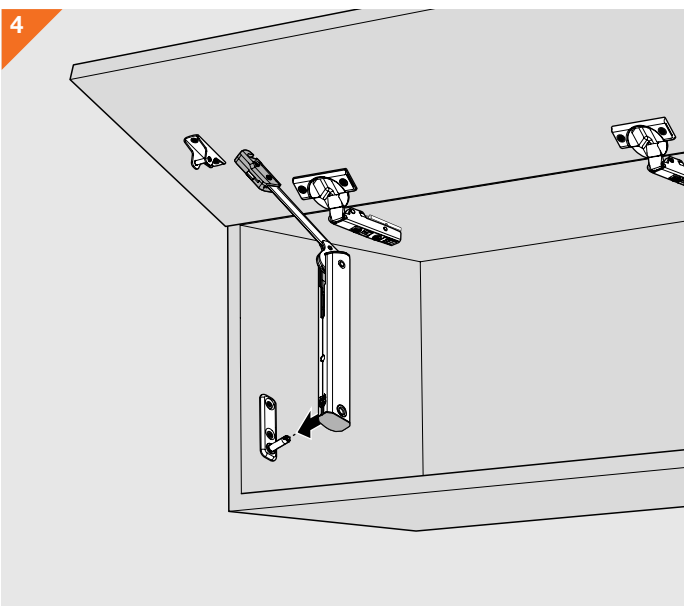
Assembly



Warning

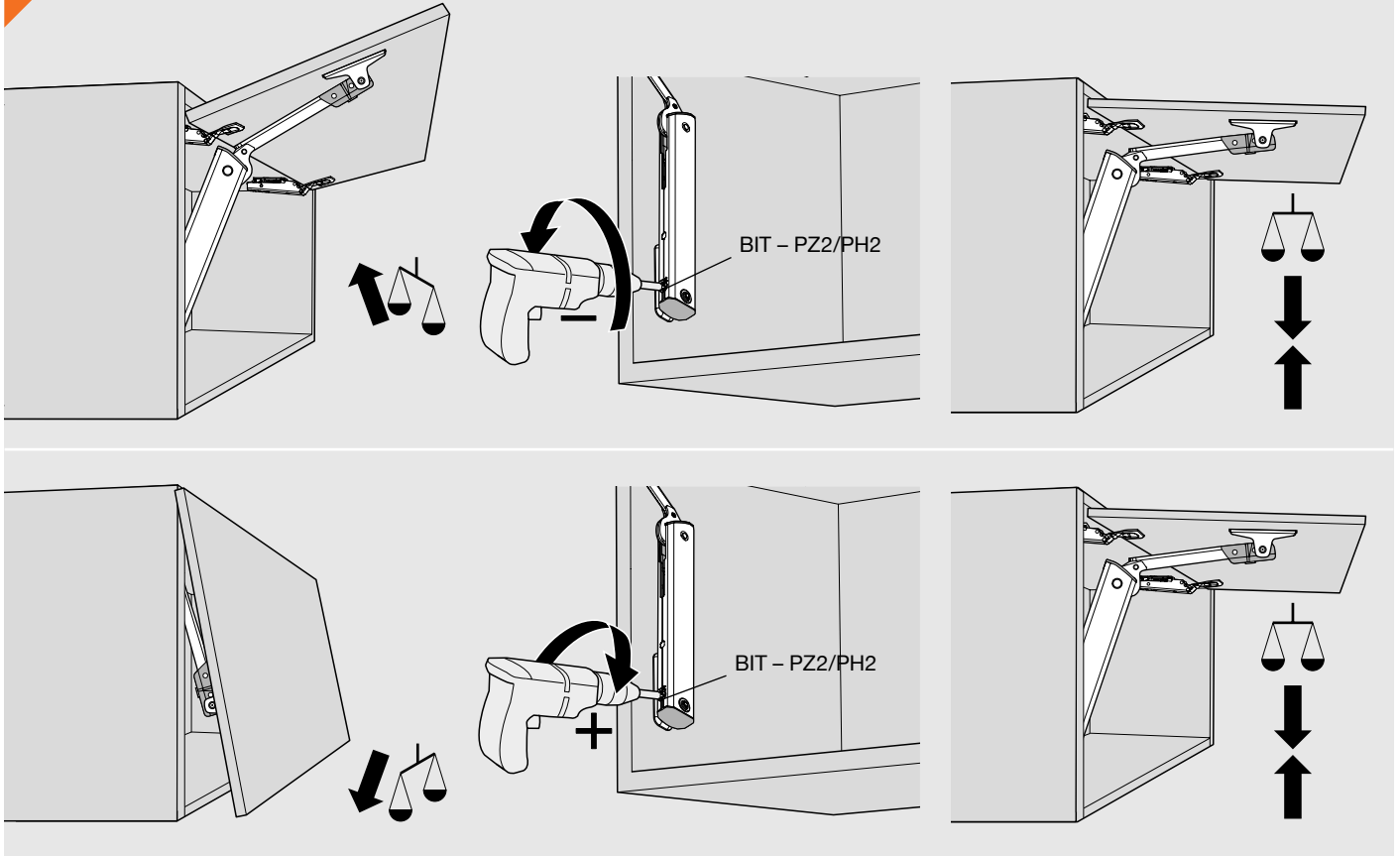


Do not close the lever arm!  
Lever could spring up and cause injury!

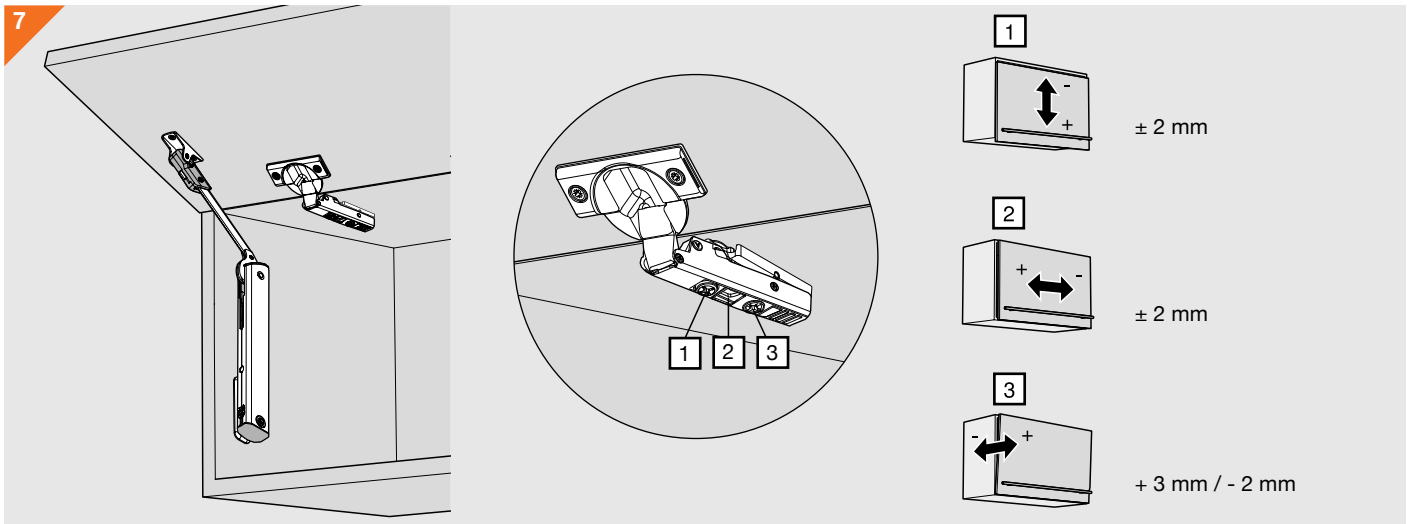


Adjustment

6

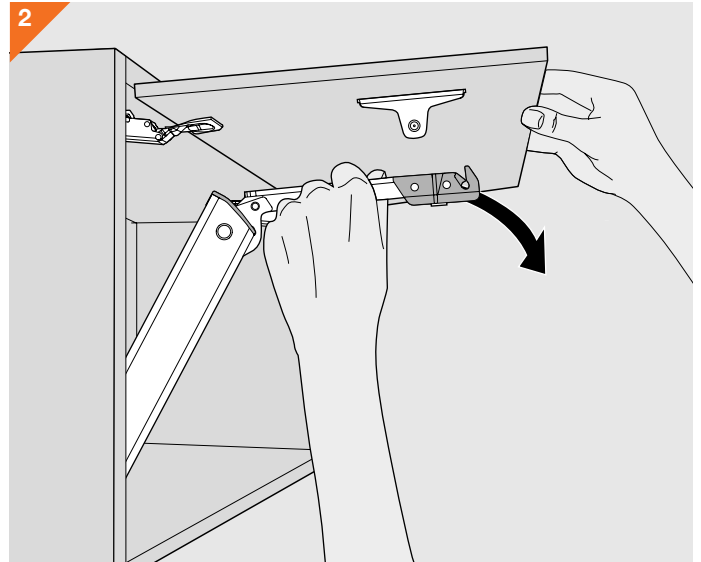
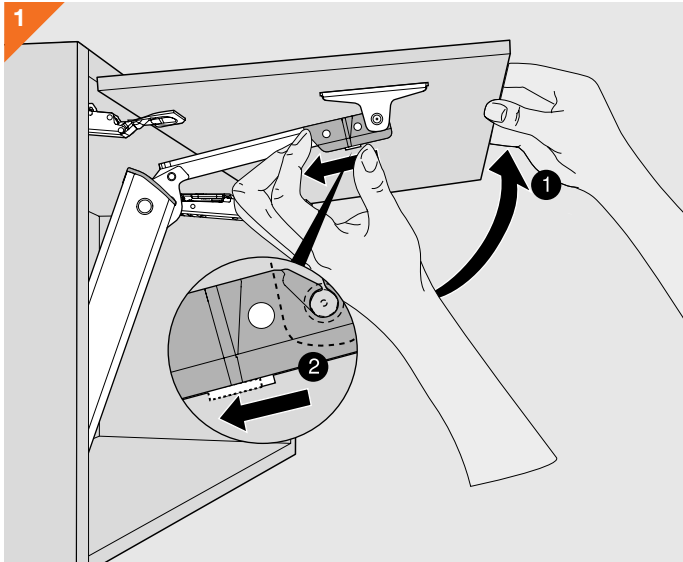


7

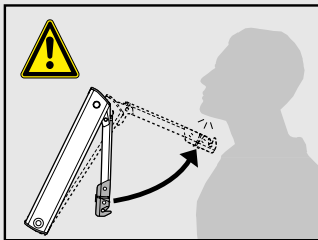




## Removal



## Warning



Do not close the lever arm!  
Lever could spring up and cause injury!

# Blum

Founded over 60 years ago by Julius Blum, today Blum is an internationally active family-owned company. Blum is trusted and renowned worldwide for designing a comprehensive range of high quality industry leading products that significantly enhance user convenience and ergonomics in the kitchen and throughout the home. That's why we make every effort to perfect the motion of our lift, hinge, box and runner systems.





### Design is more than an attractive appearance

Form, function and the focus on perfecting motion are and have always been firmly interlinked at Blum. This means that Blum products turn the use of high-quality furniture into a true experience and offer the ideal fitting solution for every home. Blum incorporates current design trends, personal preferences and functional furniture use. Blum fittings are internationally recognised for their sophisticated design and functional excellence.



### Quality for the lifetime of the furniture

For over 60 years, quality has been the highest principle for the development and manufacture of Blum products. Our fittings exemplify quality with their well-thought-out function and durability, engineered to provide problem free use for the lifetime of the furniture. We achieve this by using the strictest internal guidelines and rigorous testing that form the basis of our ISO9001 Quality Management System.



### Innovation for high living comfort

We want our fitting solutions to be innovative and make everyday kitchen use easier. That's why our developments are based on findings from requirements research and input from our customers. Blum is one of the largest patent applicants in Austria and has more than 1,000 registered trademarks. CLIP, tool free assembly, TANDEM technology, MOVENTO technology, soft-close BLUMOTION and SERVO-DRIVE electrical motion support system are all innovations by Blum and milestones in the furniture manufacturing industry.



### Our contribution to the environment

Blum strives to minimise its environmental impact with environmental protection being an integral part of everything we do. We use environmentally friendly processes, use raw materials intelligently and save energy wherever we can. Our commitment to environmental protection is internationally recognised and rewarded. We endeavour to maintain and are always looking to improve our environmental management systems.





**ISO 50001**  
Certified Energy  
System



**ISO 9001**  
Certified Quality  
System



**ISO 14001**  
Certified Environmental  
System

**Blum Showrooms  
Sydney (Head Office)**

10 Blackbird Close  
Len Waters Estate NSW 2170  
Ph: 02 9612 5400

**Adelaide**

179 Railway Terrace  
Mile End SA 5031  
Ph: 08 8118 6070

**Brisbane**

6/39-45 Compton Road  
Underwood QLD 4119  
Ph: 07 3135 9490

**Melbourne**

245 Ferntree Gully Road  
Mount Waverley VIC 3149  
Ph: 03 9982 1720

**Perth**

3/50 Howe Sreet  
Osborne Park WA 6916  
Ph: 08 6467 0110

Place distributor or company contact details here.

**Blum Australia Pty. Ltd.**  
P.O. Box 1615  
Green Valley NSW 2168  
Toll Free: 1800 179 186  
E-Mail: [info.au@blum.com](mailto:info.au@blum.com)

 **blum**<sup>®</sup>