



Solutions for your Perimeter Security

Melbourne

Sydney

Brisbane

Perth

Phone: 1300 364 864

www.magneticautomation.com.au





Magnetic Automation Pty

Magnetic Automation Pty Ltd has been part of the Perimeter Security industry for over 30 years. We are part of the global Magnetic Autocontrol Group which is a worldwide leading manufacturer of barriers, security gates, turnstiles, parking systems and other related pedestrian access control technologies. Our experience and global strength allows us to offer our customers both standard and custom user-specific solutions. The global headquarters of the Magnetic Autocontrol Group is situated in Germany, with six subsidiaries in Australia, China, India, Malaysia, Brazil and USA.

Today in Australia, Magnetic Automation has a presence in every state, with Head Office in Tullamarine Victoria, and key branches in Western Australia, Queensland, and New South Wales. Our core competence lies in our knowledge of motor and drive engineering and our concept and project activities. This is a major advantage in numerous market segments; particularly if stringent requirements are placed on the product. Our globally recognised high standards of quality and the reliability of our products, our competence, customer-orientation and market focus, makes us an Industry Leader.

With our extensive experience within industrial and commercial applications, we are able to provide customised and stylish solutions to meet our customer's needs. Our products find applications within mining, rail, corporate, government infrastructure, military and general industrial sites.

Our product range includes: Traffic Barriers, Pivot Barriers, Sliding Gates, Swing Gates, Turnstiles, Automatic Fare Collection Systems, and Rising Steps.

All our products are supported by a comprehensive preventative maintenance, service and spare parts programs.

Head Office - Melbourne

Email: info@magnetic-oz.com

Perth

Email: wasales@magnetic-oz.com

Sydney

Email: nswsales@magnetic-oz.com

Brisbane

Email: qldsales@magnetic-oz.com

OUR RANGE

- SLIDE GATES
- SWING GATES
- TURNSTILES
- TRAFFIC BARRIERS
- RISING STEP
- RETRACTABLE BARRIERS
- CONTROL PILLARS
- MAGNETIC MOTION

We are proud members of the following associations:



Slide Gates

STG, MTG, MHG, MCG

Magnetic Automation is a world leader in the manufacture of Cantilever and Track Security Slide gates and we are able to tailor a solution for most applications.

The STG high security cantilevered gate has been a market leader for over 25 years and is complimented by other types of gates including the MTG track gate, MCG security cantilevered gate and the MHG Modular Cantilever gate.

Security gates can be built to custom requirements including gate speed adjustments.



MTG – Slide gate incorporating ground tracks



STG – High end security commercial applications



MCG – Suitable for commercial applications



MHG – Modular gate

Light Weight Gate

MTL – LIGHT WEIGHT TRACK GATE

MSL – LIGHT WEIGHT CANTILEVERED GATE

New to our product range the MTL Light Weight Track Gate and MSL Light Weight Cantilevered Gate. Ideal for light commercial applications, these budget conscious gates are ideal for environments such as small factories and premises requiring infrequent operation. Gates are constructed from pre-galvanized steel and are powder coated to individual colour requirements. Sizes range for openings from 3 meters to 7 meters, and heights of 1.8 meters and 2.1 meters (with or without pressed spears).

MTL - Light Weight track gate suitable for light commercial applications up to 7 metres in length



MSL - Cantilevered gates do not require either ground or above ground tracks



Swing Gates

VEHICLE CONTROL - MSG

Magnetic Automation offers a range of different size Security Swing Gates (max 7 meter each leaf) for the controlling of vehicular passage at security access points.

Gates are designed to suit specific applications and can be strengthened for high wind and cladding requirements.

A range of compatible drive motors for Swing Gates are available to suit each application.

PEDESTRIAN CONTROL – MSG1.2 & 1.5

The MSG extended range includes Swing Gates for pedestrian control with gate widths of 1.0 metres to 1.5 metres.

RAILWAY – MRG

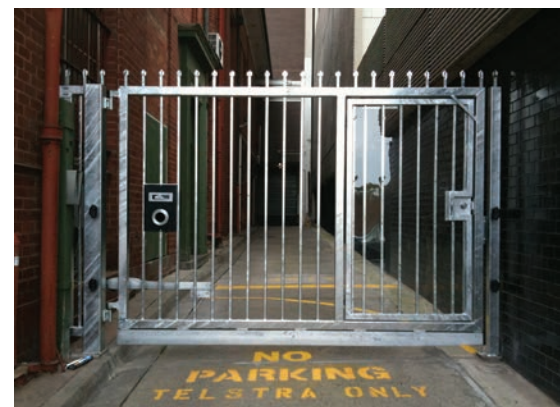
The MRG series for Railway Gates are designed for the control of pedestrian traffic through rail level and foot crossings, particularly where safety and high usage are of importance.

The design of the Automatic Pedestrian Gate is highly vandal resistant and all components are of robust construction.

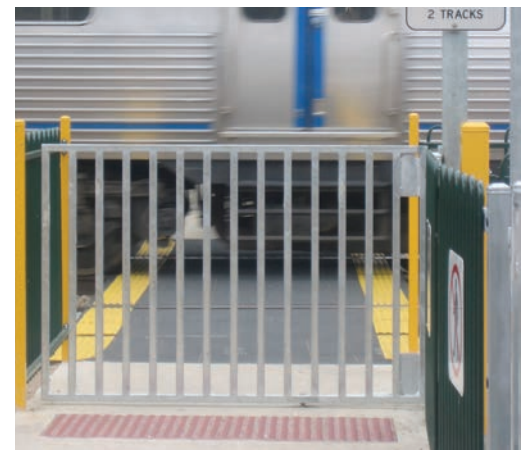
The Magnetic Automation torque drive motor has a protective indexing clutch and shock absorbing springs built in to prevent internal damage for instances where the gate is forced against its motion during operation. The torque motor can be installed in any position without overheating or suffering any damage.



MSG – Vehicle Commercial



Vehicle combined with Pedestrian Gate



MRG – Typical Railway application



MSG – Pedestrian Gate



Customised MSG combined with Control Pillar & Collision Bollard

Turnstiles

FULL HEIGHT – MPT

The MPT full height Security Turnstile is designed to control areas usually in perimeter locations outside a principal building. Full Height Turnstiles can be used for bi-directional access control applications and have passage frequency rates of 15 to 20 people per minute.

The turnstile consists of a cylindrical cage and a centre column with 3 x 120 degree offset bars fitted with electro-mechanical locking system. These turnstiles can be activated from card readers and a variety of other remote devices.

HALF HEIGHT – MPP & MPS

Magnetic Automation offers a range of MPP Pedestrian Pivot Barriers and MPS Pedestrian Swing Gates designed to control pedestrians entering or exiting low security controlled areas.

The MPP tri-arm design can be used in bi-directional control applications with high volume pedestrian traffic. The units provide cost effective tailgating deterrence by utilizing a tri-arm configuration with 3 x 120 degree movement.

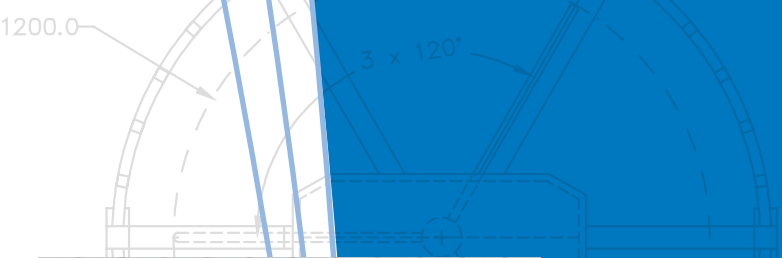
The MPS is suitable for either one-way or two-way bi-directional mode. The MPS gate can be used to compliment out Turnstile and Retractable Pedestrian barriers, especially where passage of larger items are required.



MPP – Tri-arm design with bi-directional control



MPT Turnstile – Fully "risk assessed" industry product leader



25

2340.0

2050.0



MPS – Can be combined with Retractable Barriers

10

145.0

MHTM™ Microdrive



Full customisation options including barrier colours and personalised boom arms

Introducing the newest technology in traffic barriers - MHTM™ MicroDrive. The MHTM MicroDrive family of barriers are the successors to our highly successful and reliable – MBE, MIB & MTS. The innovative drive technology of the MHTM™ offers low maintenance, high performance and a variety of operational modes & speeds. The drive mechanism with its integrated servo control and the compact high performance gearing provides safe and reliable operations over a long life.

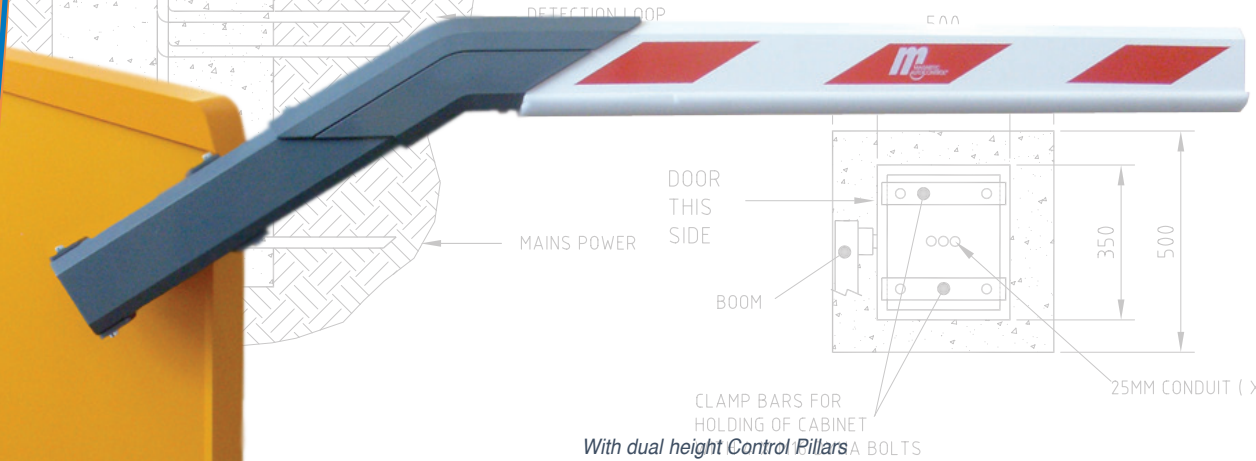
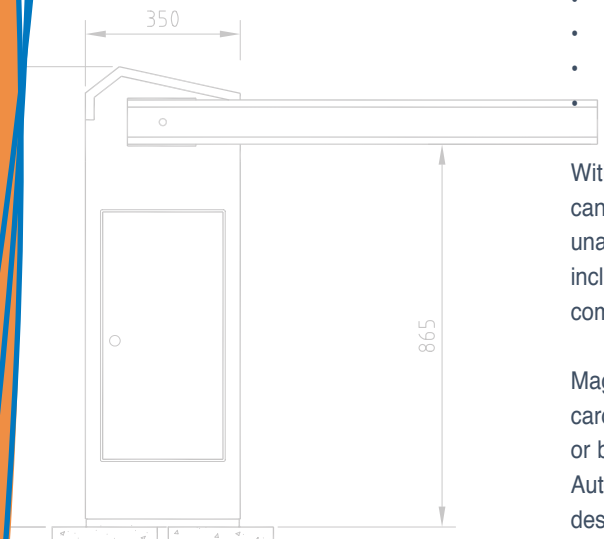
The revolutionary drive solution is complimented by the newly designed MGC control with integrated detectors. Easy configuration and set-up is supported by a large LCD display and simple user interface.

MHTM™ Features:

- 75 % less power consumption
- MHTM™ drive - maintenance free
- Improved connectivity (I/O, TCP/IP, USB, CAN, etc.)
- Stylish & Modern design - customisable

With Magnetic MHTM™ MicroDrive Traffic Barriers, you can control access into car parks or private property where unauthorised vehicles are not permitted. Other applications include multi-storey car parks, hotel garages, caravan parks, commercial buildings and hospitals.

Magnetic Automation Traffic Barriers can be controlled by card access systems, remote control, token or coin acceptors or by simple push button. All Traffic Barriers include Magnetic Automation's unique VarioBoom arm which is ergonomically designed for faster opening efficiency.



New Generation of Traffic Barriers



ve – Traffic Barrier

MAGNETIC PARKING

The Magnetic Parking Barriers are a complete and cost effective barrier solution for parking systems. The design is complimented by impressive high based functions that are suitable for most applications.

- The Magnetic Parking (base) model comprises of: the barrier housing; the MGC control unit; an integrated 2-channel vehicle detector module; the VarioBoom barrier from 2.5 metre lengths to 3.5 metres; and is available in our popular Magnetic Classic Orange colour.
- The Magnetic Parking Pro model is suitable for applications requiring higher cycle times with short opening times of 1.3 seconds. The Pro model combines: the barrier housing; the MGC Pro control unit which provides the capability of a higher throughput of vehicles; an integrated 2-channel vehicle detector module; the VarioBoom barrier from 2.5 metres lengths to 3.5 metres; and a choice of either our popular Magnetic Classic Orange colour or a new two-tone grey option.

MAGNETIC ACCESS

The Magnetic Access Barriers are an efficient solution for access control to public parking venues, company premises or other similar applications. This range is available in four models.

- The Magnetic Access (base) model comprises of: the barrier housing; the MGC control unit; an integrated 2-channel vehicle detector module; the VarioBoom barrier from 3.5 metre lengths to 5 metres; and is available in our popular Magnetic Classic Orange colour.
- The Magnetic Access Pro model comprises of: the barrier housing; the MGC Pro control; an integrated 2-channel vehicle detector module; the VarioBoom barrier from 3.5 metres lengths to 6 metres; and a choice of either our popular Magnetic Classic Orange colour or a new two-tone grey option.

OTHER TRAFFIC BARRIERS

Horizontal barriers are also available and these are used for traffic lane blocking systems where the turning direction for the blocking function is always opposite to the driving direction.

For more specific custom solutions we have available large barrier arms up to 10 metres. Articulated boom arms for all models are available. These are used for applications with low ceiling heights.



Traffic Barrier - Magnetic Automation's top selling product



Heavy duty traffic barrier with boom arm lengths up to 10 metres



Fast opening & closing times and suitable for extreme climatic conditions



Combined with vehicle height Control Pillar and Collision Bollard

Rising Step

MRS

The Rising Step Barriers are designed to prevent unauthorised vehicles from crashing through controlled entry and exit points. Built for fast, reliable and efficient operation, these barriers are capable of withstanding high impact loads and are ideally suited for high security installations such as prisons, security centres, and in government defence facilities.

The frame and structure of the Rising Step Barriers is fabricated from heavy gauge steel, fully welded prior to hot dip galvanising, which ensures maximum protection against corrosion.

The Rising Step Barrier is operated by 2 parallel high speed hydraulic cylinders. A power pack containing an electric motor-pump assembly and an accumulator is installed adjacent to the barrier in a lockable enclosure.

Accessories including traffic signals, safety beams or loop detectors are recommended and may be provided to suit specific applications.



Rising Steps commonly used in correctional facilities



Government installation



Hydraulic Power Plant

Rising Step in action





MPH - High Doors suitable for medium to high security environment

Retractable Barriers

MPR – FARE COLLECTION & HIGH VOLUME

The MPR Retractable Barrier is designed to control pedestrians entering or exiting restricted areas, usually under surveillance in low security situations. The aisle is blocked by means of a retractable triangular wing made of aluminium core construction covered by PU-foam. An acrylic glass wing is also available.

Typical applications include:

- Train Stations
- Airports
- Sports stadiums
- Museums
- Company Foyers
- Public conveniences.

Various optional access control devices such as card readers, can be accommodated on a stainless steel fascia panel located at each end segment of the pedestrian barrier.

HIGH GLASS DOOR - MPH

The MPH Pedestrian High Door has a horizontal sliding access control and locking mechanism, and is also used for areas requiring low security surveillance. The doors can be programmed to close immediately after a pedestrian has walked through, or after an adjustable time-out period. The Pedestrian High Door can be operated in “closed mode” for either single or bi-directional control.

Typical applications include:

- Airports
- Medium to high security environments



MPR - High volume efficient Pedestrian access



MPH - Retractable Barrier in a company foyer



MPR – Fare Collection

Control Pillars

MKA 1P, MKA 2P

The Magnetic Control Pillar complements our Traffic Barrier Range in both dimension and design. The access control unit or switches can be installed in the aluminum front plate in accordance with customer requirements. The operating height of the control unit is designed for cars and is also available for truck height.



Incorporating access control



Double Control Pillar with Traffic Barriers



Car, truck and combined heights available

Rising Bollard

RISE – MADE IN ITALY

Our exclusive range of RISE Bollards are made in Italy and designed to secure areas from unauthorised traffic. These innovative electromechanical bollards have functionality for TCP/IP, and UPS device rechargeable by solar panels. They are easy and efficient to install and require very low maintenance. Available in stainless steel or powder coated.

Single controller use



Bollards can be controlled individually or in a multiple configuration

Typical applications:

- Apartment driveways
- Building entrances
- Sporting stadiums
- Public Access areas
- Parking lots with restricted access times

Magnetic Motion

The Magnetic Motion branded range of drive motors combines quality, performance and affordability for swing and slide gates, and gate hardware. Fully imported from Italy this range of Motion products include drive motors for swing gates up to 5 metres in width and drive motors for slide gate drive motors up to 2,000kg in weight.

A full range of gate hardware and accessories including safety PE beams, flashing lights and vehicle detectors are also included in the Motion range.

The latest range of Magnetic Motion controllers and motors provide quick and easy installation.

Our full range can be seen at the following website:

www.magneticmotion.com.au



24Vdc Slide Motors suitable from 500kg to 1000kg gate leaf



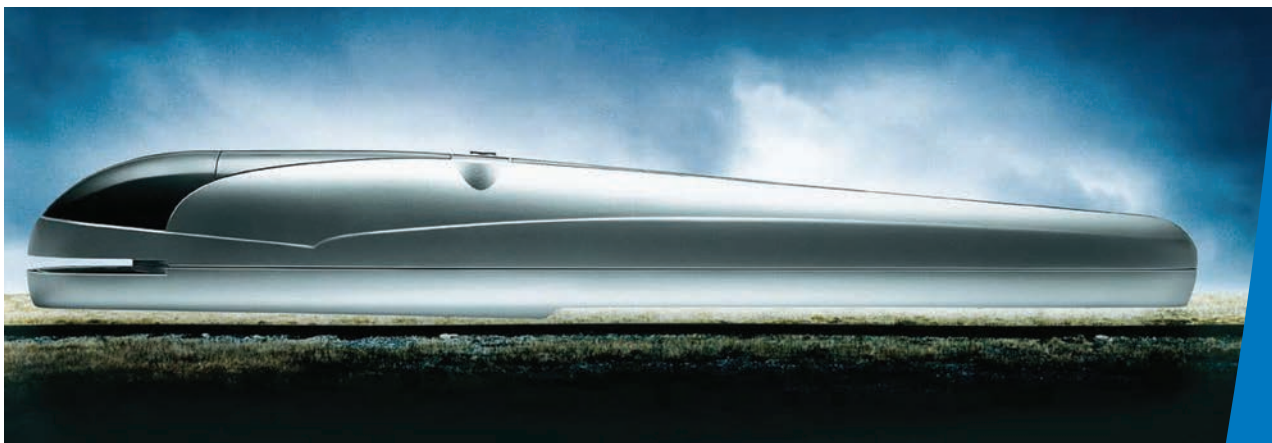
Underground Swing Motor suitable for up to 3 meter gate leaf



Typical Domestic Swing Gate application



Articulated Swing Arm Motor suitable up to 3 meter gate leaf



Linear Swing Arm Motor suitable from 2.5 metres to 5 metres



Vehicle Barriers

- Perimeter Access
- Car Parking
- High Security
- Traffic
- OEM



Pedestrian Gates

- Facility Access
- Immigration
- Boarding
- Transportation
- OEM



14a Tullamarine Park Rd,
Tullamarine, Victoria.,
Australia 3043
T +61 3 9339 2900
F +61 3 9339 2999