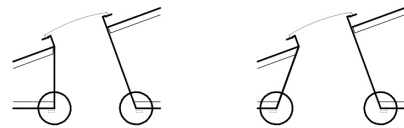
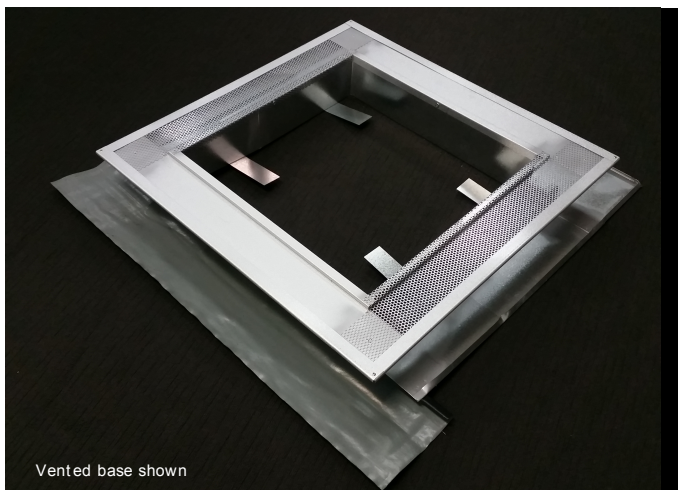


## TSD – TRADITIONAL SKYDOME FOR TILED ROOFING

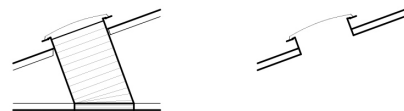
The fully flashed metal framed skylight, specifically designed for Australian conditions. Skydome's large range of sizes and glazing options enables designers to specify an energy efficient means of providing natural light and ventilation, while working to any budget or design requirement.

### Unique Benefits

- Extensive range of glazing options.
- Direct flow system (DFS) providing primary and secondary water course on the base flashing.
- UV skyguard acrylic - provides 99% UV blockout.
- Lead - flashing that is environmentally safe and practical.
- Thermoformed acrylic glazing ranging up to 2000mm x 2000mm as one piece. **No glazing bars required!**

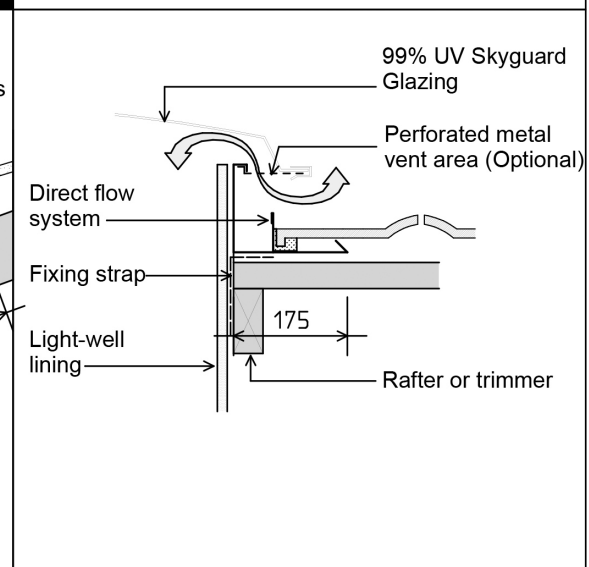
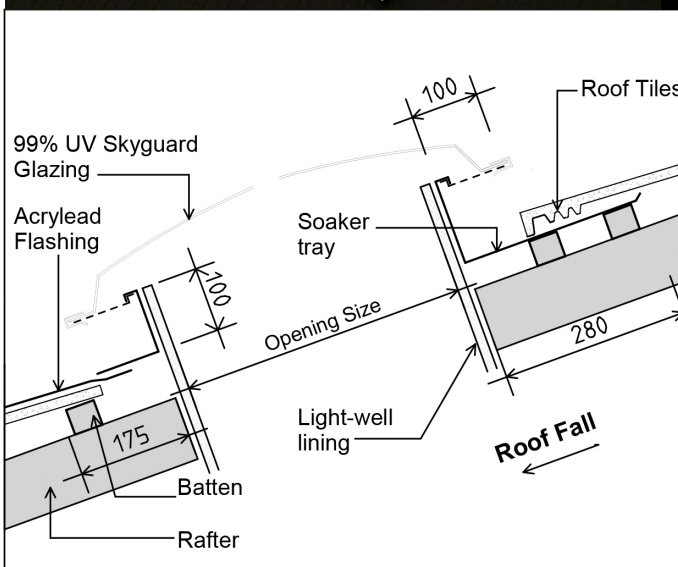


"Splayed Light-well".  
Using Plasterboard (by others) or MDF with architraves



Skyflex™ Flexible Light-well liner.

For Cathedral Ceilings.



# TSD – TRADITIONAL SKYDOME FOR TILED ROOFING

## Specification

Skylight to be Traditional Skydome Skylight, model number TSD\_\_\_\_\_ for tiled roofing, as manufactured by Skydome Skylight Systems Ltd. Roof opening size \_\_\_\_\_mm x \_\_\_\_\_mm

The Skydome is to be ventilated/non-ventilated with base manufactured from (state material). The glazing is to be:

Glass  Acrylic  single glazed  double glazed  Opal  Clear  Tint  
 Acrylic Dome  Hi-impact Dome  Polycarbonate Dome Other \_\_\_\_\_

The base is to be colour-coated \_\_\_\_\_ to match the roof colour.

## Tech Specs

### BASES

All bases are supplied as an easy to install one piece unit manufactured from zincalume with an acylead apron and are specifically designed for easy watertight installations on tiled roofing. Where required, also available in

- Aluminium
- Copper
- Stainless steel

### COLOUR COATING

Base can be colour-coated to match roof colour.

- Nominate colour

### GLAZING

A Skydome is normally supplied with a modern, low silhouette 3mm opal, clear or tinted UV stabilized Skyguard™ acrylic, however 4.5mm and 6mm acrylic are also available and any other glazing type or profile can be specified as required.

As a guide, Hi-impact acrylic or polycarbonate is ideal for public amenities and schools, while Laminated glass can be specified for a low profile look or in areas where fire hazard is a concern. For more information refer to specific tech specs for pyramid, circular, non-combustible and sound rated skylights.

### VENTILATION

A Skydome can be supplied vented, non-vented. Vented units are recommended for wet areas such as bathrooms, laundries, ensuites and toilets. Non-ventilated units are normally recommended for all air conditioned areas of the home. Mechanical ventilation can also be incorporated with a Skydome with the use of a Skyfan. This can be mounted in the dome or at roof level.

## Compliance

All Skydome Skylights are third party certified to comply to AS4285. Certification for fire, acoustic, cyclonic and energy efficiency properties are available as required. Skydome is Basix ready.

## Warranty

All Skydome Skylights and installations carried out by Skydome tradesman are guaranteed for seven years. All electric components carry a 12 month guarantee and other accessories such as exhaust fans and blinds are subject to the original manufacturer's guarantee.

## Maintenance

The domed glazing and the roof slope provide a self cleaning action, however, it is recommended that soapy water or a detergent solution be used to clean when necessary. The base and flashing tray should be kept clear of leaves and debris.

## Accessories

### SKYFAN

Combines skylight with mechanical ventilation system mounted in the glazing or at ceiling level to meet forced ventilation needs.

### SKYSHADES

Block-Out blinds or Solar-Control blinds are available for light and heat control.

### DIFFUSERS

A range of optional ceiling diffusers are available. Choices include prismatic, eggcrate and sea-drift.

## Product Data/Size Range Additional/custom sizes manufactured to order

| Square Base        |                      |                           | Rectangular Base   |                      |                           |
|--------------------|----------------------|---------------------------|--------------------|----------------------|---------------------------|
| Specification Code | Opening Size mm x mm | Light Area m <sup>2</sup> | Specification Code | Opening Size mm x mm | Light Area m <sup>2</sup> |
| TSD550             | 550 x 550            | 0.303                     | TSD400/700         | 400 x 700            | 0.28                      |
| TSD800             | 800 x 800            | 0.640                     | TSD550/800         | 550 x 800            | 0.44                      |
| TSD1000            | 1000 x 1000          | 1.000                     | TSD550/1100        | 550 x 1100           | 0.605                     |
| TSD1200            | 1200 x 1200          | 1.440                     | TSD550/2100        | 550 x 2100           | 1.155                     |
| TSD1500            | 1500 x 1500          | 2.240                     | TSD800/1100        | 800 x 1100           | 0.88                      |
| TSD1800            | 1800 x 1800          | 3.240                     | TSD800/1400        | 800 x 1400           | 1.12                      |
| TSD2000            | 2000 x 2000          | 4.000                     | TSD800/2100        | 800 x 2100           | 1.68                      |

## Material Properties

| Material Description                 | Standard Acrylic | Standard Acrylic | Standard Acrylic                    |
|--------------------------------------|------------------|------------------|-------------------------------------|
| Type Thickness (3)                   | Opal 3mm         | Clear 3mm        | Tinted (1) 3mm                      |
| Shading Coefficient                  | 0.78             | 1.03             | Dependent upon colour and thickness |
| Light Transmittance Average %        | 53               | 92               | Dependent upon colour and thickness |
| Solar Energy Transmittance Average % | 58               | 88               | Dependent upon colour and thickness |
| Impact Strength (J)                  | 2.3              | 2.0              | Dependent upon colour and thickness |

Notes: (1) Data on colours can be provided once colour selection is made (this also applies to high impact) (2) Used where high impact strength is required (3) Other thickness, i.e. 4.5mm and 6mm, available.