

Doric is the largest privately owned hardware manufacturer in Australia supplying innovative and industry leading door and window hardware for Residential, Commercial, Timber, Security and Architectural applications.

If you need any type of hardware for windows and doors talk to us at Doric! We also can create customised product to give you a unique offering and competitive advantage in the market.

**Melbourne**

U1/34-36 Deans Crt,  
Dandenong Sth, Vic 3175  
Ph: 1300 132 389  
Fax: 1300 652 292

**Brisbane**

U1/90 Pritchard Rd,  
Virginia, QLD 4014  
Ph: (07) 3865 7637  
Fax: (07) 3865 7645

**Perth**

2 Meares Way  
Canning Vale WA 6155  
Ph: (08) 9248 4133  
Fax: (08) 9248 4933

**Adelaide**

Unit 2 / 52 Wodonga St  
Beverly SA 5009  
Ph: 1300 132 389  
Fax: 1300 652 292

**Townsville**

U1/42 Carmel St,  
Garbutt, QLD 4814  
Ph: (07) 4779 5122  
Fax: (07) 4725 5495

**Asia Pacific**

7 Jalan Bulan U5 / 170  
Bandar Pinggiran Subang,  
40150 Shah Alam  
Selangor, Malaysia  
Ph : +60 3 7845 5017  
Fax: +60 3 7845 5014

**Auckland NZ**

32/D William Pickering Dr  
Albany North Shore  
NZ 0751  
Ph : +64 9 415 5535  
Fax: +64 9 415 5545



**HEAD OFFICE**

160 Newton Rd,  
Wetherill Park  
NSW 2164  
Ph: (02) 9609 2555  
Fax: (02) 9604 2910

**EMAIL CONTACTS**

[sales@doric.com.au](mailto:sales@doric.com.au)

**WEBSITE**

[www.doric.com.au](http://www.doric.com.au)

## DS2210 Sliding Screen Door Lock

### Hardware for Sliding Screen Doors





# DS2210 Sliding Screen Door Lock

The DS2210 Sliding Screen Door Lock is Doric's newest entry into the security market and provides the highest level of security yet.

Featuring a parrot beak deadlock and an inside snib the DS2210 is self latching and can be key deadlocked from both sides.

The optional multipoint slave kit increases protection for all sliding screen doors and offers value above and beyond what is currently available in the sliding screen door market.

Available in a range of colours this sliding screen door lock is non handed and suitable for both left and right handed doors.

## Features

- Suits either Left or Right hand sliding doors
- Parrot beak deadlock
- Key deadlock from both sides
- Self latching
- Inside snib
- Key overrides snib operation
- Accepts Doric Euro profile lazy cam cylinder locks
- Can only be key locked or snibbed when fully latched with striker
- Optional Multi Point kits available
- Zinc diecast furniture and locking mechanisms
- Tested & exceeds Australian and New Zealand AS4145 standards

## How To Order

DS2210 / Finish / Cylinder Option / Key No.  
 Lock / SB / DS186 / 96001



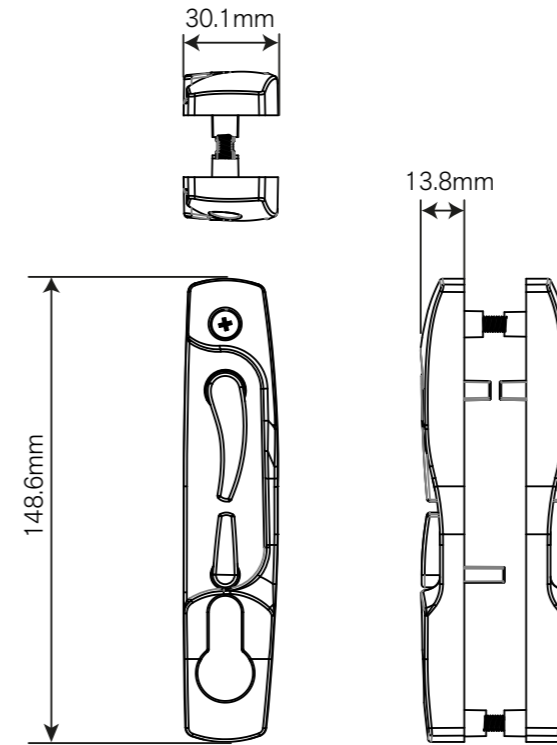
| Technical Specifications   |   |
|----------------------------|---|
| <b>Materials:</b>          | Zinc diecast  |
| <b>Finishes Available:</b> | Black, White, Primrose<br>Other colour available upon request.    |
| <b>Keying:</b>             | Doric Euro profile lazy cam cylinder locks<br>DS186, DS198, DS199 |



# DS2269 Slave Set

## DS2269 Slave Locks

3 point kit consists of 2 slaves, 2 rods & accessories.  
 The DS2269 suits all standard industry cut outs & can easily be retrofitted to existing openings.



## Rollers



DR227/S Adjustable Security Door Carriage  
-Spring Loaded



DR234/SL Security Door Carriage  
-Spring Loaded

| Roller   | DR Code | Order Code | Weight Rating |
|----------|---------|------------|---------------|
| Standard | DR6     | 9002093    | 20kg max load |

| Roller   | DR Code | Order Code | Weight Rating |
|----------|---------|------------|---------------|
| Standard | DR2     | 9002110    | 20kg max load |



DS2269 3 Point Kit