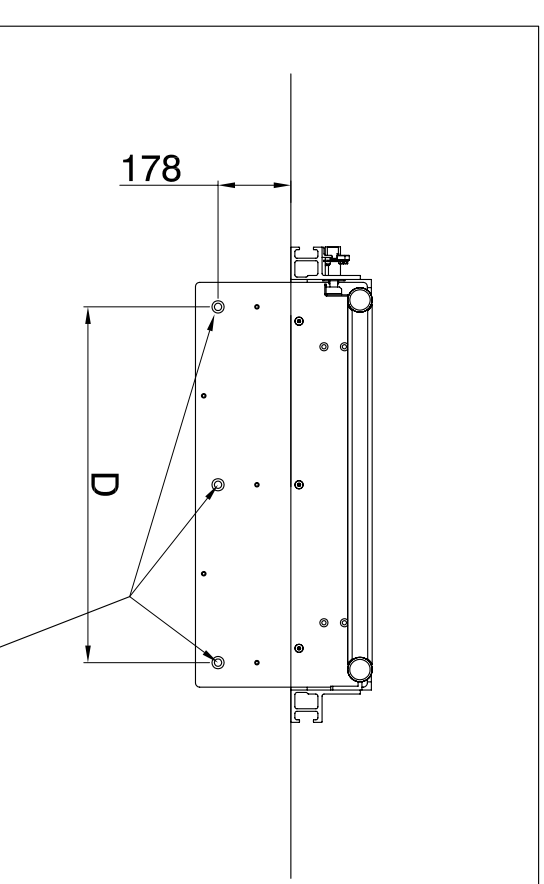
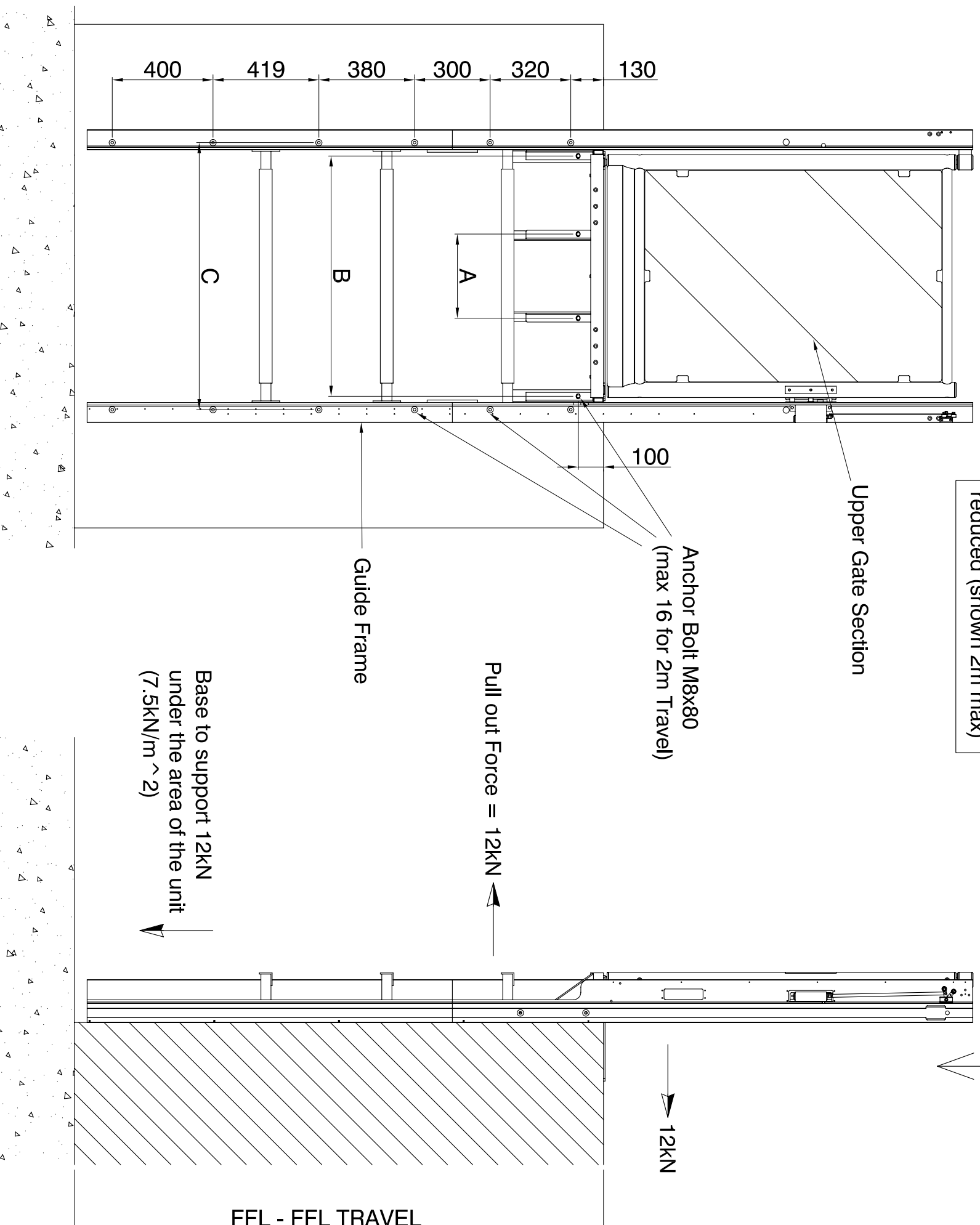


View on A -
Threshold Fixings



3no Chemical Fixings
M16x100, 12kN Shear
Load per fixing

Note :
Depending on travel the
number of fixings will be
reduced (shown 2m max)



Variable Dimensions

Platform Size	A	B	C	D
1400 x 800	295mm	855mm	960mm	770mm
1400 x 900	335mm	955mm	1060mm	870mm
1400 x 1100	395mm	1155mm	1260mm	1070mm

Platform Lift Company
Apsley Barrs, Apsley, Near
Andover, Hants, SP11 6NA
Tel - 01256 896000
Fax - 01256 896900
E-mail - info@platformlift.co.uk
website - www.platformlift.co.uk

TITLE
2m Step Lift - 500kg - LOADS

DWG NO. 2m Step Lift - 500kg - LOADS REV B

SCALE NTS DATE 10/8/10 DRAWN CR