

SpeedFrame

Non-penetrative support system for pipework, ductwork and cable trays



Affordable Flexibility

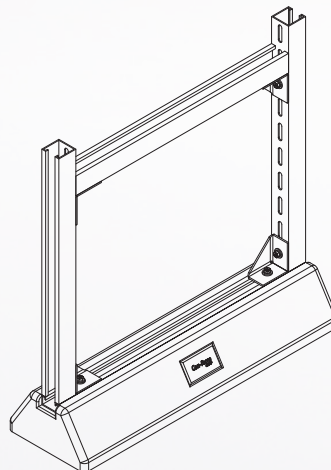
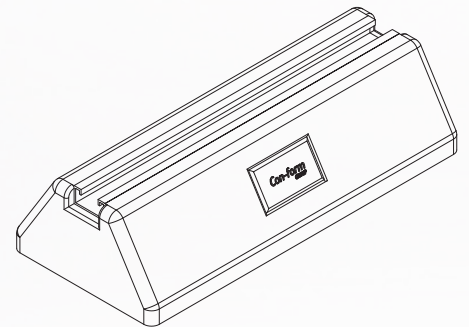
- Modular H-frame system with fast & simple installation
- Protect your roof membrane and insulation products from damage
- Rubber bases made from durable, high density, high quality recycled rubber
- Improve system aesthetics, with tidy management of pipes and ducts
- The free standing system eliminates penetrations
- System design allows water drainage & flow eliminating pooling & run-off problems

Versatile

SpeedFrame is available in 400mm or 600mm systems to suit your project's needs. **Quick and easy install.** SpeedFrame **bases will protect your expensive roof membrane and insulation products** from damage.

SpeedPlinth

Sizes: 250mm | 400mm
600mm | 1000mm



SpeedFrame Complete H Frame

Includes: SpeedPlinth, SpeedStrut, Standard Bolt Set & Channel Nut Set