

SPECIFICATION DATA SHEET - SOAP DISPENSERS

Billi™

Offering a contactless handwashing experience, Billi's hands free soap dispensers feature a 1000ml reservoir with the flexibility of either battery or mains power supply. The Billi soap dispensers have a unique electronic sensor built into the spout to automatically detect hand movement in the dispensing zone. The sensor soap dispenser range is ideal for use in food preparation, healthcare, aged care, residential bathrooms, childcare, schools and universities, commercial washrooms. Available in 3 modern designs.



Bench Mount



Wall Mount



Straight Wall Mount



Soap Reservoir Unit

FEATURES

- ✓ Touch free soap dispenser
- ✓ Contactless dispensing to maintain high hygiene standards
- ✓ Bench mount or wall mount designs
- ✓ Chrome, Matte Black, Brushed & Urban Brass finishes available
- ✓ Easy to install, with options of mains or battery power supply
- ✓ Supplied with large capacity 1000ml bottle
- ✓ User friendly and ergonomically designed
- ✓ Dispenses for a set time, min 0.5 seconds -> max 10 seconds. Custom settings available
- ✓ Suitable for use with liquid soap - non foaming

FINISH OPTIONS

CH

Chrome

BR

Brushed

MB

Matte Black

BB

Brushed Brass (Special orders only)

SOAP DISPENSER PRODUCT SPECIFICATIONS

Product code	Model name	Reservoir size	Max. dispense time
982410	Soap Dispenser - Bench Mount	1000ml	10 seconds
982411	Soap Dispenser - Wall Mount	1000ml	10 seconds
982412	Soap Dispenser - Straight Wall Mount	1000ml	10 seconds

TECHNICAL DRAWING & INSTALLATION REQUIREMENTS

WATER SUPPLY

N/A.

POWER SUPPLY

The Billi Soap Dispenser can be supplied with either battery or mains power.

Battery: 6V DC / 4 x 1.5 AA Batteries (not supplied)

Mains: 240V 10 Amp GPO

Transformer power supply lead is 1300mm long. All Billi Soap Dispensers are supplied with wall plugs and screws.

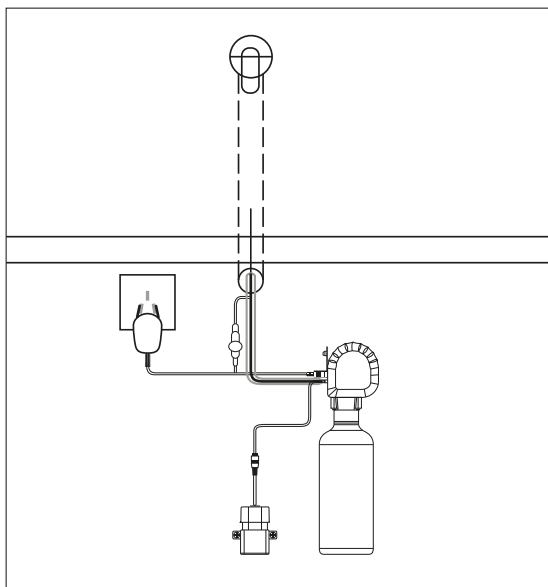
CERTIFICATIONS

The Billi Sensor tap is manufactured under a certified quality control system. Billi is ISO 9001 certified. Certificate number QEC11627.

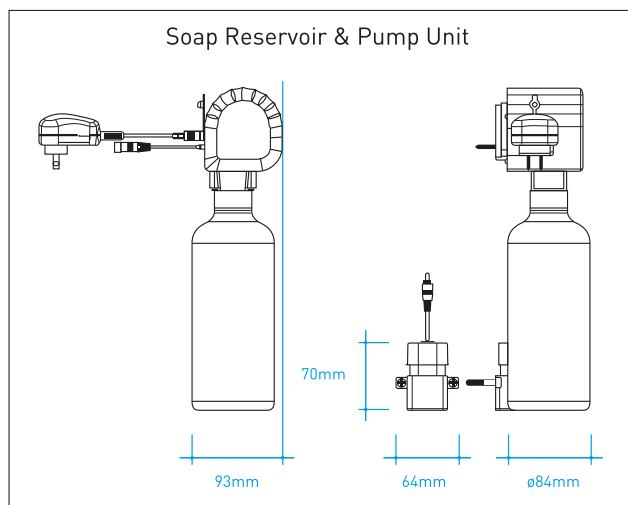
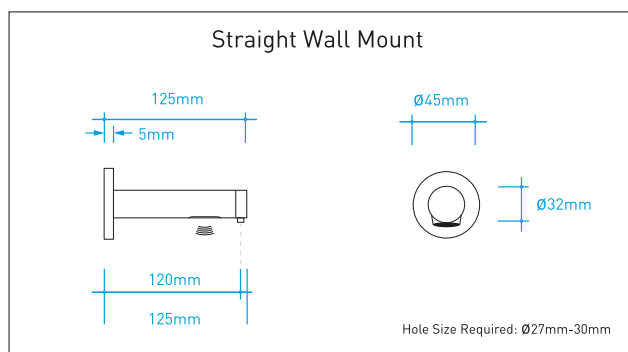
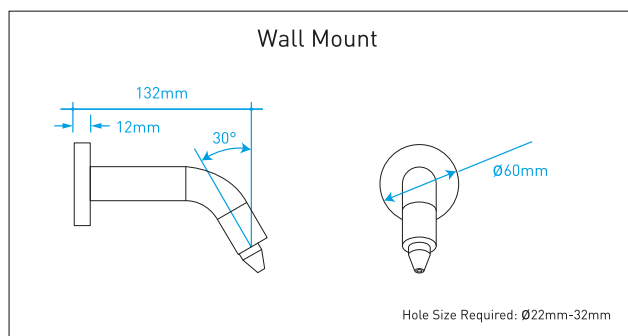
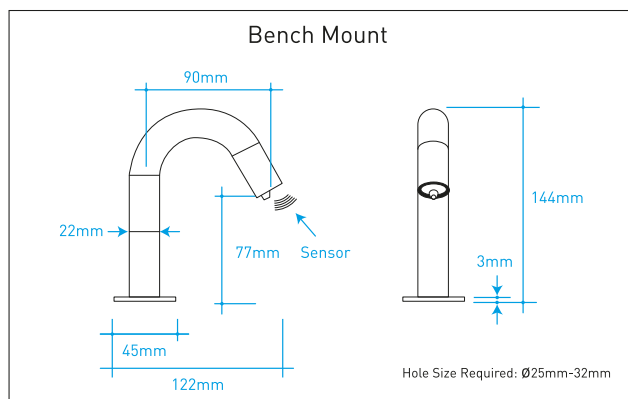
WARRANTY

All components of the Soap Dispenser range are covered by a comprehensive 12 month warranty on all parts and labour.

PREFERRED INSTALLATION LAYOUT



SENSOR SOAP DISPENSER DIMENSIONS



Billi™



Billi Australia Pty Ltd
42 Lucknow Crescent,
Thomastown, Victoria
3074 Australia

P 1800 812 321
F +61 3 9469 0499
W www.billi.com.au

visit us at

