

BENCH SEATING RANGE



BENCH SEATING Range – Completing the room

Excel's range of Bench Seating is manufactured from powdercoated steel with Tasmanian Oak hardwood slats – tough and durable. With a choice of single sided, doubled sided or fixed seating for use directly in front of the lockers, we have a seat to suit your needs.

Fixed Seating

Designed for use with our high base. Specially designed metal brackets are bolted to the front of the high bases. This keeps the floor area in front of the lockers free from seat legs, allowing for easy cleaning around the lockers.

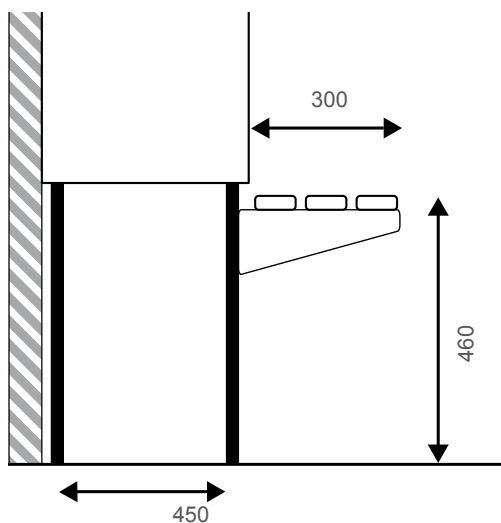
SPECIFICATIONS

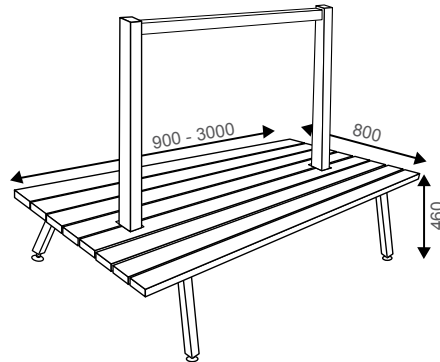
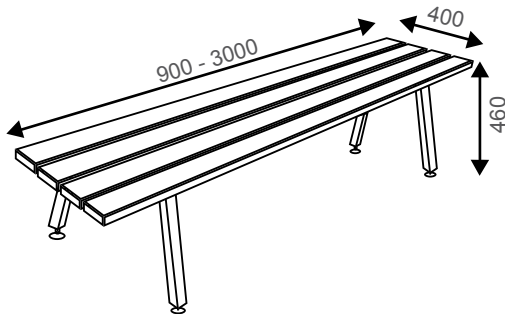
- Black powdercoat finish to brackets
- Timber clear finished - optional staining
- Seat width 300mm

FIXED SEATING CODES

Fixed Seat specified lengths = FS - length, e.g. FS-2400

Fixed Seat length to suit lockers = FS - locker run, e.g. FS-LR





Freestanding Range

SINGLE SEATING

Single width seats are made 400mm wide in any length from 900mm to 3000mm

SPECIFICATIONS

- Metalwork - Black (B), White (W) or Grey (G)
- Timber - Tasmanian Oak clear finished

SINGLE SEAT CODES

Single seat = SS - length - frame colour. e.g. SS-1800-B



DOUBLE SIDED SEATING

Double width seats are made 800mm wide in any length from 900mm to 3000mm - available with or without optional centre hanging frame with coat hooks.

SPECIFICATIONS

- Metalwork - Black (B), White (W) or Grey (G)
- Timber - Tasmanian Oak clear finished

DOUBLE SEAT CODES

Seat without hanging frame = DS - length - frame colour. e.g. DS-1800-B
Seat with hanging frame = DSH - length - frame colour. e.g. DSH-1800-B

OPTIONS

- Metalwork in selected powdercoat colour
- Timber stained to match sample or lockers

