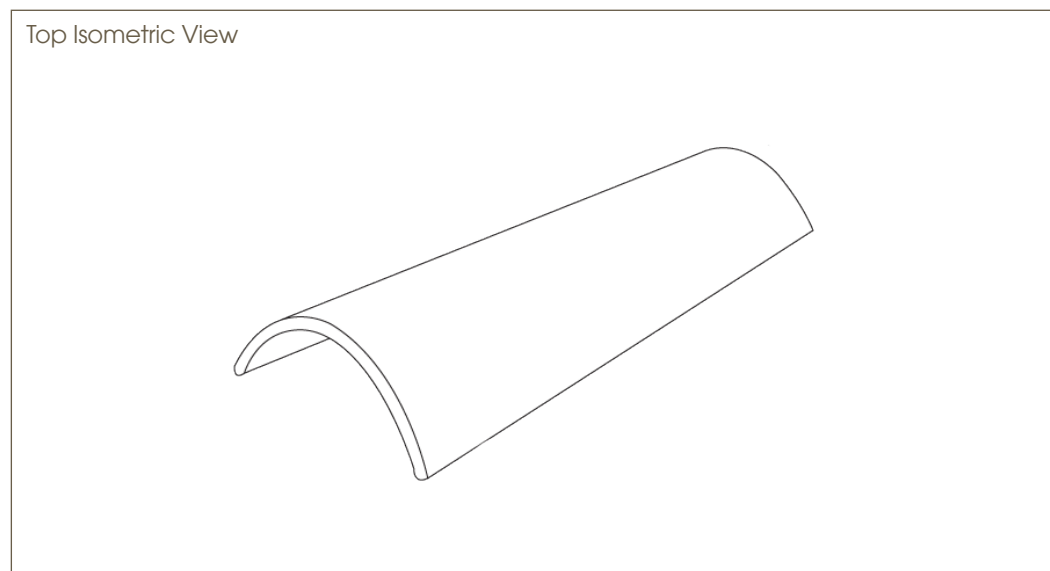


## PRODUCT DATA SHEET

Date: January 2012	Range Name: Medio Curva
Manufactured: Alicante, Spain	Profile Name: Medio Curva
Description: Terracotta Roof Tile	



Typical Properties	
Length (mm)	500mm
Width (mm)	210/160mm
Height (mm)	N/A
Watercourse Width	N/A
Average Weight / Unit	2.55 kg
Units per square metre	22
Average Weight per square metre	56 kg
Minimum Head Lap	70mm
Maximum Head Lap	150mm
Minimum Pitch with Sarking	10° - 90° (Roof Sheeting Mandatory)
Bonding Method	Laid Under and Over on another