



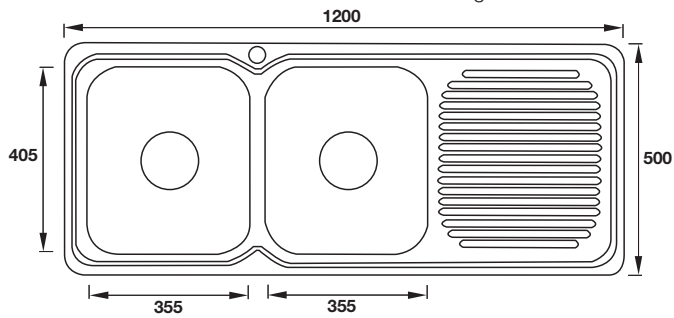
## Häfele Sinks & Mixers

affordable style

## Double Bowl Sink



Right hand drain shown



- Size: 1200 x 500 x 180 (L x W x D)
- Finish: Polished, stainless steel with rolled edge

| Handing    | Cat. No.   |
|------------|------------|
| RH drainer | 567.30.100 |
| LH drainer | 567.30.000 |

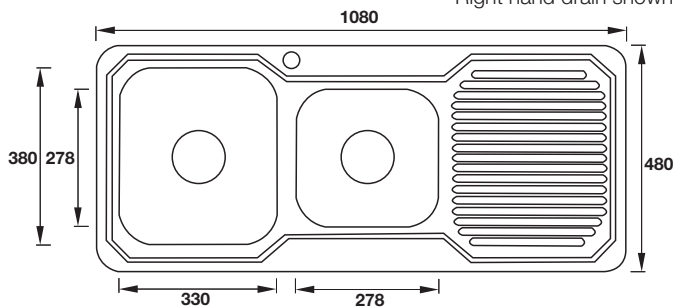
Packing: 1 piece

**Supplied with:**  
2 Designer wastes (2 x 567.34.991)

## 1 & 3/4 Bowl Sink



Right hand drain shown



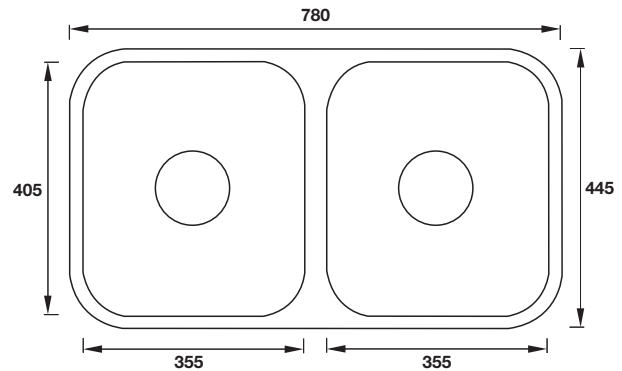
- Size: 1080 x 480 x 170 (L x W x D)
- Finish: Polished, stainless steel with rolled edge

| Handing    | Cat. No.   |
|------------|------------|
| RH drainer | 567.30.110 |
| LH drainer | 567.30.010 |

Packing: 1 piece

**Supplied with:**  
2 Designer wastes (1 x 567.34.991 & 1 x 567.34.990)

## Undermount Double Bowl Sink



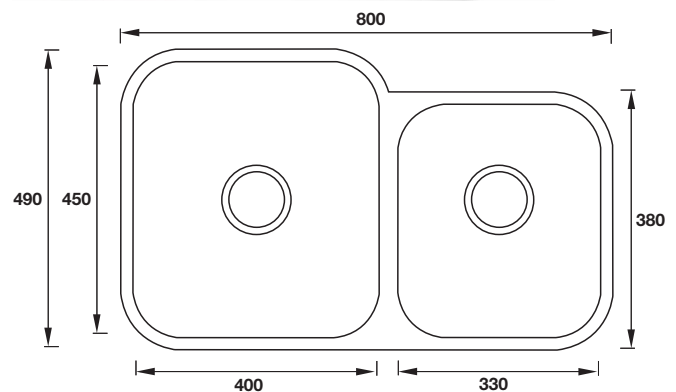
- Size: 780 x 445 x 180 (L x W x D)
- Finish: Polished, stainless steel

| Cat. No.   |
|------------|
| 567.33.106 |

Packing: 1 piece

**Supplied with:**  
2 Designer wastes (2 x 567.34.991)

## Undermount 1 & 3/4 Bowl Sink



- Size: 800 x 490 x 190/170 (L x W x D)
- Finish: Polished, stainless steel

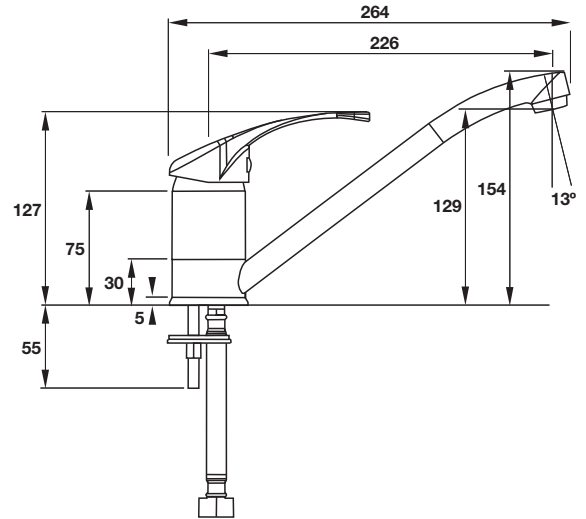
| Cat. No.   |
|------------|
| 567.33.116 |

Packing: 1 piece

**Supplied with:**  
2 Designer wastes (1 x 567.34.991 & 1 x 567.34.990)

## Taps

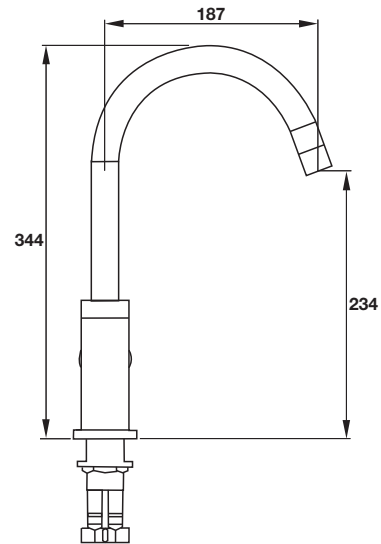
### Mixer Tap 40 mm



|                  |                        |
|------------------|------------------------|
| Polished chrome  | Cat. No.<br>566.58.200 |
| Packing: 1 piece |                        |



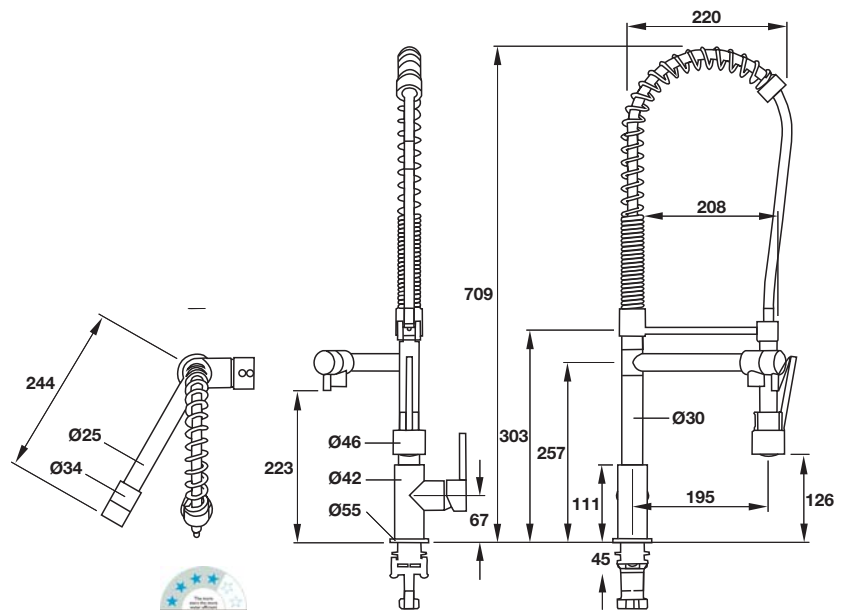
### Mixer Tap Gooseneck



|                  |                        |
|------------------|------------------------|
| Polished chrome  | Cat. No.<br>566.58.220 |
| Packing: 1 piece |                        |



### Mixer Tower With flexible extension



|                  |                        |
|------------------|------------------------|
| Polished chrome  | Cat. No.<br>566.58.230 |
| Packing: 1 piece |                        |



Dimensions in mm Dimensional data not binding. We reserve the right to alter specifications without notice.

**Note:** Not for commercial use.

**HÄFELE AUSTRALIA PTY. LTD.**  
State Offices

**Victoria (Head Office)**  
T: (03) 9212 2000  
F: (03) 9212 2001  
E: info@hafele.com.au

**New South Wales**  
T: (02) 8788 2200  
F: (02) 8788 2201  
E: nsw@hafele.com.au

**A.C.T. & Southern NSW**  
T: (02) 6202 2800  
F: (02) 6228 1418  
E: act@hafele.com.au

**Northern New South Wales**  
T: (02) 8788 2200  
F: (02) 4921 0901  
E: nsw@hafele.com.au

**Queensland**  
T: (07) 3307 8900  
F: (07) 3307 8901  
E: qld@hafele.com.au

**South Australia**  
T: (08) 8232 9933  
F: (08) 8232 9977  
E: sa@hafele.com.au

**Western Australia / N.T.**  
T: (08) 9209 8000  
F: (08) 9249 3328  
E: wa@hafele.com.au

**Tasmania**  
T: (03) 6331 7106  
F: (03) 6334 6414  
E: tas@hafele.com.au

**Design Centres**  
**Melbourne Design Centre**  
T: (03) 9212 2000  
F: (03) 9652 3701  
E: info@hafele.com.au

**Sydney Design Centre**  
T: (02) 8788 2200  
F: (02) 8302 2101  
E: nsw@hafele.com.au

**Brisbane Design Centre**  
T: (07) 3307 8900  
F: (07) 3307 8901  
E: qld@hafele.com.au

**Perth Design Centre**  
T: (08) 9249 3833  
F: (08) 9215 6101  
E: wa@hafele.com.au

**Hobart Design Centre**  
T: (03) 6331 7106  
F: (03) 6334 6414  
E: tas@hafele.com.au

**HÄFELE NEW ZEALAND LTD.**  
Offices and Design Centres

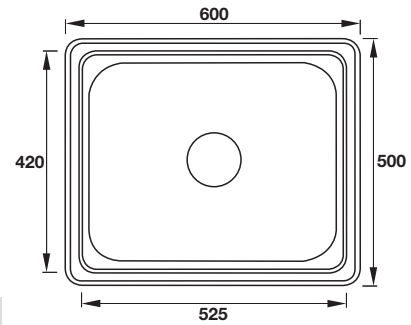
**Häfele (NZ) Head Office**  
**Eastern Design Centre**  
T: (09) 274 2040  
F: (09) 274 2041  
E: info@hafele.co.nz

**Auckland Design Centre**  
T: (09) 274 2530  
F: (09) 274 2531  
E: architectural@hafele.co.nz

**Wellington Design Centre**  
T: (04) 472 0294  
F: (04) 472 0295  
E: wellington@hafele.co.nz

**Christchurch Design Centre**  
T: (03) 343 8200  
F: (03) 343 8201  
E: christchurch@hafele.co.nz

## Laundry Tub



- Size: 600 x 500 x 240 (L x W x D)
- Finish: Polished, stainless steel with laser cut edge

|  |            |
|--|------------|
|  | Cat. No.   |
|  | 567.30.120 |

Packing: 1 piece

**Note:** Bypass kit sold separately

**Supplied with:**

1 Designer waste (1 x 567.34.991)

## Accessories

### Accessory pack 1

To suit sinks 567.30.010 & 567.30.110



Chopping board



Plastic basket



SS wire basket

|  |            |
|--|------------|
|  | Cat. No.   |
|  | 567.34.900 |

Packing: 1 set

### Accessory pack 2

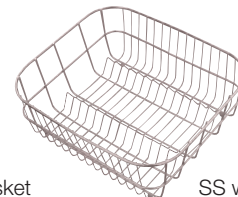
To suit sinks 567.30.000 & 567.30.100



Chopping board



Plastic basket



SS wire basket

|  |            |
|--|------------|
|  | Cat. No.   |
|  | 567.34.901 |

Packing: 1 set

### Designer Waste Short 70 mm



### Designer Waste Long 86 mm



### Bypass Kit

For laundry tub 567.30.120



|            |            |
|------------|------------|
|            | Cat. No.   |
| Short      | 567.34.991 |
| Long       | 567.34.990 |
| Bypass Kit | 567.34.980 |

Packing: 1 piece