



HIMMEL™

INTERIOR SYSTEMS

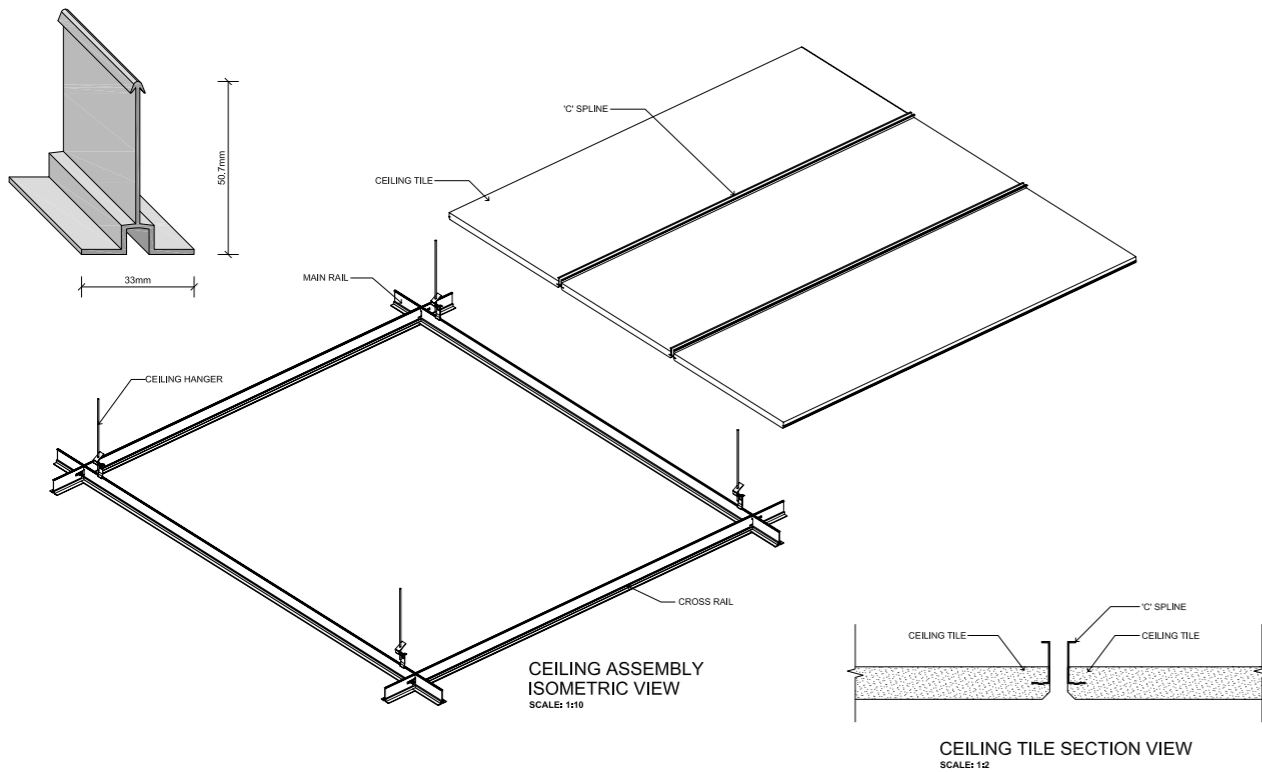
FRICKER ALUMINIUM GRID



FRICKER ALUMINIUM GRID

HIMMEL INTERIOR SYSTEMS IS A LEADING SUPPLIER OF ALUMINIUM SUSPENDED CEILING SYSTEMS, OFFERING A DIVERSE RANGE OF SOLUTIONS TO SUIT VARIOUS COMMERCIAL DEVELOPMENTS. INCLUDING OFFICES, EDUCATION, HEALTHCARE FACILITIES, RETAIL AND INDUSTRIAL DEVELOPMENTS.

MODULAR SYSTEM

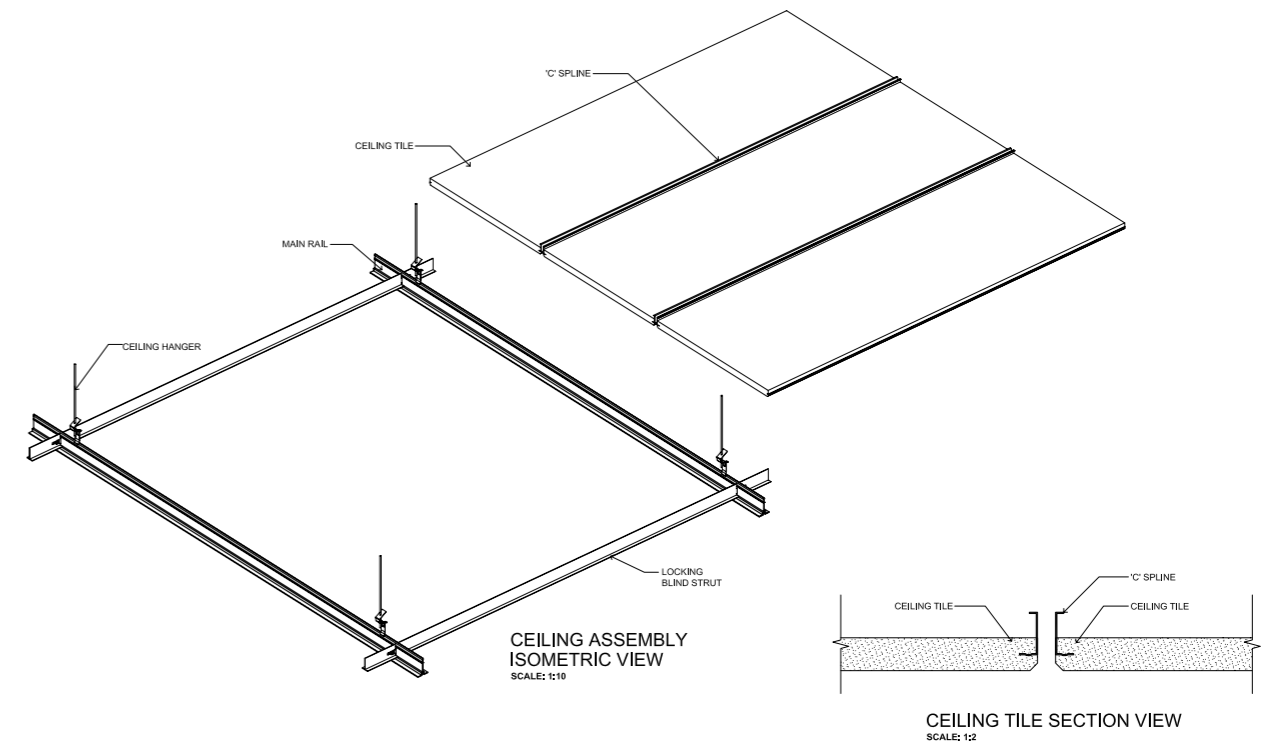


THE FRICKER MODULAR SYSTEM IS THE SYSTEM OF CHOICE FOR PREMIUM COMMERCIAL OFFICE DEVELOPMENTS. THE SYSTEM COMMONLY COMPRISES OF TWO TO FIVE CEILING TILES PER MODULE, REDUCING THE AMOUNT OF EXPOSED GRID. ALUMINIUM TOP HAT PROFILES ARE NEATLY MITRED FOR A QUALITY FINISH.

ITEM	PROFILE	LENGTH	HEIGHT	WIDTH
1200 x 1200 module*				
90729	Aluminium Top Hat Main Bar Mitred	3600mm	50mm	33mm
91307	Aluminium Top Hat Cross Tee	1200mm	50mm	33mm
128241	C Spline	1185mm	21mm	10mm
1350 x 1350 module				
90721	Aluminium Top Hat Main Bar Mitred	4050mm	50mm	33mm
91301	Aluminium Top Hat Cross Tee	1350mm	50mm	33mm
133327	C Spline	1333mm	23mm	11mm
1500 x 1500 module				
90741	Aluminium Top Hat Main Bar Mitred	4500mm	50mm	33mm
90522	Aluminium Top Hat Cross Tee	1500mm	50mm	33mm
89953	C Spline	1485mm	35mm	10mm

* Also available in flush face aluminum grid

ONE WAY SYSTEM

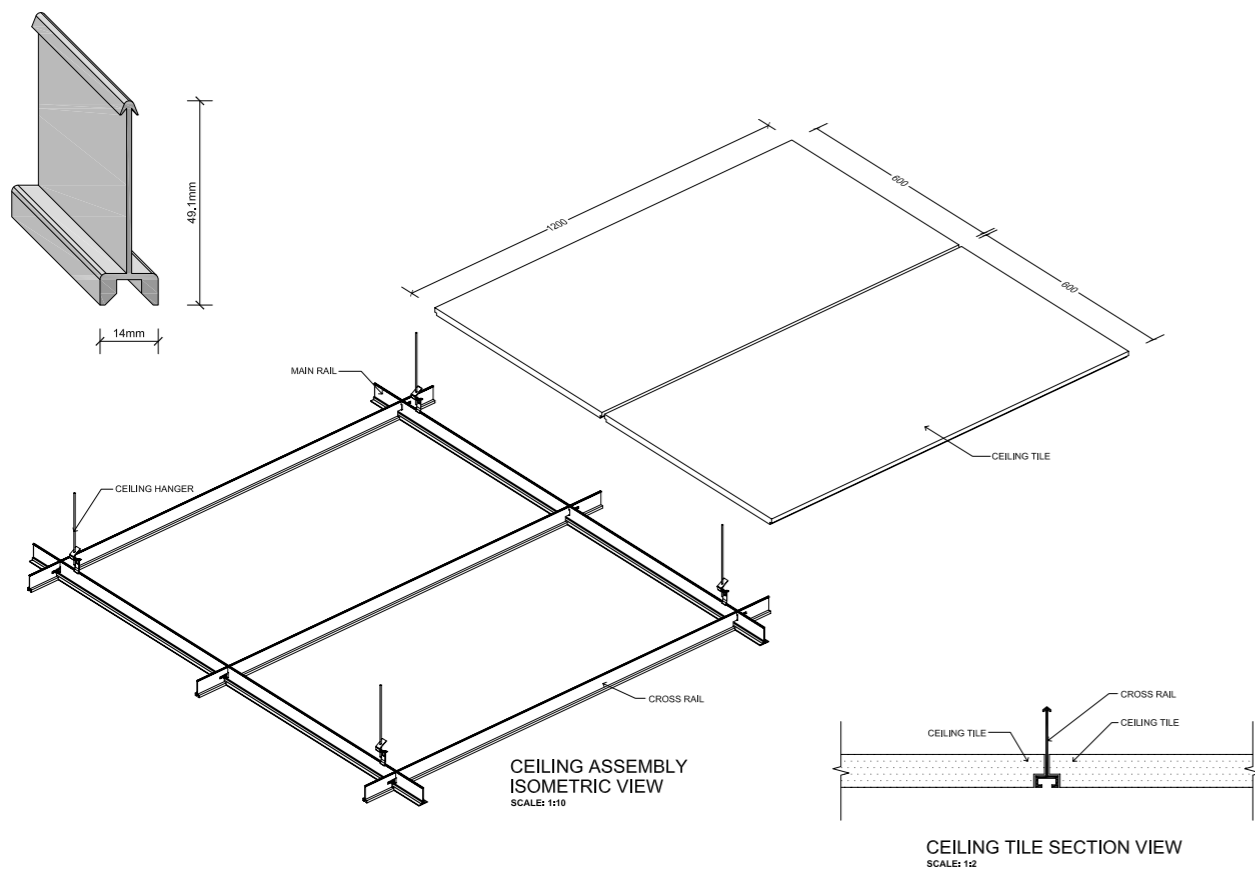


THE ONE WAY SYSTEM CONSISTS OF CEILING TILES SPANNING BETWEEN EXPOSED MAIN RUNNERS, SUPPORTED BY CONCEALED SPLINES AND LOCKING BLIND STRUTS. THE SYSTEM'S POPULARITY STEMS FROM THE SENSE OF OPEN SPACE IT CREATES.

ITEM	PROFILE	LENGTH	HEIGHT	WIDTH
1200 x 1200 module				
90727	Aluminium Top Hat Main Bar	3600mm	50mm	33mm
128241	C Spline	1185mm	21mm	10mm
90669*	Locking Blind Strut	1176mm	35mm	19mm
1350 x 1350 module				
193285	Aluminium Top Hat Main Bar	4050mm	50mm	33mm
133327	C Spline	1333mm	23mm	11mm
90668*	Locking Blind Strut	1326mm	35mm	19mm
1500 x 1500 module				
101850	Aluminium Top Hat Main Bar	4500mm	50mm	33mm
89953	C Spline	1485mm	35mm	10mm
193117*	Locking Blind Strut	1476mm	35mm	19mm

* Made to order

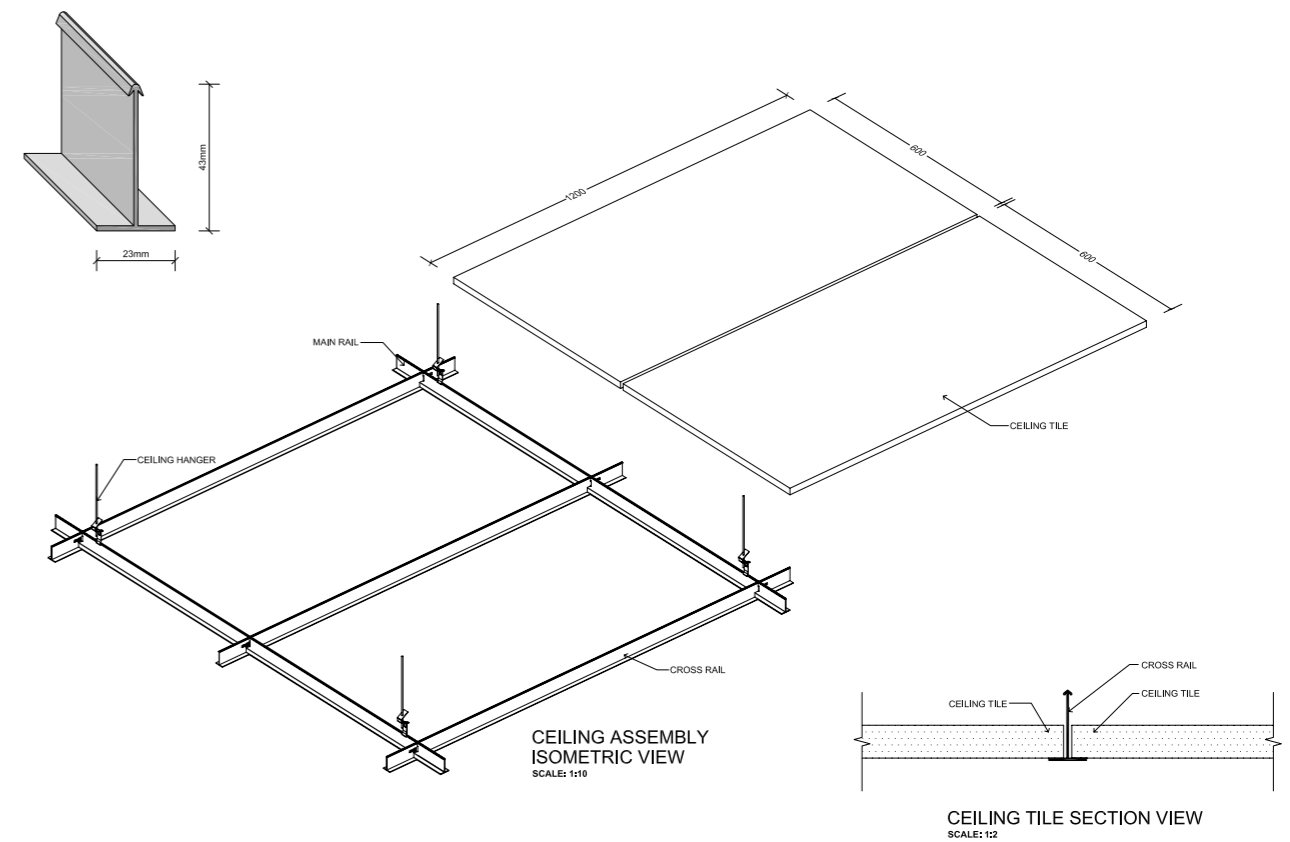
FRICKER INVERTED SLIMLINE GRID



THE FRICKER INVERTED SLIMLINE GRID IS A HIGH END ALUMINIUM CEILING GRID SYSTEM DESIGNED TO ENHANCE CEILING SPACES IN A GRADE CBD OFFICE BUILDINGS. THIS UNIQUE GRID SYSTEM CREATES AESTHETICALLY PLEASING DESIGNS AND CAN BE CUSTOMISED TO FIT TILES OF DIFFERENT SIZES.

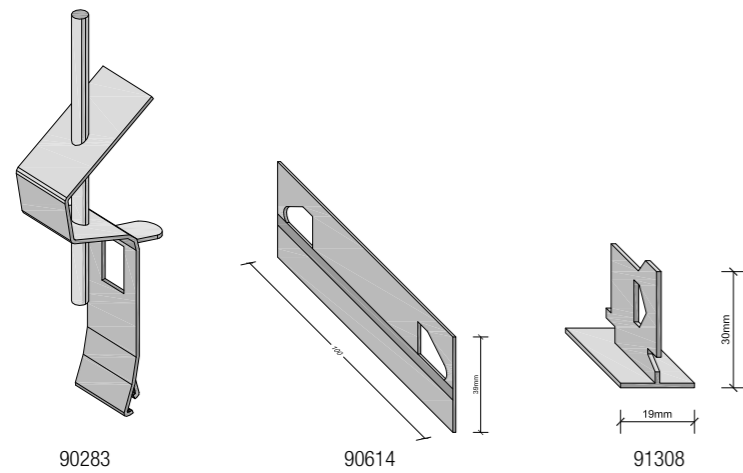
ITEM	PROFILE	LENGTH	HEIGHT	WIDTH
90617	Aluminium Inverted Slimline Main Bar	3600mm	49.1mm	14mm
90500	Aluminium Inverted Slimline Cross Tee	1200mm	49.1mm	14mm
90501	Aluminium Inverted Slimline Cross Tee	600mm	43mm	14mm

FRICKER 23MM FLUSH FACE GRID SYSTEM

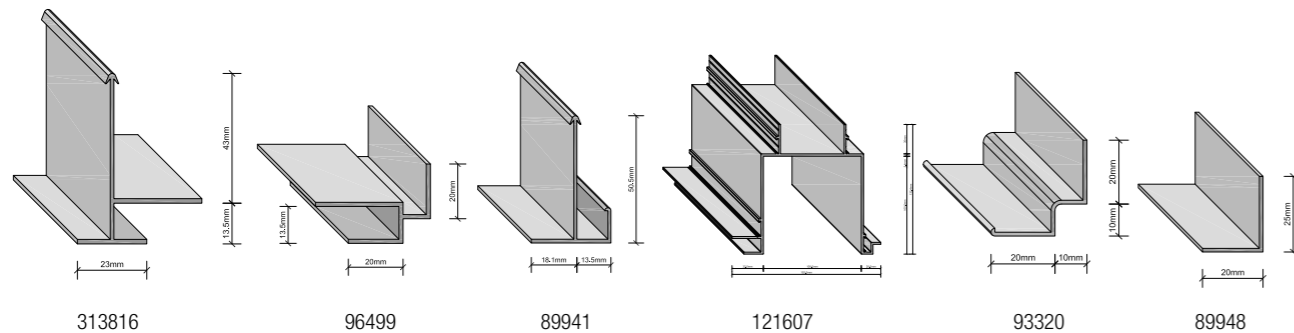


THE SIMPLE, YET FUNCTIONAL TWO WAY EXPOSED (TWE) CEILING IS OFTEN FOUND IN SUBURBAN OFFICES, INDUSTRIAL STYLE DEVELOPMENTS, ALONG WITH HEALTHCARE AND EDUCATION FACILITIES, PROVIDING A COST EFFECTIVE, YET PREMIUM LOOK. THIS SYSTEM CONSISTS OF ONLY ONE TILE PER MODULE, WITH BOTH THE MAIN RUNNER AND CROSS RUNNER EXPOSED.

ITEM	PROFILE	LENGTH	HEIGHT	WIDTH
90107	Aluminium Flush Face Main Bar	3600mm	43mm	23mm
90340	Aluminium Flush Face Cross Tee	1200mm	43mm	23mm
90343	Aluminium Flush Face Cross Tee	600mm	43mm	23mm



ITEM	PRODUCT	LENGTH	HEIGHT	WIDTH
90614	Main Bar Joiner Clip	102mm	39.5mm	-
90283	Suspension Clip	-	-	-
91308	Dead End Light Clip	-	-	-



ITEM	PRODUCT	LENGTH	HEIGHT	WIDTH
313816	Screwfix Main Runner	3660mm	47mm	23mm
96499	Screwfix Shadowline	3610mm	20mm	20mm
89941	Bulkhead Trim Plasterboard	3660mm	50mm	27mm
121607	Aluminium Pelmet	3600mm	100mm	100mm
93320	Aluminium Shadowline Wall Angle	3660mm	30mm	30mm
89948	Aluminium Wall Angle	3250mm	25mm	20mm

CSR HIMMEL MANUFACTURES A VARIETY OF CUSTOMISED ACCESSORIES FOR THE FRICKER GRID SYSTEM INCLUDING:

- COLUMN TRIM
- DIFFUSER CRADLE
- CURVED GRID
- LINEAR DIFFUSERS
- CUSTOM SIZE ALUMINIUM SUSPENSION SYSTEMS
- PELMETS CUSTOM SIZES AVAILABLE

Installation

Detailed assembly procedures, including drawings, are available on request and should be viewed in conjunction with these instructions. Technical assistance is also available on request.

Main runners are to be suspended at 1200mm centres (unless otherwise specified by CSR Himmel) within 75mm of joins, using a 5mm soft galvanised rod with an approved suspension clip fixed to the top arrow-head. Rods are to be fixed to the concrete slab by loxins as approved by the consulting engineer. Hangers are to be staggered to allow the easy removal of the ceiling tiles at a later date.

Hangers, main runners and cross-runners are to be spaced so as not to exceed the design load of 10.7kg/m² or as required to prevent excessive deflection.

Main runners are to be installed straight and level as per AS/NZ 2785-2000 and all in the same direction as identified by the triangular arrow punching. Provide bracing where necessary to prevent lateral movement.



Main runners are joined end to end by main runner joiner clips (MR – JC), which can be fitted by inserting the top under the arrowhead halfway down the main runner using an inwards rolling motion. The two located lugs on the MR-JC should be parallel

with the web of the main runner to lock the joiner clip into both main runners.

Main runners are fixed in place by cross runners in a Two Way System, and with locking blind strut splines (fixed every third tile) in a One Way System. Both have a male end and a female end and are to be assembled by inserting the male end through the slot provided in the main runner and then hooking the female end over to provide a continuous line of cross runners. The small tab on the top of the male end should be turned over with the aid of a screwdriver or rode into the slot on the female so as to positively lock both cross runners into position.

With the two way access mitred system the male end can only fit correctly on one side of the main runner due to the punching in the web being off centre to the face.

With the 600 x 600 Two Way Exposed systems the 600mm cross runners are offset.

Where exposed members of the ceiling grid come into contact with the perimeter trim or A/C linear slots then these members must be screw fixed or pop riveted into position with a suitable angle bracket at the end.

The Shadowline Wall Angle (WA-SL) shall be securely fastened to the wall at 600mm centres providing a true level edge. It has two location lips, one on the top of the lower horizontal leg and one on the lower vertical leg. Exposed members can be locked into the wall angle using a double width saw cut. Lead times for manufacturing of Fricker Aluminium Grid may be applicable.

CSR Himmel offers a 10 year system warranty on all Fricker Aluminium Grid systems.

Maintenance

Marks can be removed using a soft damp cloth with a mild liquid detergent. Stubborn marks may be removed using a soft cream cleanser on a soft damp cloth, however, excessive rubbing should be avoided as scratching or permanent marking of the powder coat surface may result.





HIMMEL™

INTERIOR SYSTEMS

1300 374 253 www.himmel.com.au

