

Doric is the largest privately owned hardware manufacturer in Australia supplying innovative and industry leading door and window hardware for Residential, Commercial, Timber, Security and Architectural applications.

If you need any type of hardware for windows and doors talk to us at Doric! We also can create customised product to give you a unique offering and competitive advantage in the market.

Melbourne

U1/34-36 Deans Crt,
Dandenong Sth, Vic 3175
Ph: (03) 9587 3195
Fax: (03) 9587 3196

Brisbane

U1/90 Pritchard Rd,
Virginia, QLD 4014
Ph: (07) 3865 7637
Fax: (07) 3865 7645

Perth

2 Meares Way
Canning Vale WA 6155
Ph: (08) 9248 4133
Fax: (08) 9248 4933

Adelaide

Unit 2 / 52 Wodonga St
Beverly SA 5009
Ph: (08) 8443 3370
Fax: (08) 8443 3066

Newcastle

2/100 Munibung Rd,
Cardiff, NSW 2258
Ph: (02) 4956 8508
Fax: (02) 4956 8495

Townsville

U1/42 Carmel St,
Garbutt, QLD 4814
Ph: (07) 4779 5122
Fax: (07) 4725 5495

Auckland NZ

32/D William Pickering Dr
Albany North Shore
NZ 0751
Ph : +64 9 415 5535
Fax: +64 9 415 5545

Asia Pacific

7 Jalan Bulan U5 / 170
Bandar Pinggiran Subang,
40150 Shah Alam
Selangor, Malaysia
Ph : +60 3 7845 5017
Fax: +60 3 7845 5014



HEAD OFFICE

160 Newton Rd,
Wetherill Park
NSW 2164
Ph: (02) 9609 2555
Fax: (02) 9604 2910

EMAIL CONTACTS

sales@doric.com.au

WEBSITE

www.doric.com.au

DS1250 Twin Point Bi Fold Lock

Bi-Fold Two-Point Lock



DS1250 Twin Point Bi Fold Lock

The Doric DS1250 Twin Point Bi Fold lock is suitable for use on hinged & bi fold aluminium doors and windows.

Combining breath taking aesthetics & modern architectural styling the DS1250 enhances the Doric reputation of high quality hardware that is unmatched in styling & look.

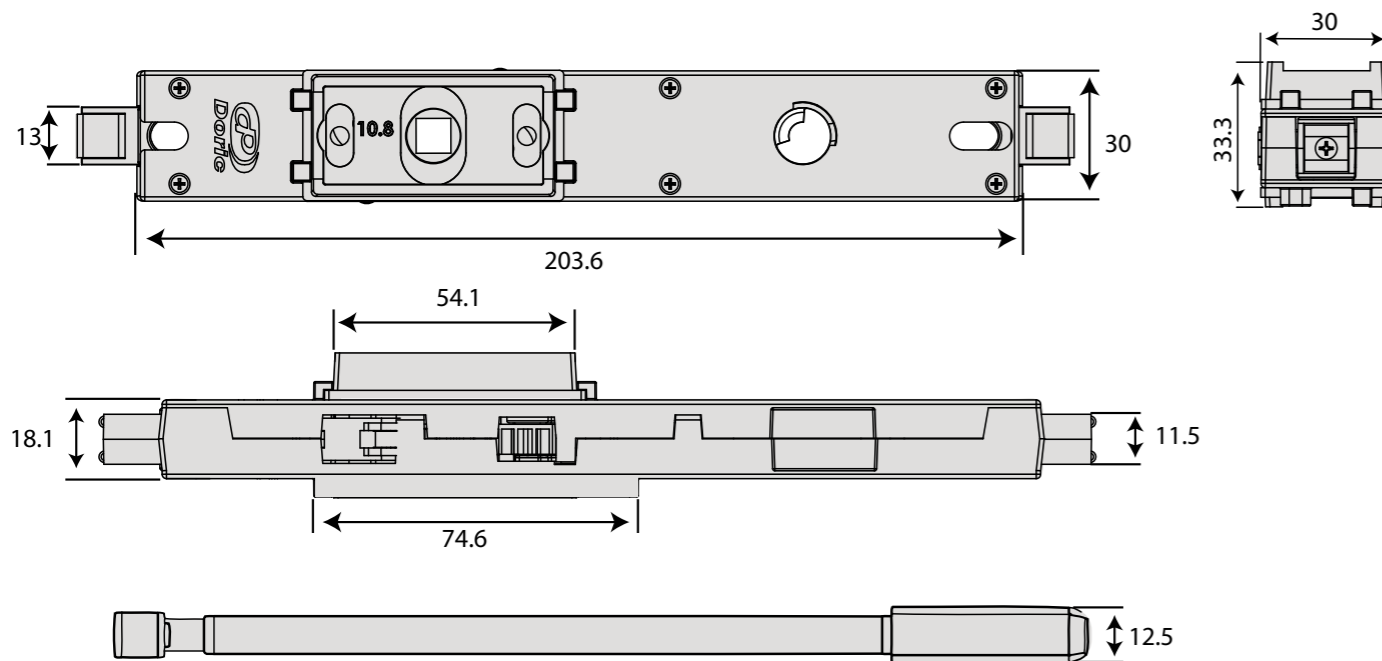
The DS1250 is suitable for use in Residential & Commercial applications for doors up to 2800mm in height.

Technical Specifications

Materials:	Zinc die cast construction
Finish Available:	Satin Nickel (SNK) & Doric Powdercoat Colours
Cylinder:	Provision for key locking through the use of the DS187 half cylinder

Product Benefits

- Ease of adjustment. Stainless Steel D shaped tips are threaded internally allowing simple and painfree adjustment of rod tip extension into the head & sill.
- The DS1250 is non handed, suitable for use on both left & right handed bi fold doors and windows.
- Extruded aluminium guide combined with a threaded rod connection provides ease of adjustment.
- No screws required when installing packers. Simply slide under tabs provided.
- The aesthetically pleasing furniture has the lowest possible stand off dimension allowing for the largest achievable leaf opening.
- Stainless Steel rods provide corrosion resistance.



Product Benefits

- Rod lengths as standard 1 m & 1.3m rods included.
- Adjustable Stainless Steel tips for corrosion resistance.
- Zinc die cast construction.
- Two points of engagement to secure the top & bottom of the door panel. This greatly improves the doors performance against forced entry & deflection in adverse weather.
- Packers to suit all door suites.
- Handle turns 90 degrees.
- Keyed alike to complimentary DS1500 #5 Swan 316 Stainless Steel French Door Furniture. This provides users with One key solution.
- Standard rod kit is suitable for doors up to 2800mm high.

How to Order

DS1250 / Finish / Cylinder Option / Key No.
 Lock SB DS187 96001

Cylinder Options:
 DS187 Half Cylinder



Related Products



DS1500 #5 Swan French Door Furniture



DS1295 Mortice Lock Body



DS1272 Euro Cylinder 5 Pin

