

Membrane Lined Insulated Gutter

Premium lightweight gutter system for boundary wall, valley and valley-hip applications

Membrane Lined Insulated Gutter

Product Data Sheet

Applications

Our membrane lined insulated gutter is suitable for boundary wall, valley and valley-hip applications.

Available Lengths

Standard sizes are available in lengths up to 6m. Our membrane lined insulated gutters can also be customised to suit project specific details if required. For more information please contact the Kingspan Technical Services Department.

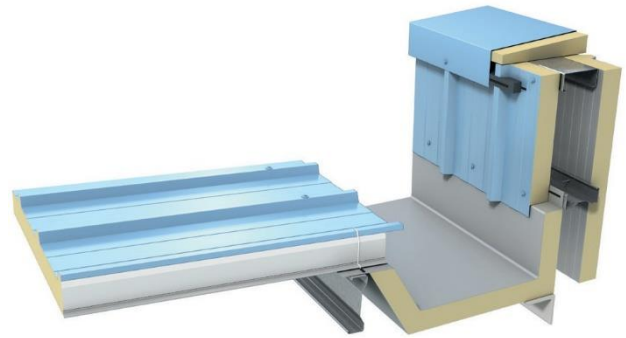
Dimensions, Weight & Performance

Core Thickness (mm)	60
Weight (kg/m ²) (0.6mm / 1.2mm top, 0.5mm liner)*	12.6
R-value (W/m ² K)	3.0

Notes:

* Based upon 1m² of top sheet, insulation and liner.

The R-value has been calculated using the method required by the appropriate National Building Regulations.



Internal Liner

- Kingspan Cleansafe 15
- Kingspan Collection
- Anti-Bacterial
- Kingspan AQUAsafe
- Kingspan AQUAsafe55

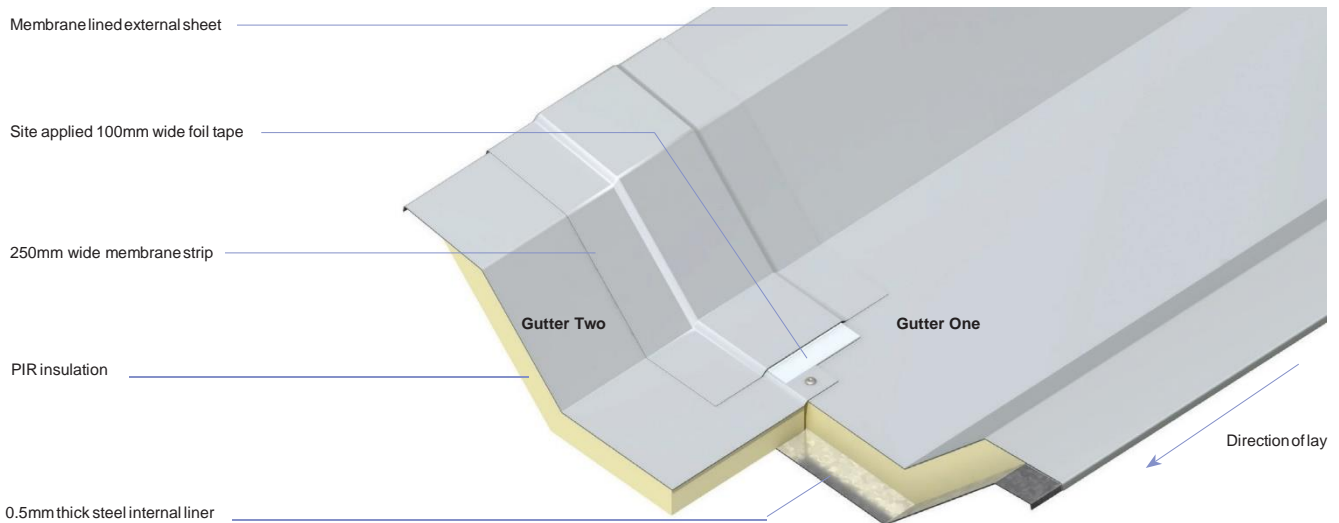
Coatings - External

IKO Armourplan PVC
0.6mm steel/0.6mm IKO membrane
Colour Mid Grey (RAL 7046)

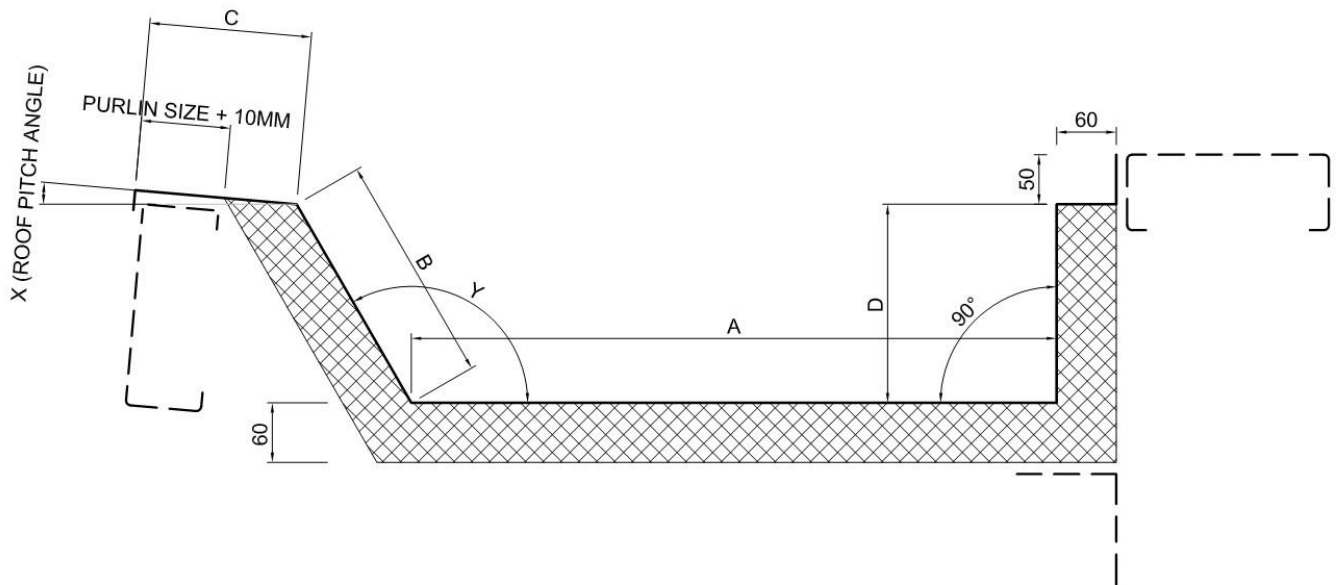
Product Tolerances





Cut to length (mm)	+3 / -3
Cover Width (mm)	+2 / -2
Thickness (mm)	+0 / -2
End Square (mm)	+3 / -3
Angles (degrees)	+1 / -1

Membrane Lined Insulated Gutter Detail



Design Requirements



Legend	
	0.6 / 0.6 Membrane
	Structural fixing members by others
	Internal bright white liner
	Kingspan PIR insulation

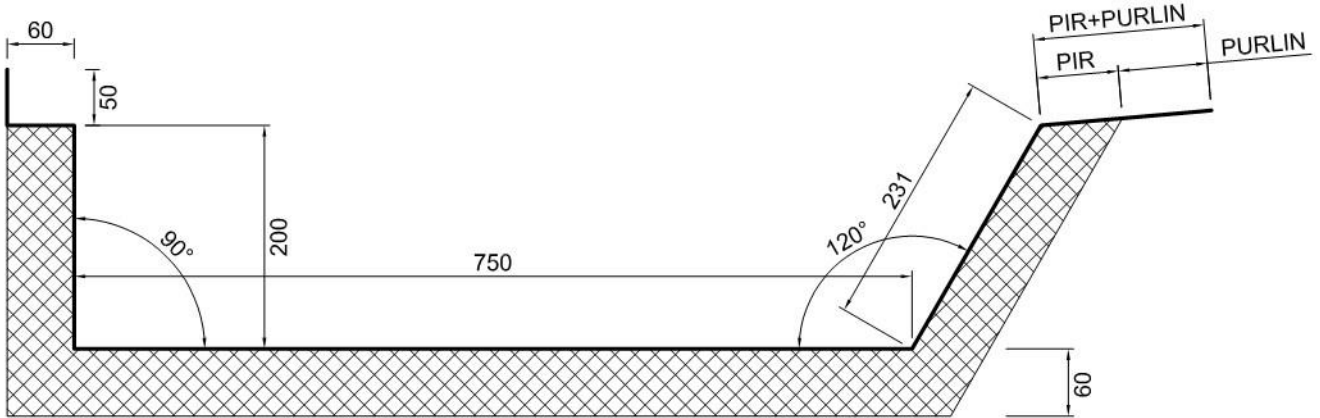
ig to sit over structural support with 10mm for steel tolerance

Y – Angle to be 120 degrees

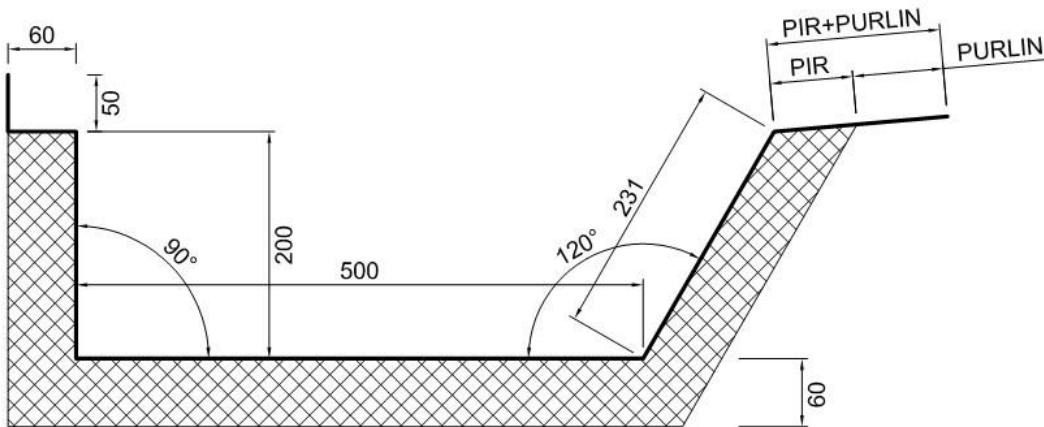
Design constraints

- Maximum membrane girth is 1450mm
- Maximum Kingspan parapet gutter is 750mm x 200mm to achieve same cross sectional area as a conventional 800mm x 200mm box gutter
- Maximum Kingspan valley gutter is 682mm x 200mm to achieve same cross sectional area as a conventional 800 x 200mm valley gutter
- Splayed side to gutter required for install purposes

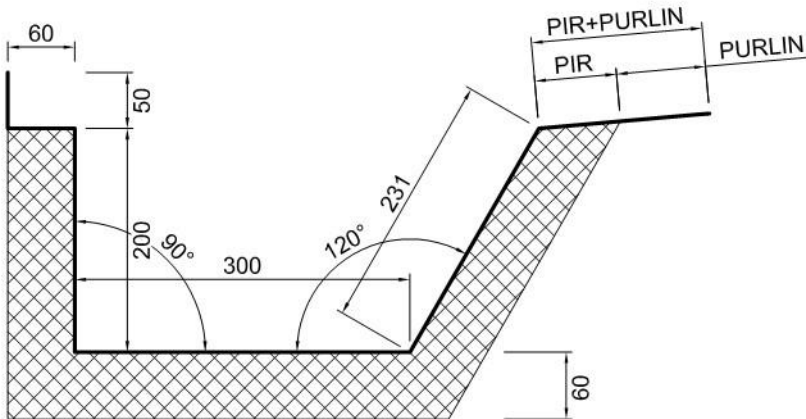
Standard Parapet Sizes



Membrane Girth - MG1500

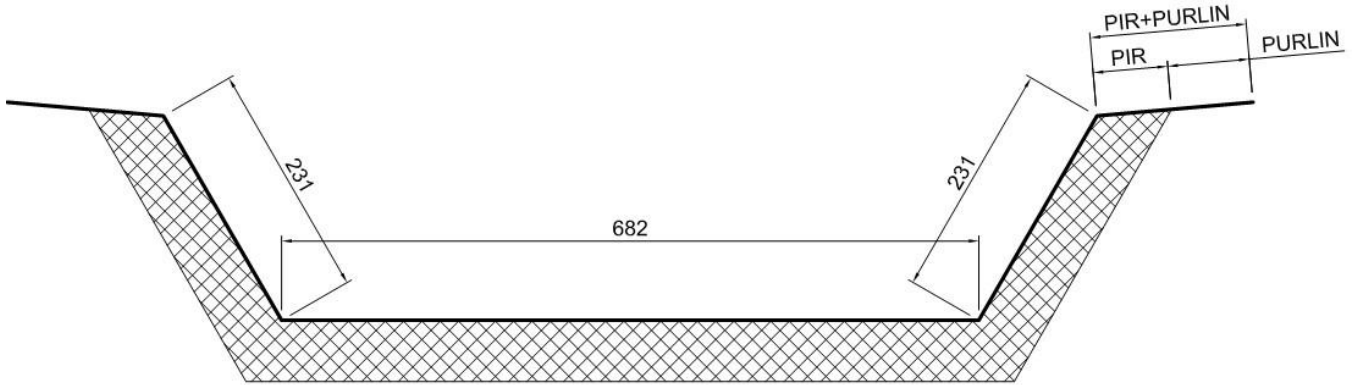


Membrane Girth - MG1200

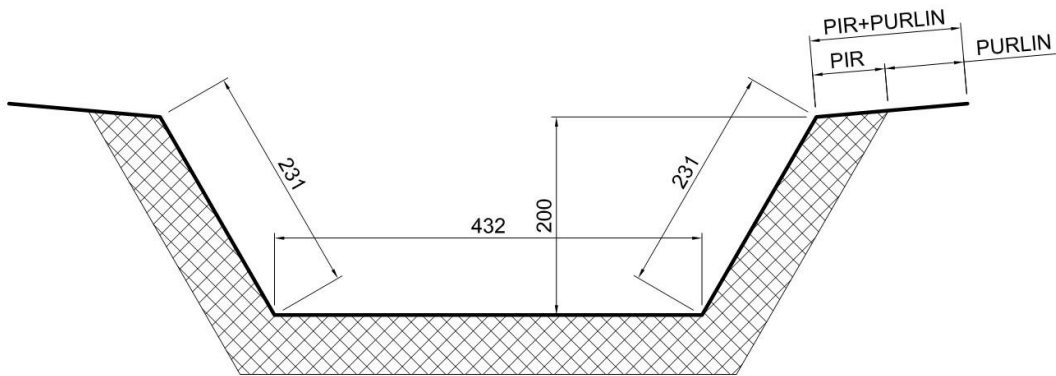


Membrane Girth - MG1000

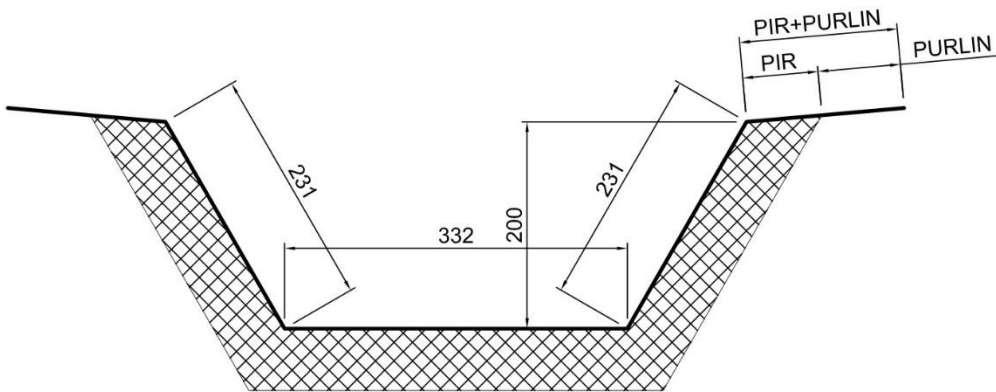
Standard Valley Gutter Sizes



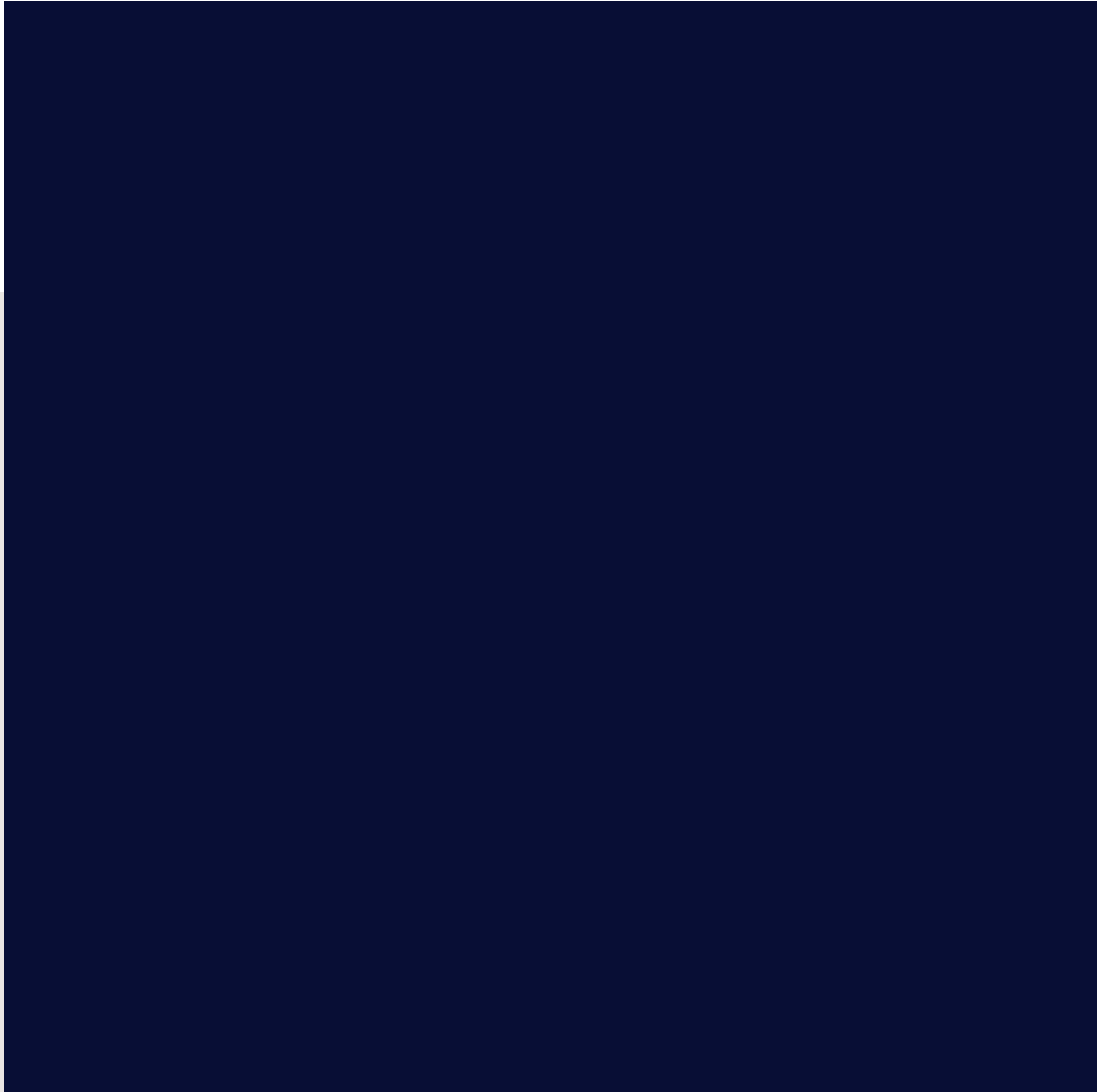
Membrane Girth - MG1500



Membrane Girth - MG1200



Membrane Girth - MG1000



For the product offering in other markets please contact your local sales representative or visit www.kingspanpanels.com

Care has been taken to ensure that the contents of this publication are accurate, but Kingspan Limited and its subsidiary companies do not accept responsibility for errors or for information that is found to be misleading. Suggestions for, or description of, the end use or application of products or methods of working are for information only and Kingspan Limited and its subsidiaries accept no liability in respect thereof.