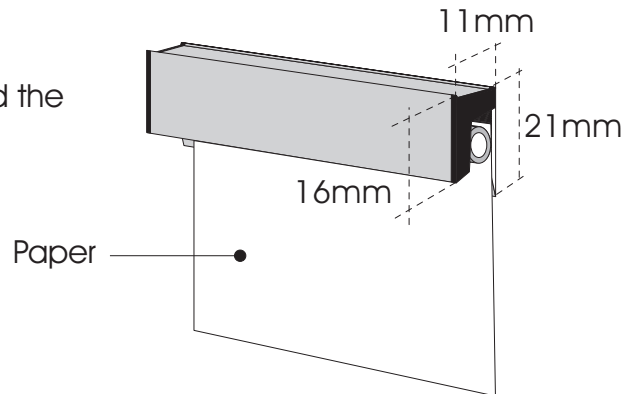


PAPER HANGER

Registered Design

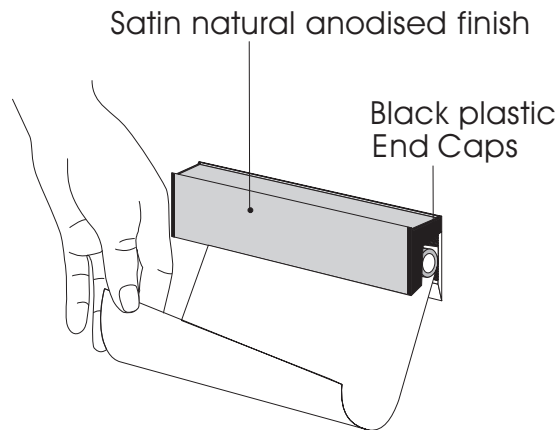
How It Operates

Insert the paper behind the aluminium rods.



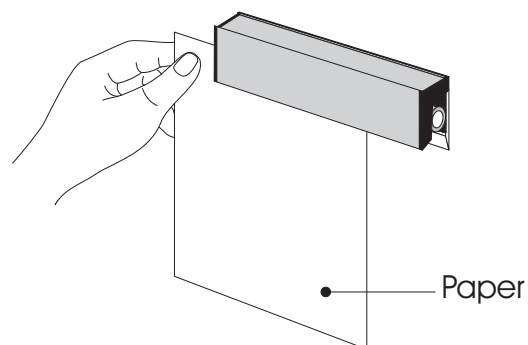
REMOVAL - OPTION 1

Take bottom of paper and lift up and forward.



REMOVAL - OPTION 2

Take the left or right side of paper and slide it out sideways.



NOTE:

Paper Hangers can be mounted to a 21mm High AM Series Insert or directly onto the wall or any other straight surface using double sided foam tape.

Maximum length available is 1900mm.