

cowdroy

EXPOSED 90

DECORATIVE SLIDING DOOR HARDWARE | 90KG PER DOOR



EXPOSED 90

90KG PER DOOR

DECORATIVE SLIDING DOOR HARDWARE

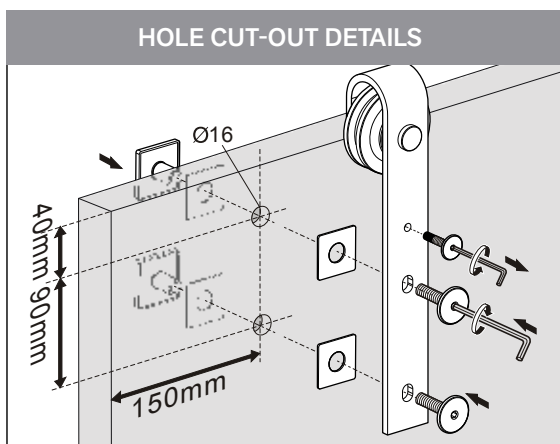
Cowdroy's new Exposed 90 Sliding Door Set is designed to add a special, sleek touch to the home or office. Incorporating a stylish industrial look and smooth functionality, it will modernise ordinary looking doors and doorways.

Featuring robust steel components combined with large, high-density rollers, this system is not only smooth and effortless to roll, it is extremely quiet in performance making it an ideal all-rounder for bathrooms, ensuites, laundries, bedrooms and hallways.

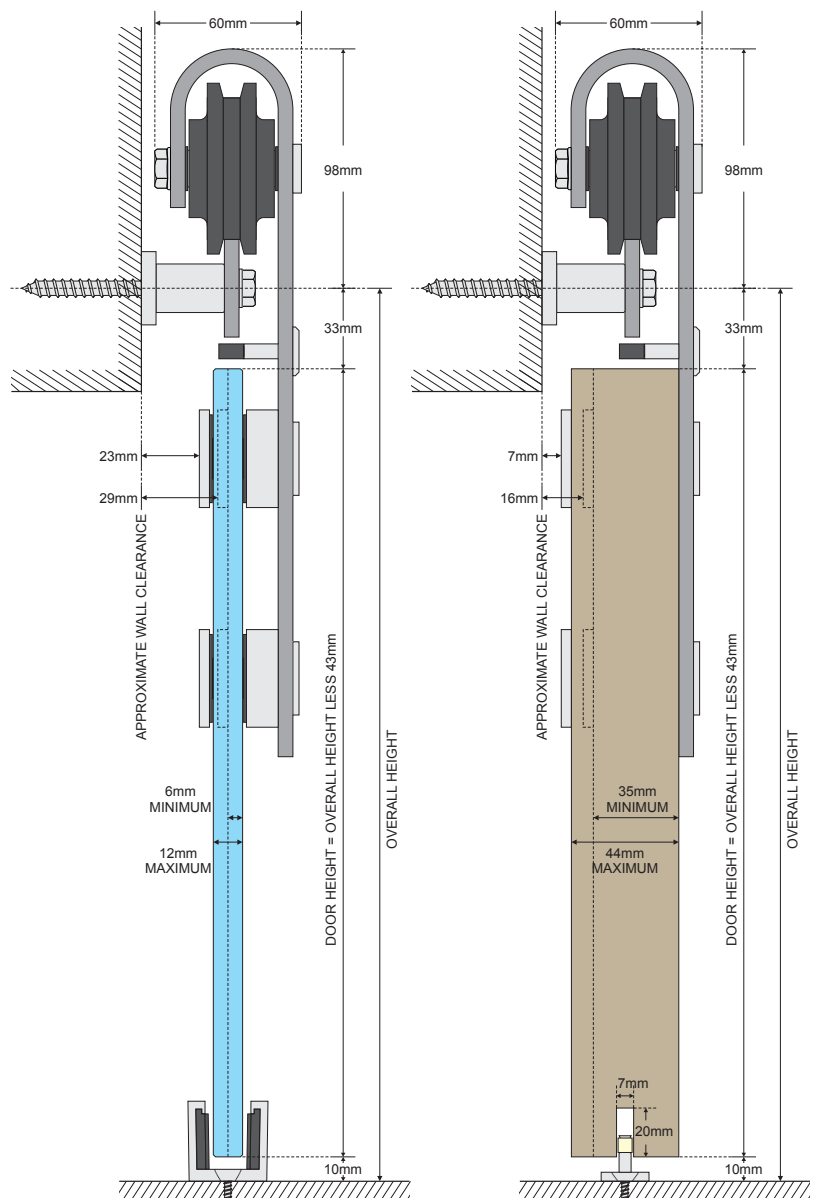
Available in a choice of full Stainless Steel or Powder Coat Black mild steel, the Exposed 90 system comes in a complete boxed set including all the hardware components, track and fittings for one door up to 1220mm wide.

FEATURES

- Choice of Stainless Steel or Powder Coat Black
- Robust hangers with large ergonomic wheels
- Pre-drilled steel track with wall mount fittings
- Suits both glass and timber doors up to 90kg
- Fixing hardware and easy-to-follow instructions



TECHNICAL SPECIFICATIONS	
Major Components (SS):	304 Stainless Steel
Major Components (Black):	Mild Steel
Track (Pre-drilled):	2450mm 40mm x 6mm
Roller:	
Wheel:	High density polymer
Load:	90kg/panel
Max. Opening Width:	1220mm
Min. Door Thickness (Timber):	35mm - 44mm
Min. Door Thickness (Glass):	6mm - 12mm
Colour & Code:	Stainless Steel (TT26020) Powder Coat Black (TT26028)



COMPONENTS



2450mm Track x 1



Hangers x 2



Glass door guide x 1



Wall spaces & bolts x 6



Timber door guide x 1



Track stops x 2



Glass Panel on
Stainless Steel



Timber Panel on
Powder Coat Black

Cowdroy is an Australian company supplying industry leading door and window hardware to retail, trade and architectural outlets.

Established in 1890, Cowdroy specialises in door tracking systems, window and door

seals, replacement wheels & rollers, sliding glass cabinet tracking systems and door hardware.

For all our product information visit the Cowdroy website at: www.cowdroy.com.au

HEAD OFFICE SYDNEY

38 Redfern St
Wetherill Park 2164
Phone: (02) 9604 3000
Fax: (02) 9604 8129
Sales Fax: (02) 9609 3694

WEBSITE

www.cowdroy.com.au

EMAIL

sales@cowdroy.com.au

NATIONAL CALL

1800 COWDROY (1800 269 376)

Melbourne

U1 / 34-36 Deans Court
Dandenong South, VIC 3175
Ph: 1800 269 376
Fax: (03) 9791 6759

Auckland NZ

18 Kerwyn Ave, East Tamaki
Auckland 2013
Phone: (09) 274 7279
Fax: (09) 274 4453

Perth

2 Meares Way
Canning Vale, WA 6155
Ph: (08) 9455 5354
Fax: (08) 9455 5461

Christchurch NZ

56 Treffers Road, Sockburn
Christchurch 8042
Phone: (03) 943 2060
Fax: (03) 943 2061

Hobart

ACCESS HARDWARE Pty Ltd.
Goodman Cres., Invermay,
Launceston, 7248
Ph: (03) 6324 4900
Fax: (03) 6324 4901

Adelaide

Unit 2/52 Wodonga St
Beverley, SA 5009
Ph: 1800 269 376
Fax: (02) 9604 8129

Brisbane

U1/ 90 Pritchard Rd
Virginia, QLD 4014
Ph: (07) 3265 3311
Fax: (07) 3265 3733

Townsville

U1/42 Carmel St,
Garbutt, QLD 4814
Ph: (07) 4779 5122
Fax: (07) 4725 5495

cowdroy



906_Exposed 90 Door Track System_July16

